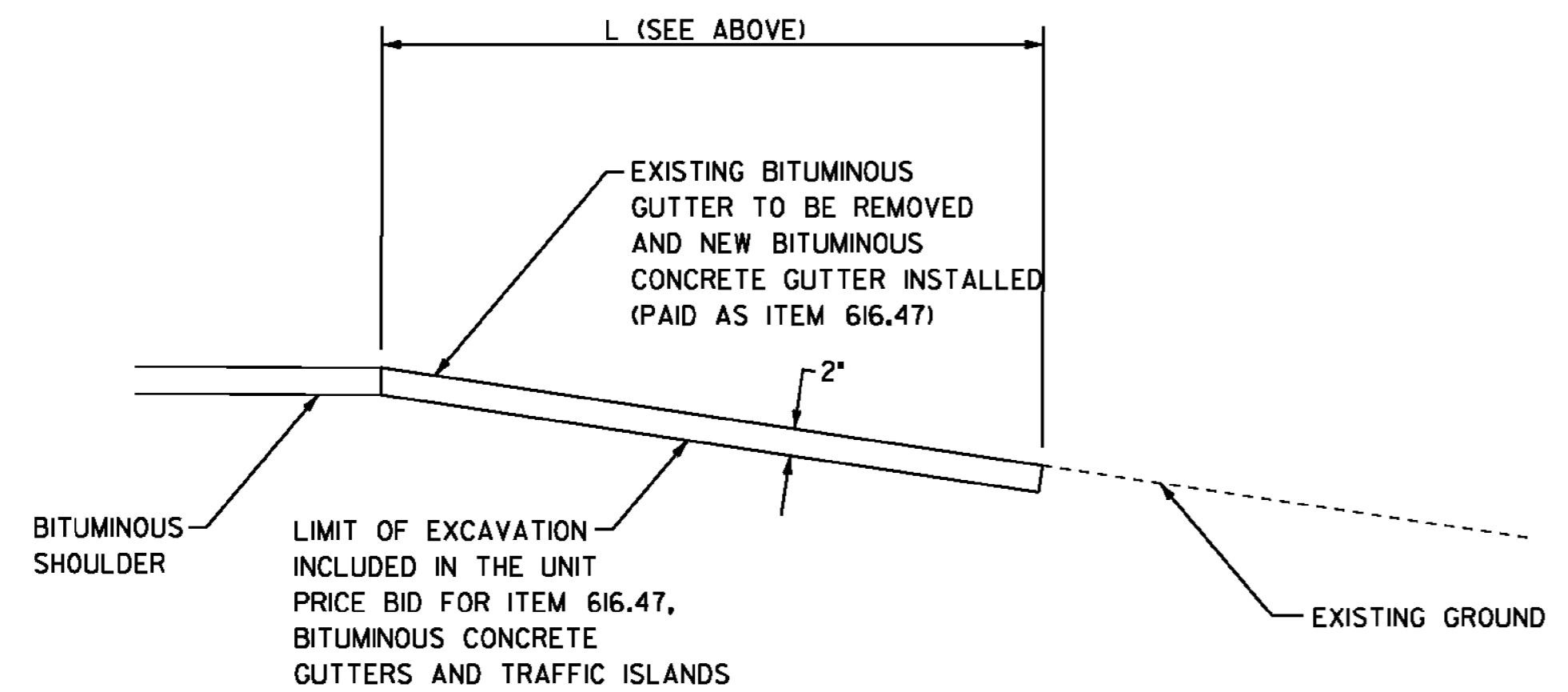


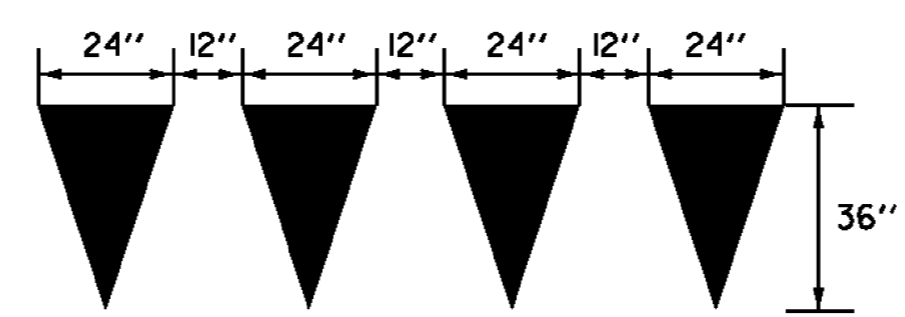
**BITUMINOUS GUTTER DETAIL**

DIMENSIONS = (L x W)  
 FOR ADDITIONAL DETAILS, SEE  
 VAOT STANDARD D-3

EXIT 26 RAMP B STA. 5+30, RT (20' X 4')  
 EXIT 26 RAMP B STA. 6+93, RT (20' X 4')  
 EXIT 26 RAMP B STA. 9+66, RT (20' X 5')  
 EXIT 26 RAMP C STA. 5+72, RT (20' X 4')  
 EXIT 26 RAMP C STA. 7+84, RT (20' X 4')  
 EXIT 26 RAMP C STA. 10+16, RT (20' X 5')  
 EXIT 26 RAMP C STA. 10+77, RT (20' X 4')

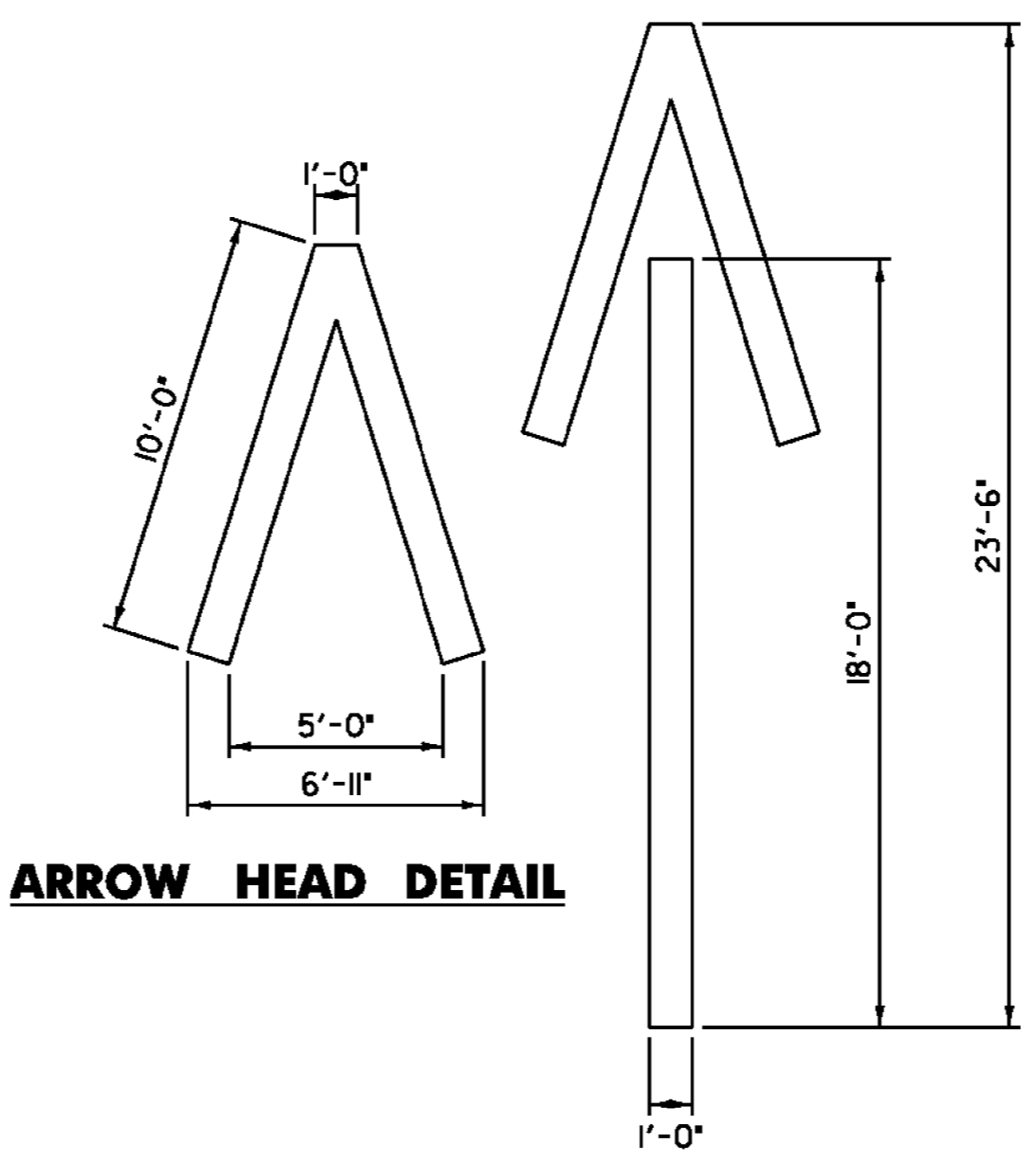


**SECTION A-A**



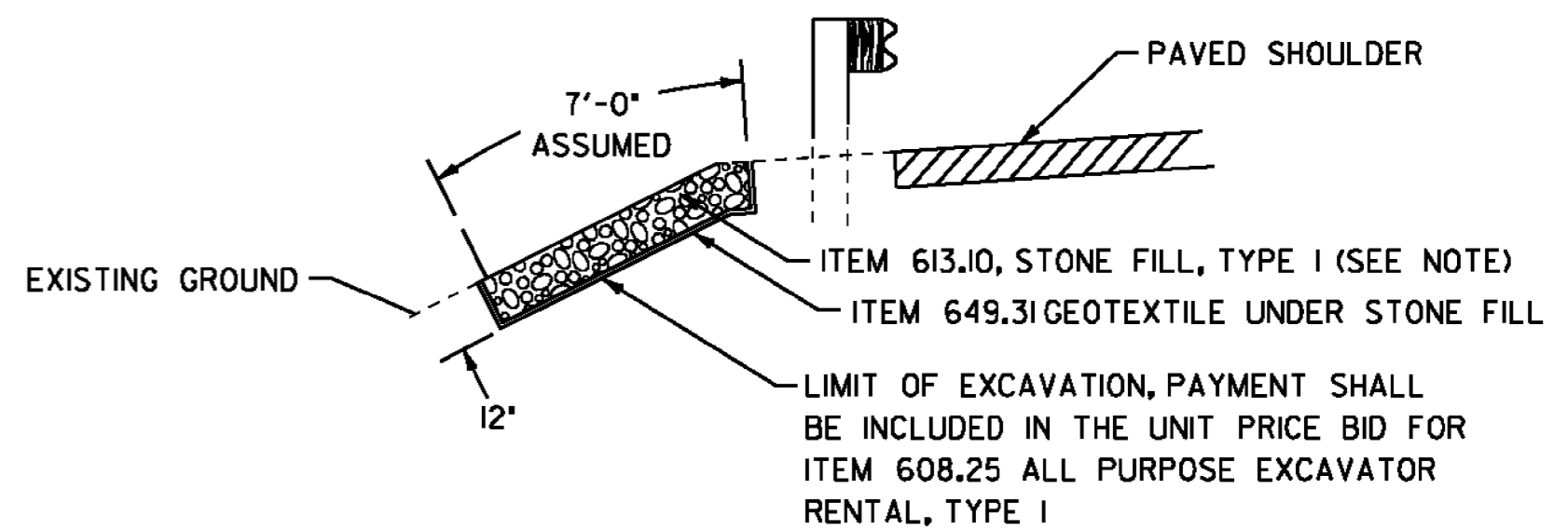
**YIELD LINE DETAIL**

TO BE INSTALLED ONLY AT THE  
 DIRECTION OF THE RESIDENT ENGINEER  
 TO BE PAID AS ONE DURABLE LETTER OR  
 SYMBOL, POLYUREA, PER TRIANGLE



**ARROW HEAD DETAIL**

**WRONG WAY ARROW**



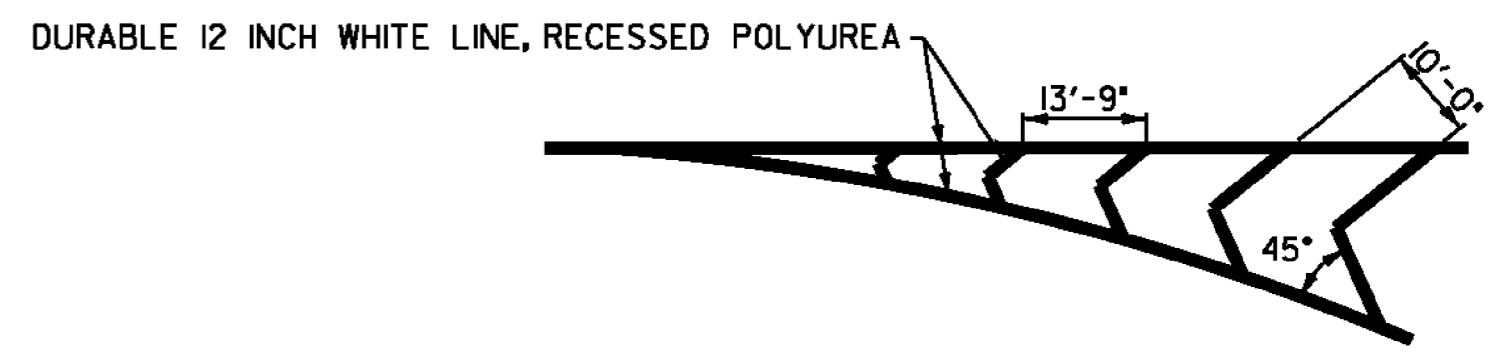
**SLOPE EROSION REPAIR DETAIL**

(ASSUME A 7' WIDTH X 6' LENGTH UNLESS OTHERWISE NOTED)

- NORTHBOUND
- ~~MM 157.41, RT~~
- ~~MM 159.267 - 159.270, RT (18')~~
- MM 160.929, RT
- MM 161.032, RT
- ~~MM 156.380 RT~~
- SOUTHBOUND
- MM 156.104 - 156.106, LT (15')
- ~~MM 160.259, RT~~
- ~~MM 160.274, LT~~
- ~~MM 160.338, RT~~
- ~~MM 160.357, RT~~
- ~~MM 160.362, RT~~
- MM 160.367, RT 160.370 LT & RT
- ~~MM 161.049, RT~~
- ~~MM 161.057, RT~~
- EXIT 25 RAMP D
- ~~MM 0.059, RT~~
- 0.080 RT

**NOTE:**

AN ESTIMATED QUANTITY OF ITEM 613.11 STONE FILL, TYPE II HAS BEEN INCLUDED FOR USE AS DIRECTED BY THE RESIDENT ENGINEER.



**GORE MARKING DETAIL**

SEE LAYOUT SHEETS FOR LOCATIONS

<b>MISCELLANEOUS DETAIL SHEET</b>	<b>NOT TO SCALE</b>	
	PROJECT NAME: BARTON-IRASBURG	PLOT DATE: 06-JUL-2011
	PROJECT NUMBER: IM 091-3(48)	DRAWN BY: STANTEC
	FILE NAME: p07a286.dgn	CHECKED BY: STANTEC
DESIGNED BY: STANTEC	SHEET 38 OF 40	
IPARM FILE: p07a286md.i		

