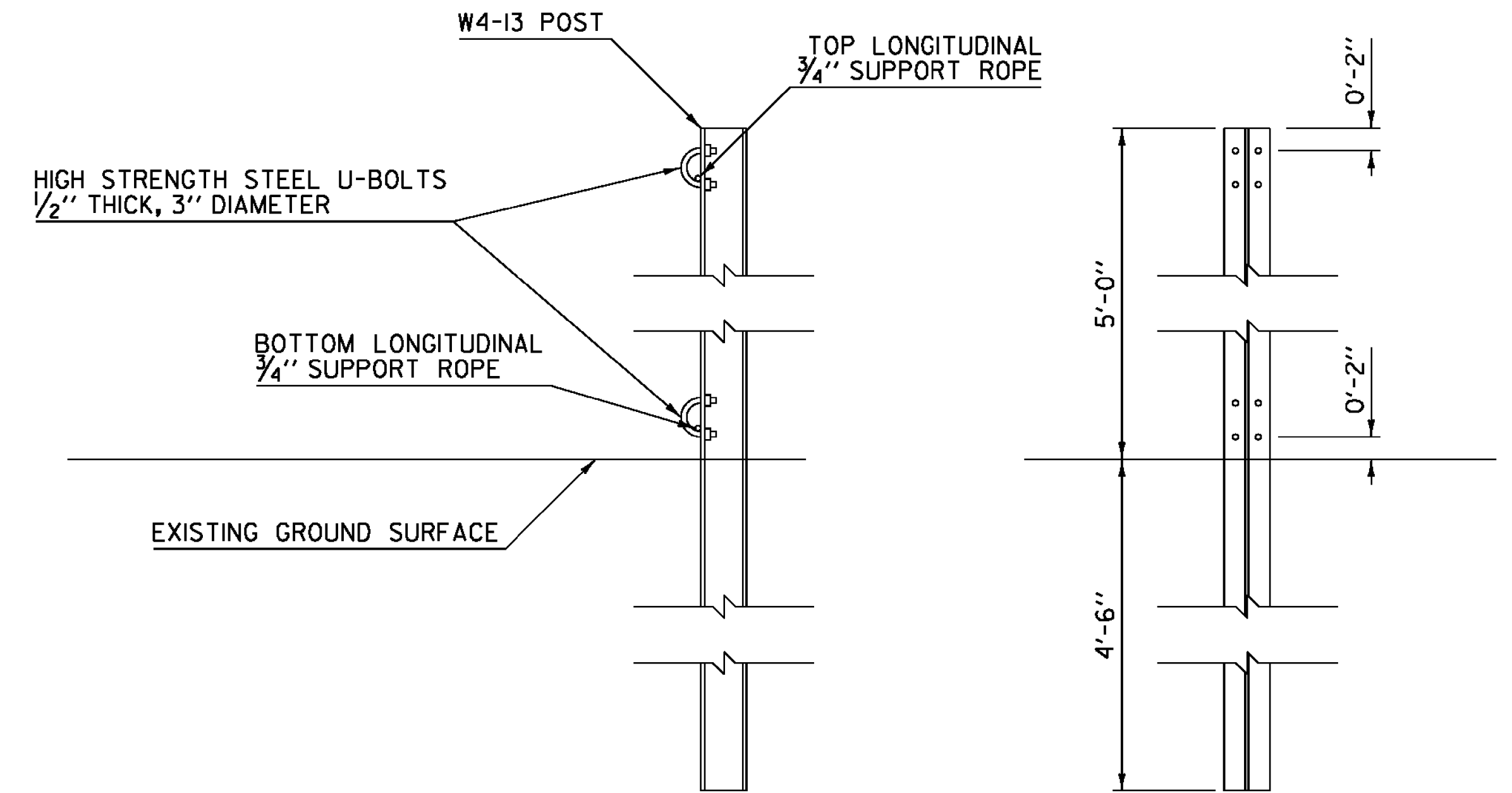
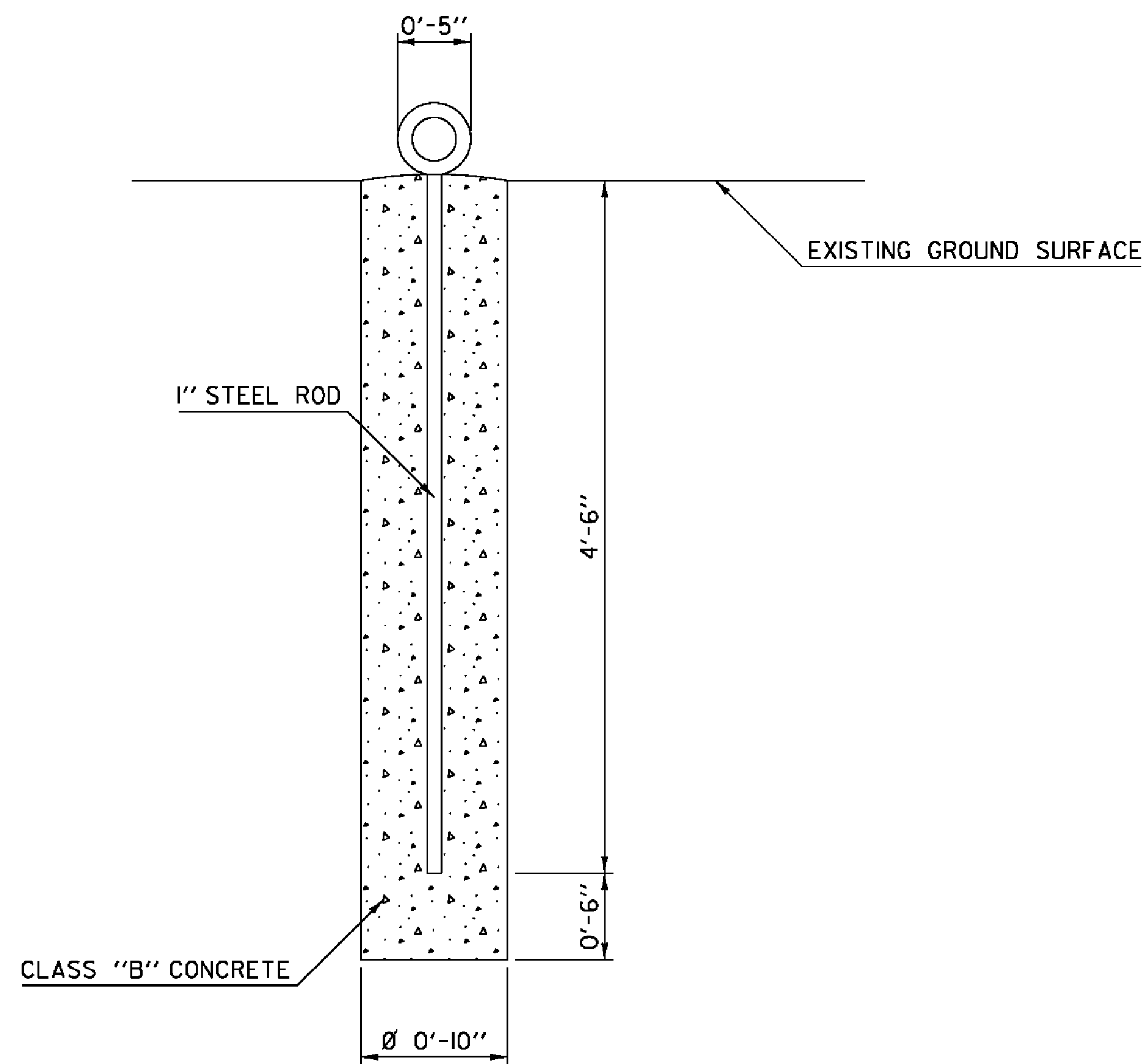


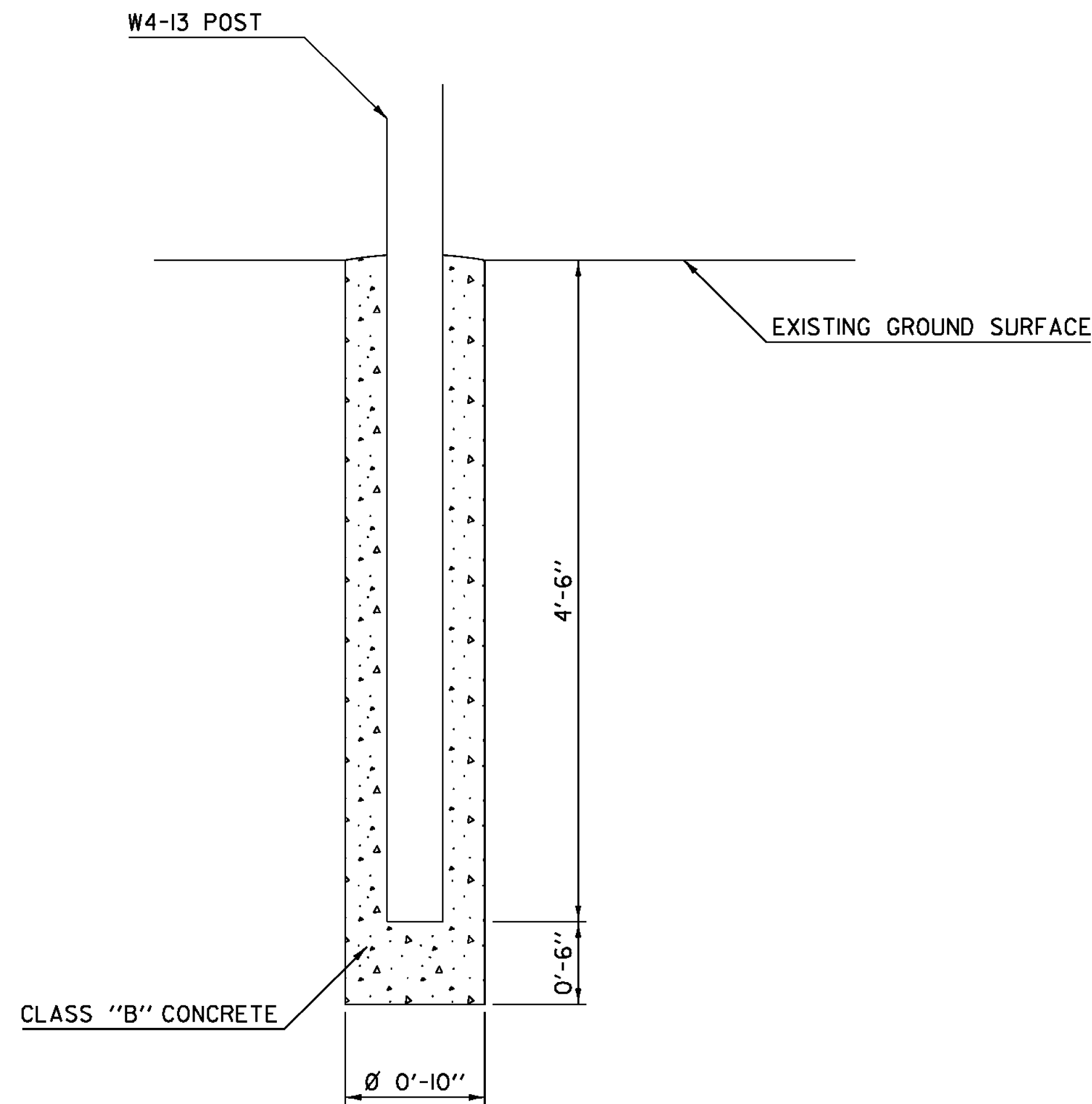
WIRE ROPE LOOP DETAIL



POST DETAIL



WIRE ROPE ANCHOR DETAIL



FOUNDATION DETAIL

NOTE:

PAYMENT FOR ROCKFALL BARRIER FENCE WILL BE MADE UNDER CONTRACT ITEM 900.640 SPECIAL PROVISION (ROCKFALL BARRIER FENCE).

**SPECIAL PROVISION
(ROCKFALL BARRIER FENCE)**

NOT TO SCALE

PROJECT NAME:	BERLIN - MONTEPELIER
PROJECT NUMBER:	IM 089-1(53)
FILE NAME:	07A150/DESIGN/D07A150FRM.DGN
PLOT DATE:	19-OCT-2011
PROJECT LEADER:	K. ROBIE
DRAWN BY:	P. PELOQUIN
DESIGNED BY:	P. PELOQUIN
CHECKED BY:	S. MENARD
DETAIL SHEET 2	SHEET 4 OF 29