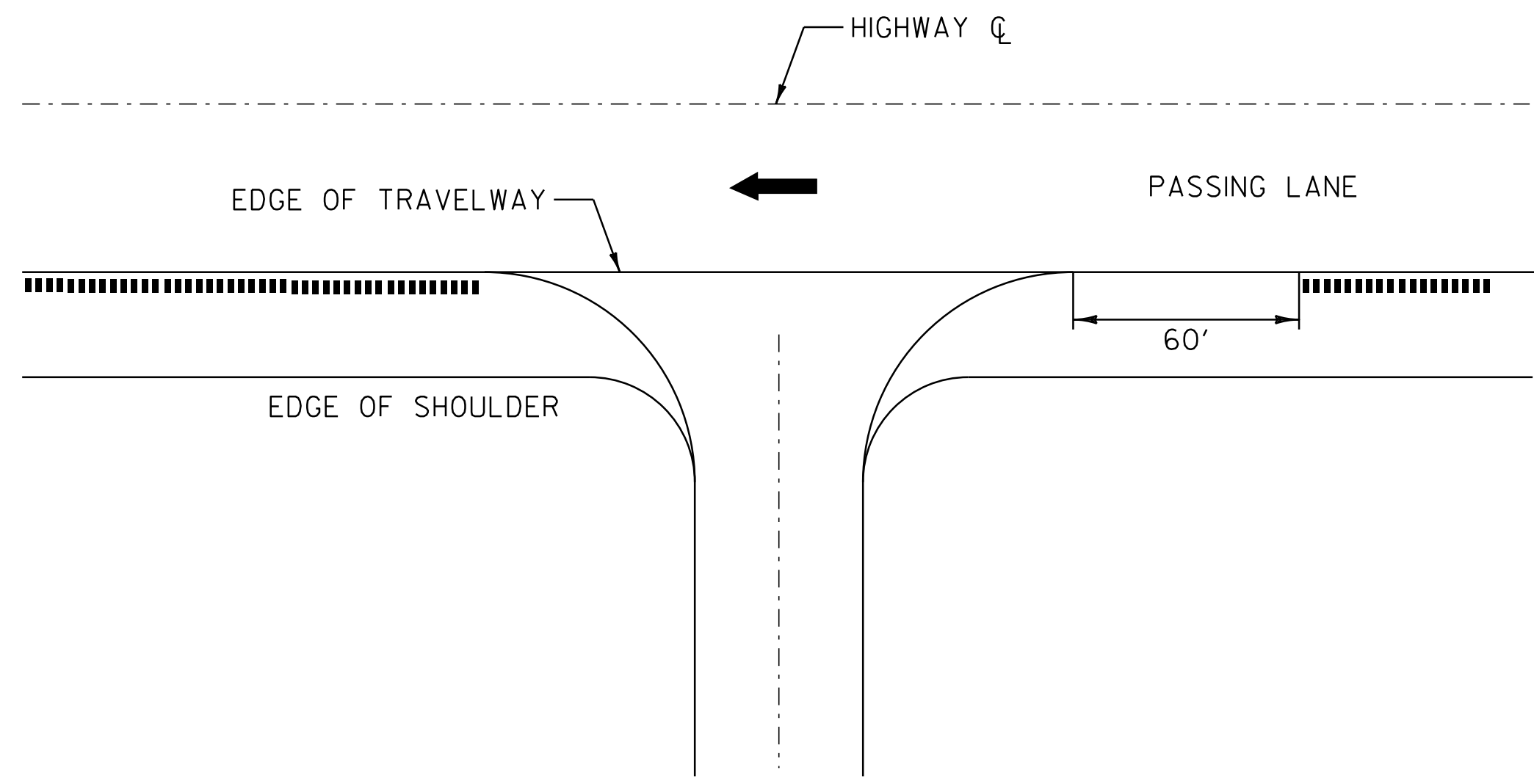
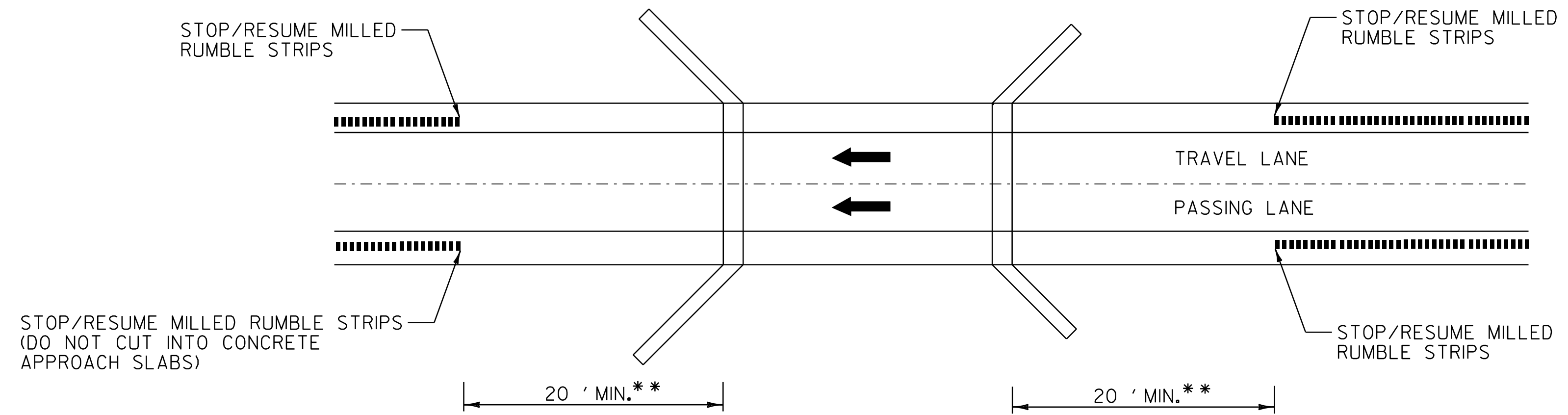


SECTION A-A
TYPICAL RUMBLE STRIP MILLING DETAIL

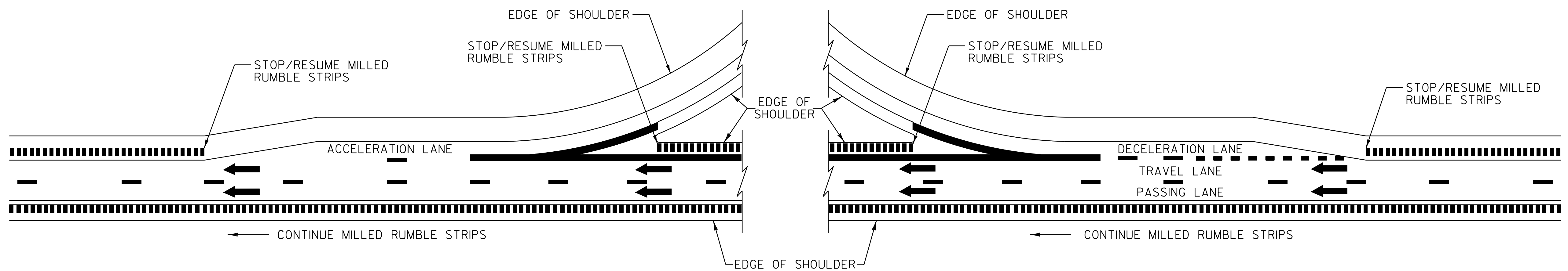


U-TURN DETAIL



BRIDGE DETAIL

** BRIDGE RAIL WILL DETERMINE MINIMUM DISTANCE IN SOME CASES.



TYPICAL MILLED RUMBLE STRIPS AT PARALLEL DECELERATION AND ACCELERATION LANES

- LEGEND**
- ← DIRECTION OF TRAFFIC FLOW
 - MILLED RUMBLE STRIPS

MILLED RUMBLE STRIP DETAIL SHEET	NOT TO SCALE	
	PROJECT NAME: WINDSOR - HARTLAND	PROJECT NUMBER: IM 091-(6)
	FILE NAME: p07al42.dgn	PLOT DATE: 16-AUG-2011 13:44
	PROJECT LEADER: D.E.G.	DRAWN BY: C.A.K.
DESIGNED BY: M.J.L.	CHECKED BY: R.A.B.	
IPARM FILE: p07al42mrs.i	SHEET 52 OF 56	