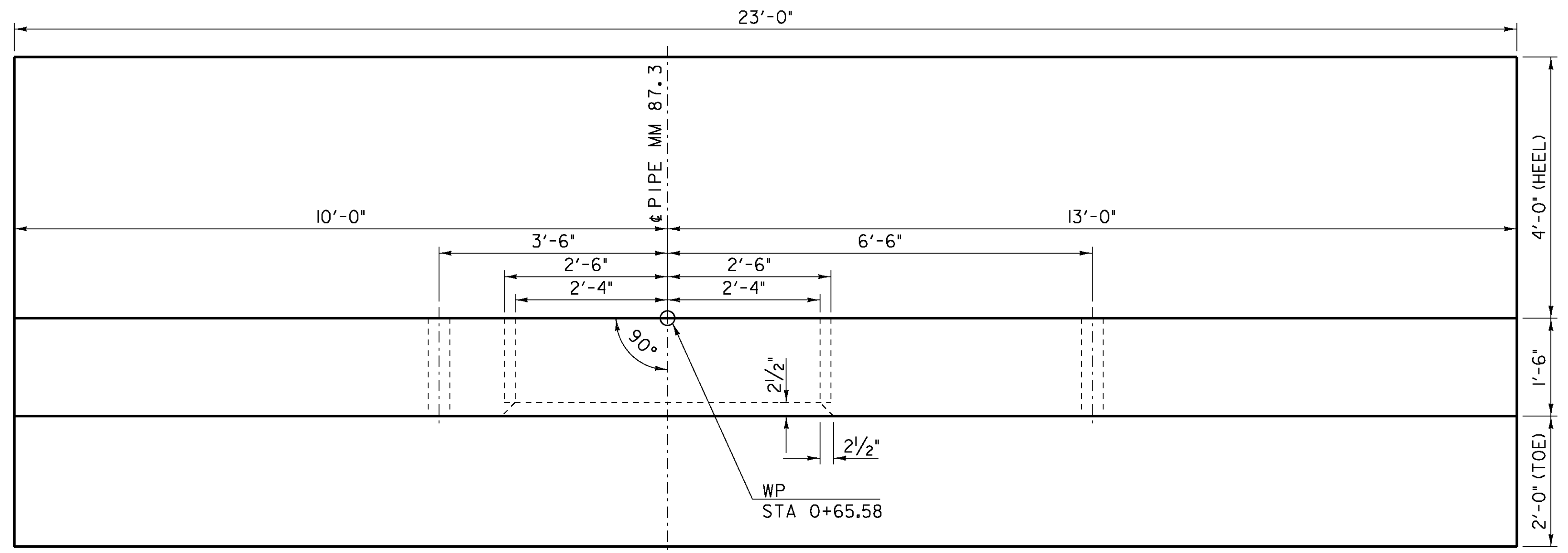
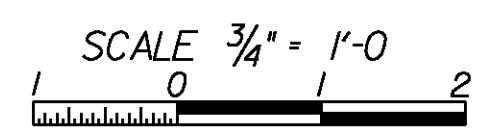
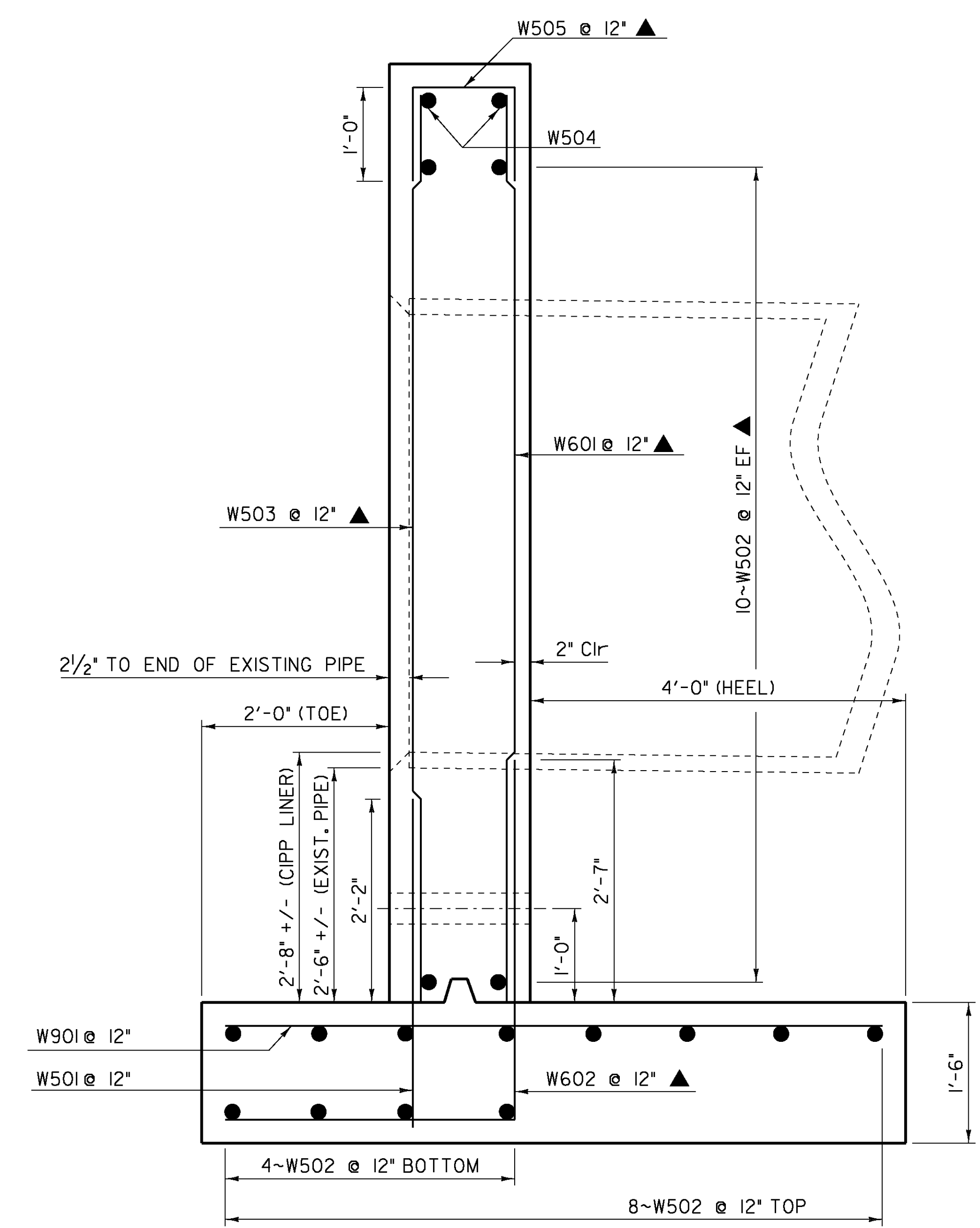
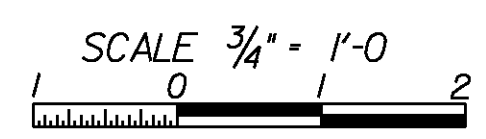


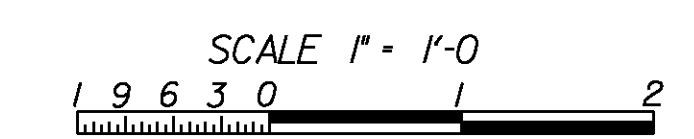
HEADWALL ELEVATION FOR MM 87.30



HEADWALL PLAN FOR MM 87.30



HEADWALL SECTION FOR MM 87.30



NOTE:
 NF - NEAR FACE
 FF - FAR FACE
 EF - EACH FACE
 ▲ - CUT TO FIT IN FIELD
 3" CLR. UNLESS OTHERWISE SPECIFIED ON THE PLANS.

PROJECT NAME: SOUTH BURLINGTON	PLOT DATE: 13-JAN-2010
PROJECT NUMBER: IM SCRP(3)	DRAWN BY: R. FOSTER
FILE NAME: Headwall.dgn	CHECKED BY: W. SYMONDS
PROJECT LEADER: K. UPMAL	DESIGNED BY: R. FOSTER
DESIGNED BY: R. FOSTER	MM 87.300 HEADWALL DETAIL
	SHEET 13 OF 69