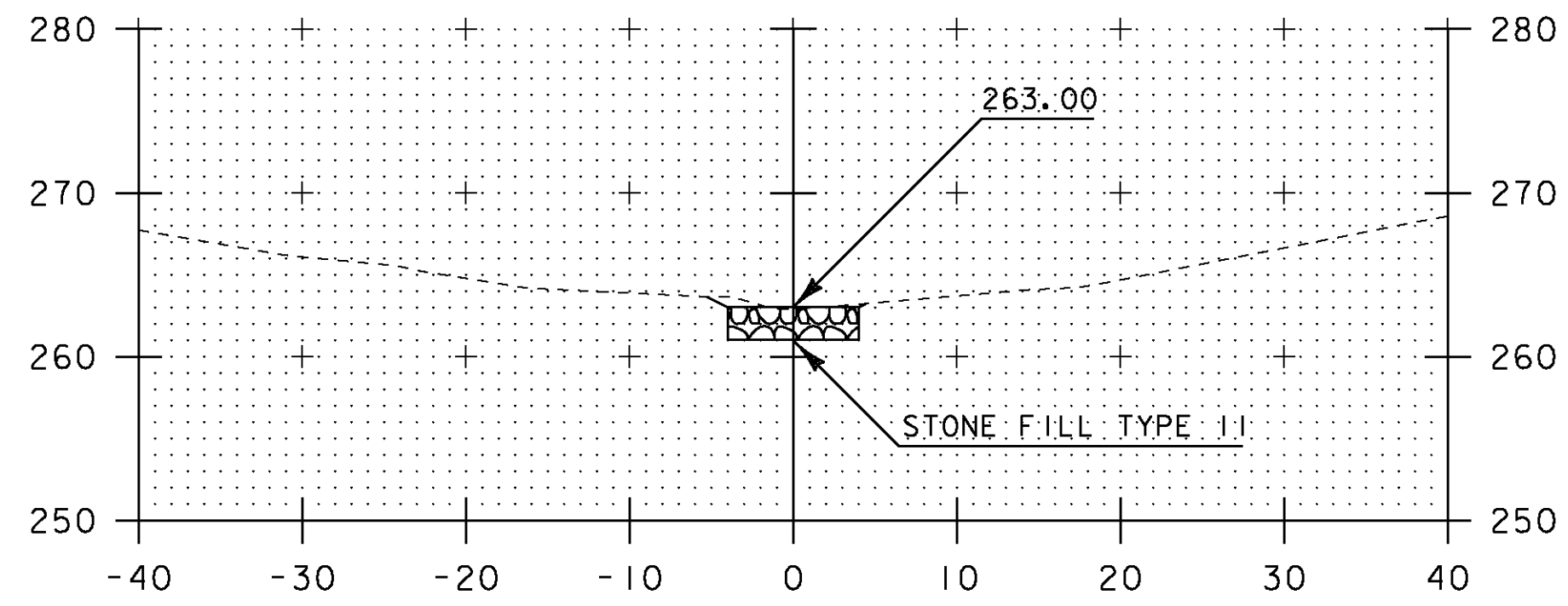
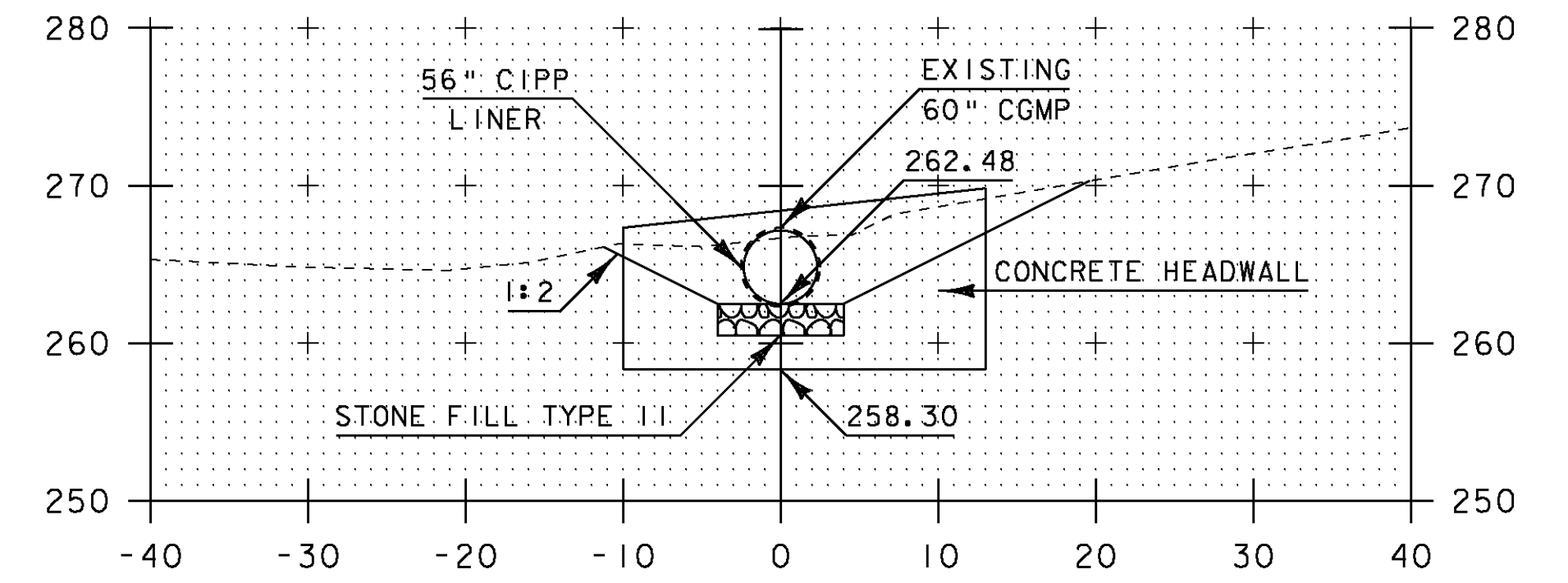


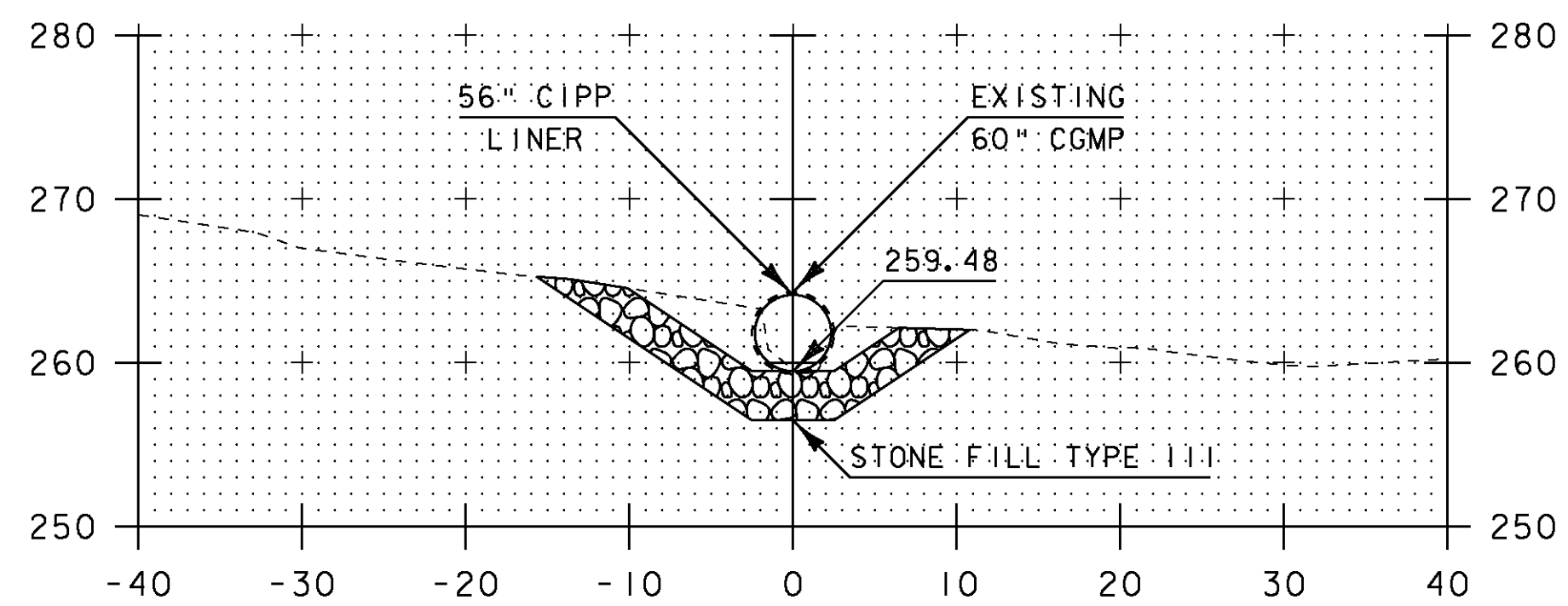
0+36
INLET



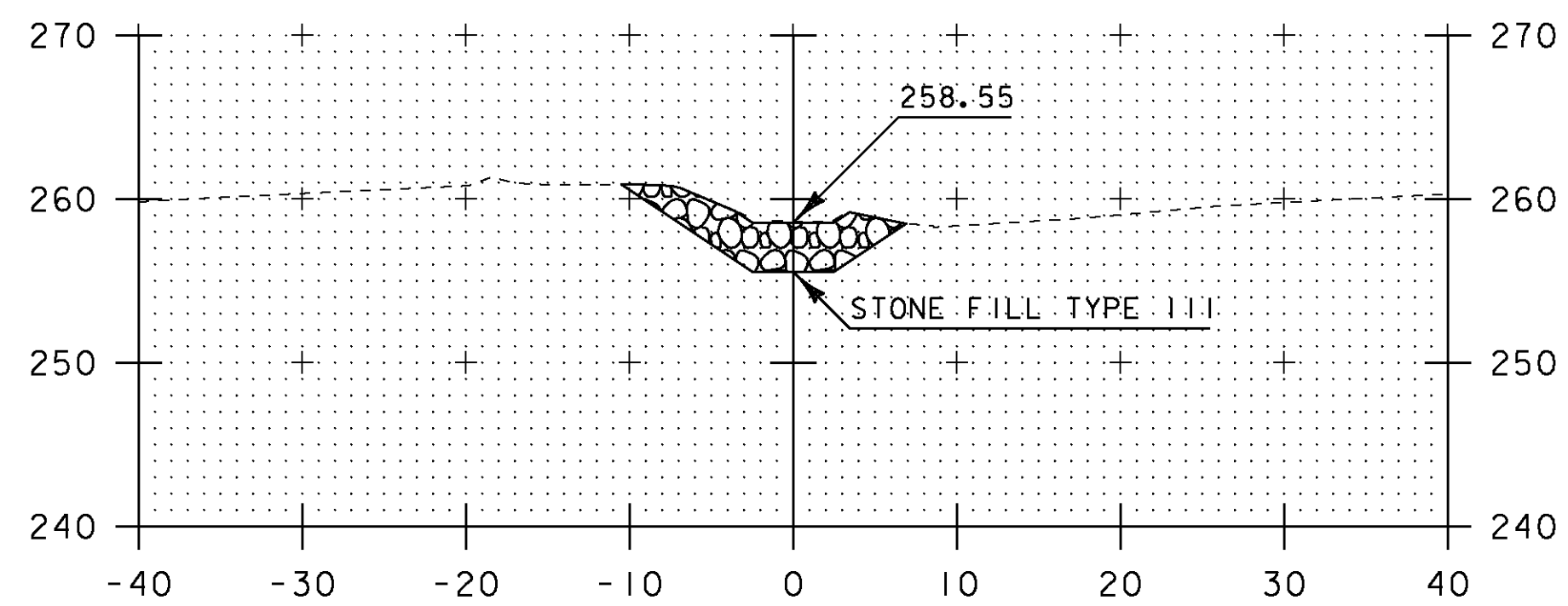
0+50
INLET



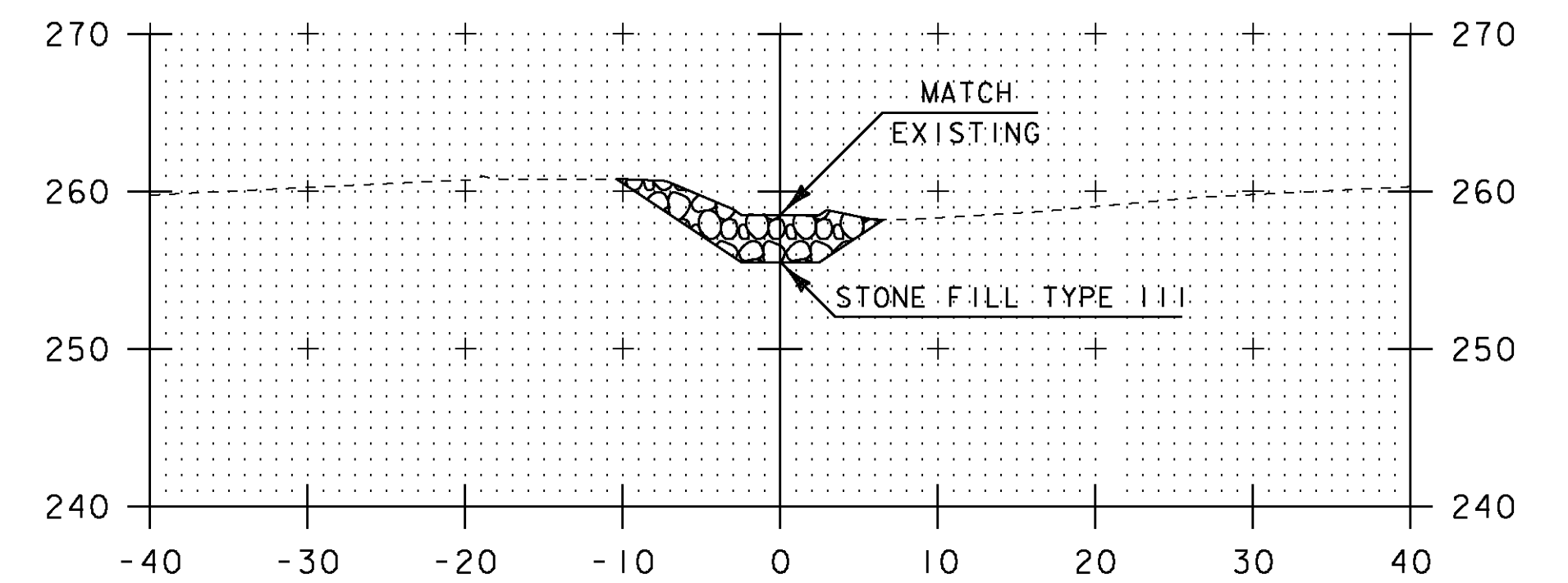
0+64
INLET



3+29
OUTLET

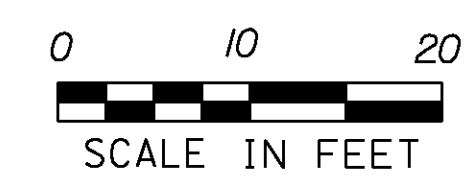


3+50
OUTLET



3+51
OUTLET

INLET - STONE FILL TYPE III, 2 FT DEPTH AT CHANNEL BOTTOM AND SIDES, 8 FT WIDE
 OUTLET - STONE FILL TYPE III, 3 FT DEPTH AT CHANNEL BOTTOM AND SIDES, IV:1.5H CHANNEL SIDE SLOPES



PROJECT NAME: SOUTH BURLINGTON	
PROJECT NUMBER: IM SCRP(3)	
FILE NAME: d07a104_nul.dgn	PLOT DATE: 13-JAN-2010
PROJECT LEADER: K. UPMAL	DRAWN BY: J. DEVLIN
DESIGNED BY: B. KIPP/B. McADAMS	CHECKED BY: B. KIPP
MM 87.300 CHANNEL SECTIONS	SHEET 12 OF 69