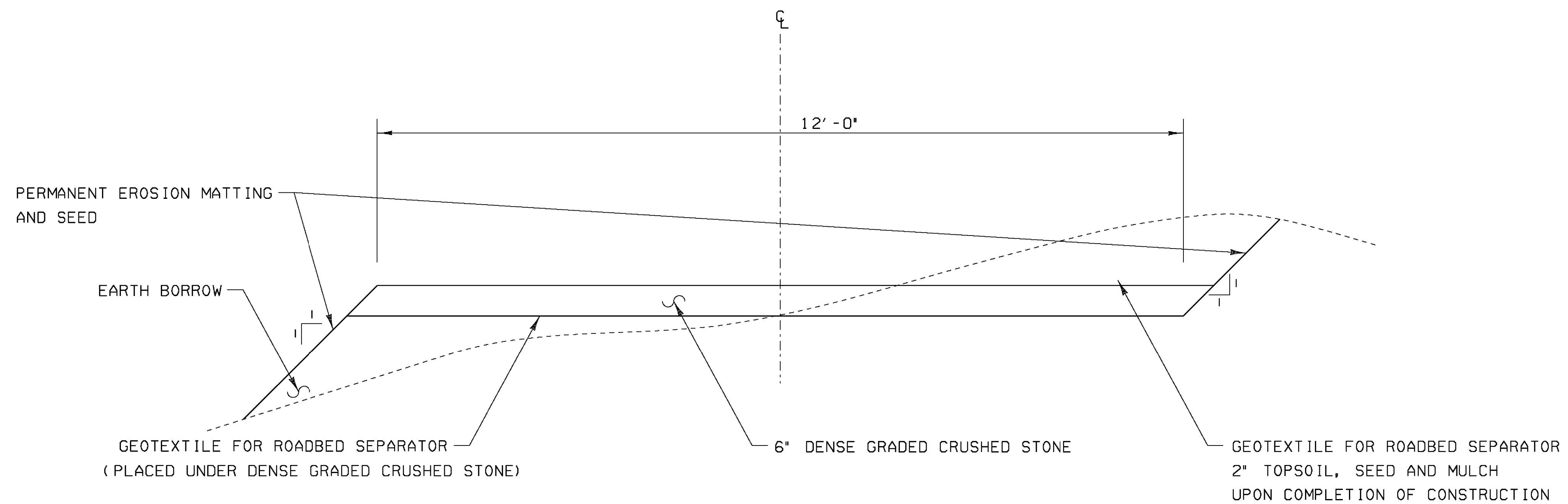
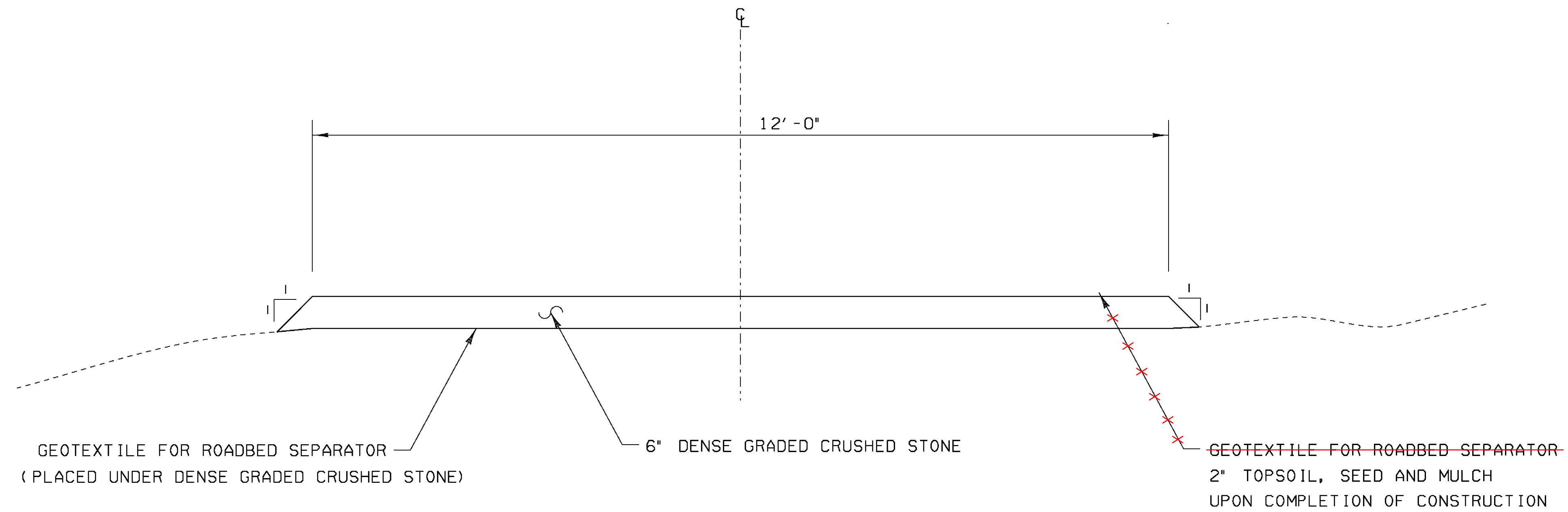


TYPICAL SECTIONS



TEMPORARY ACCESS ROAD TYPICAL SECTIONS

NOT TO SCALE

PROJECT NAME:	SOUTH BURLINGTON
PROJECT NUMBER:	IM SCRP(3)
FILE NAME: d07a104_frm.dgn	PLOT DATE: 13-JAN-2010
PROJECT LEADER: K. UPMAL	DRAWN BY: B. KIPP
DESIGNED BY: B.KIPP/B.McADAMS	CHECKED BY: B. KIPP
TYPICAL SHEET	SHEET 3 OF 69