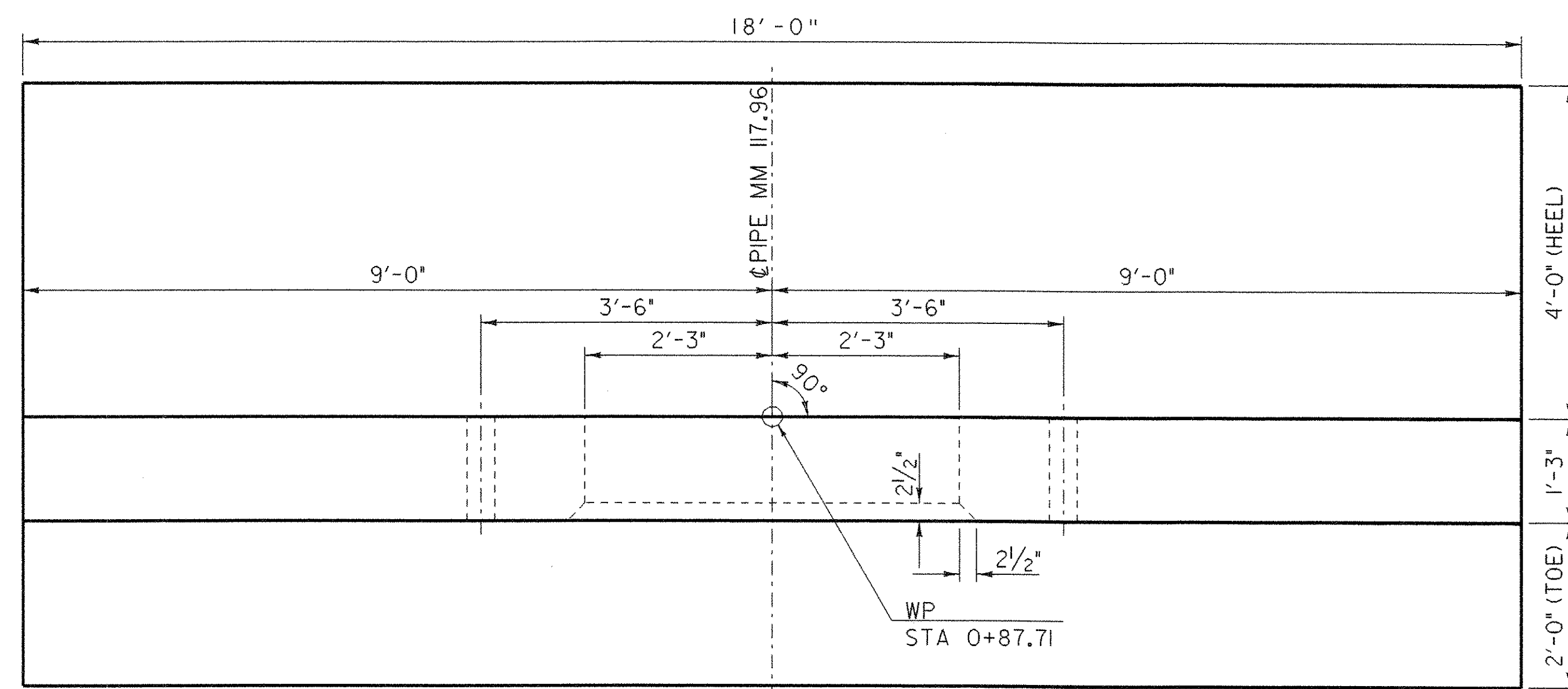
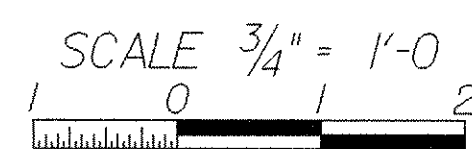
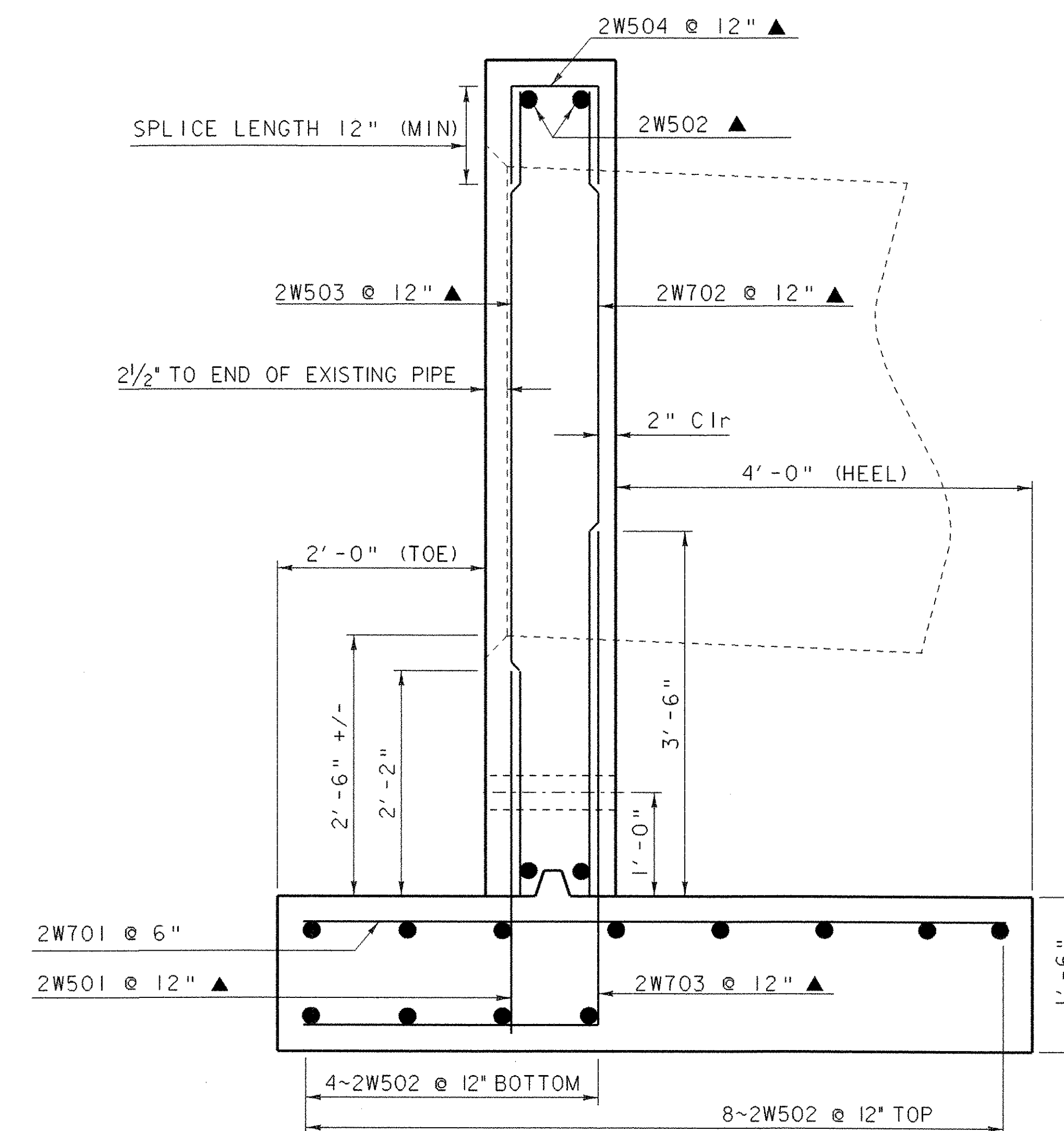
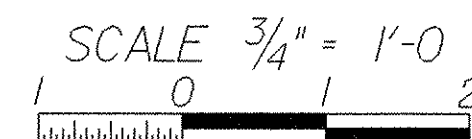


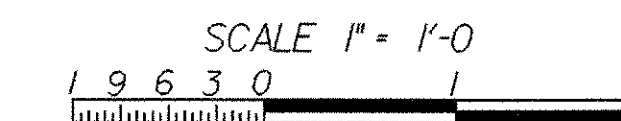
HEADWALL ELEVATION FOR MM 117.96



HEADWALL PLAN FOR MM 117.96



HEADWALL SECTION FOR MM 117.96



NOTE:

- NF = NEAR FACE
- FF = FAR FACE
- EF = EACH FACE
- ▲ = CUT TO FIT IN FIELD
- 3" CLR. UNLESS OTHERWISE SPECIFIED ON THE PLANS.

PROJECT NAME: BARNET	PLOT DATE: 25-FEB-2008
PROJECT NUMBER: IM SCRP(2)	DRAWN BY: R. FOSTER
FILE NAME: d07al02headwall2.dgn	CHECKED BY: W. SYMONDS
PROJECT LEADER: K. UPMAL	SHEET 12 OF 20
DESIGNED BY: R. FOSTER	
MM 117.96 HEADWALL DETAILS	