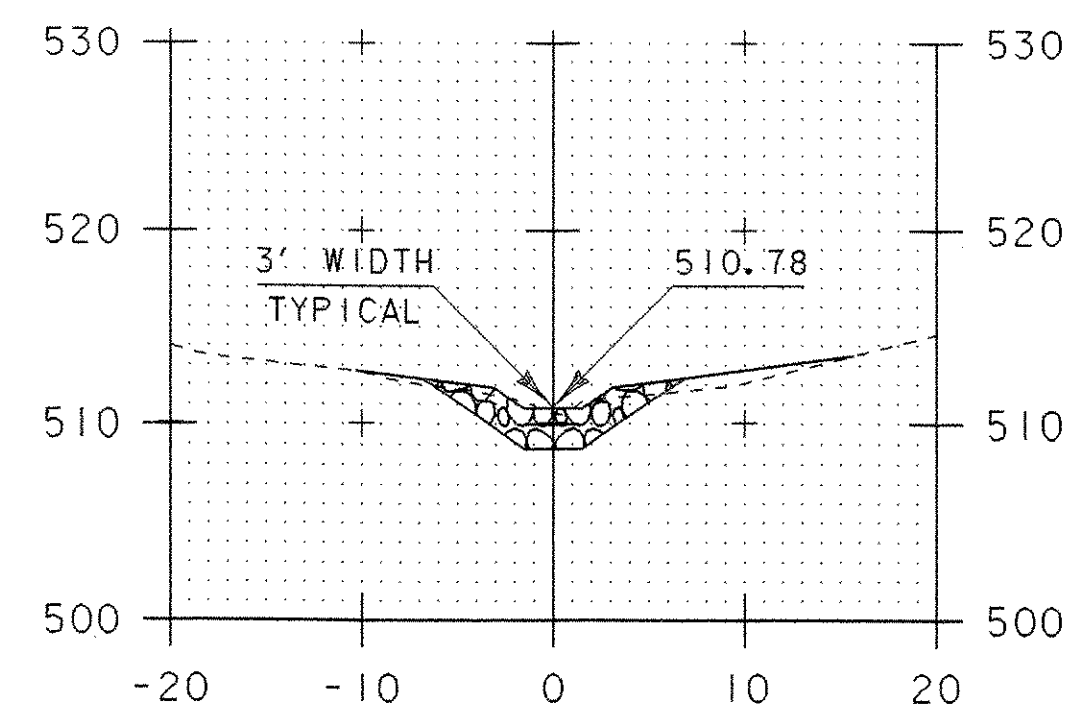
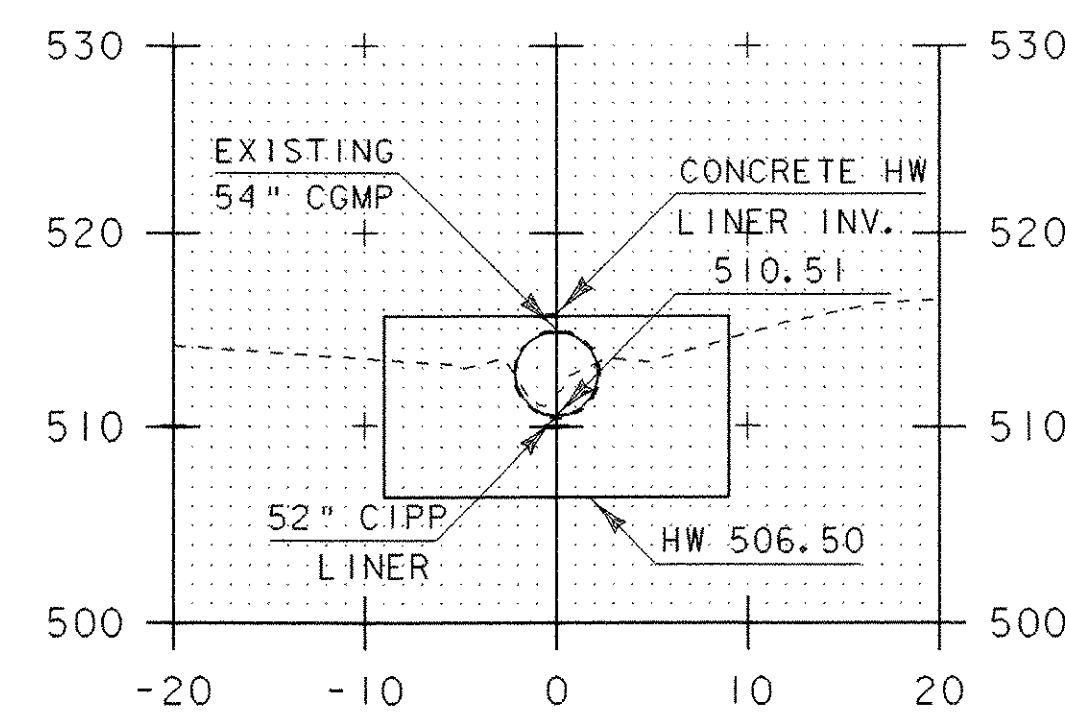


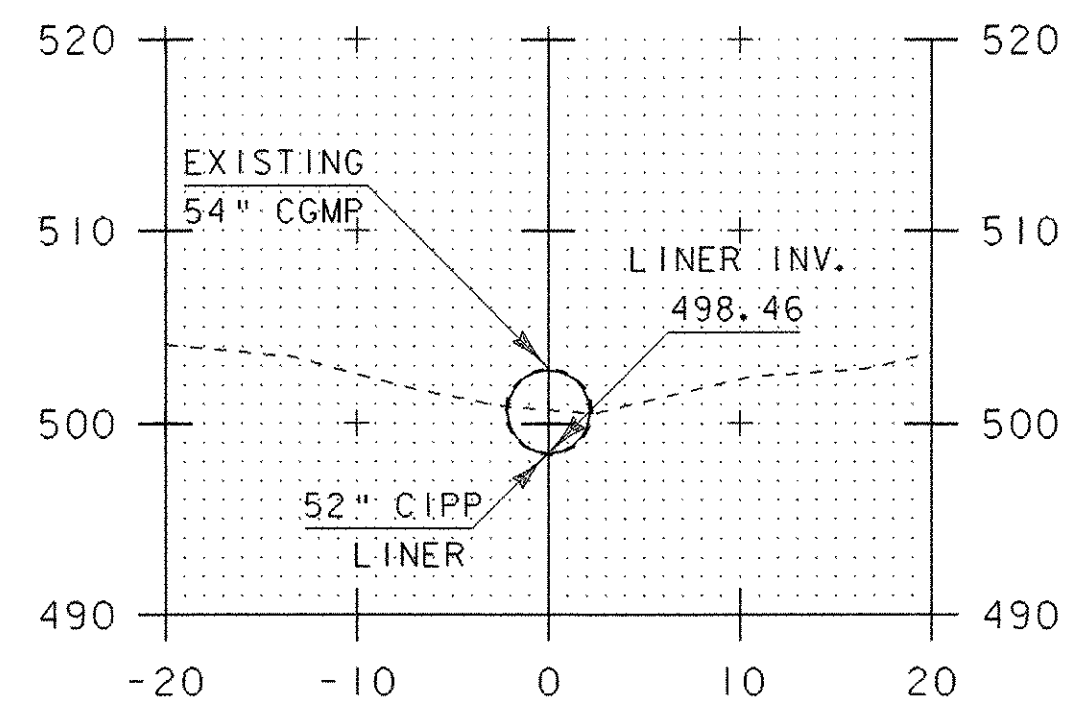
0+59  
INLET



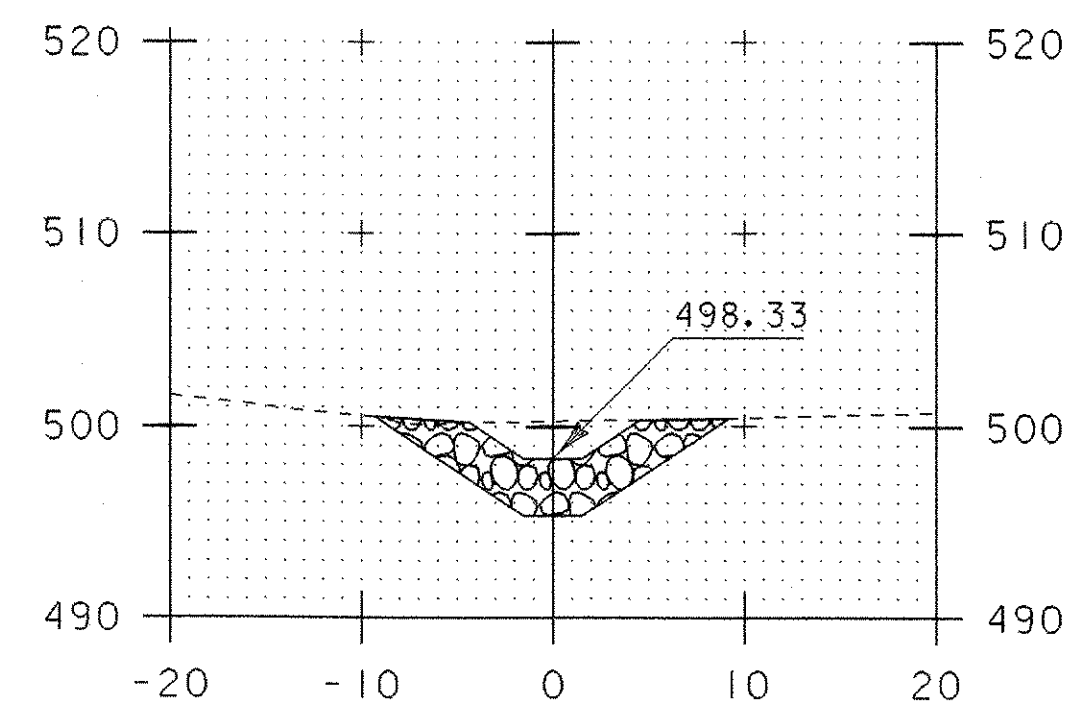
0+75  
INLET



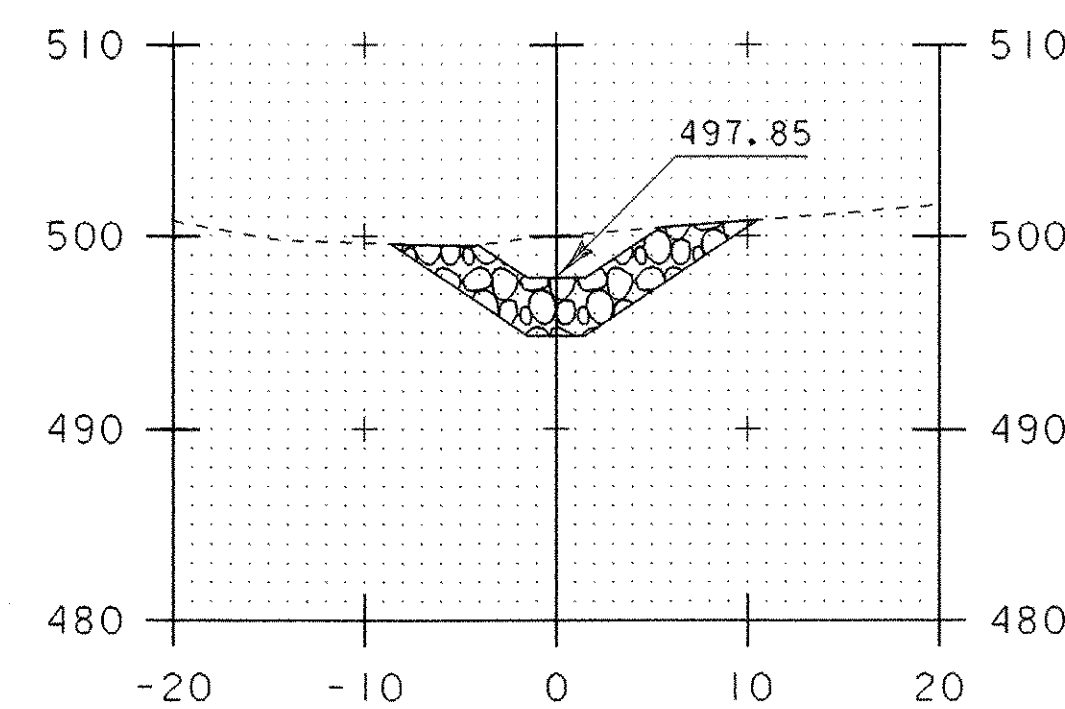
0+87  
INLET



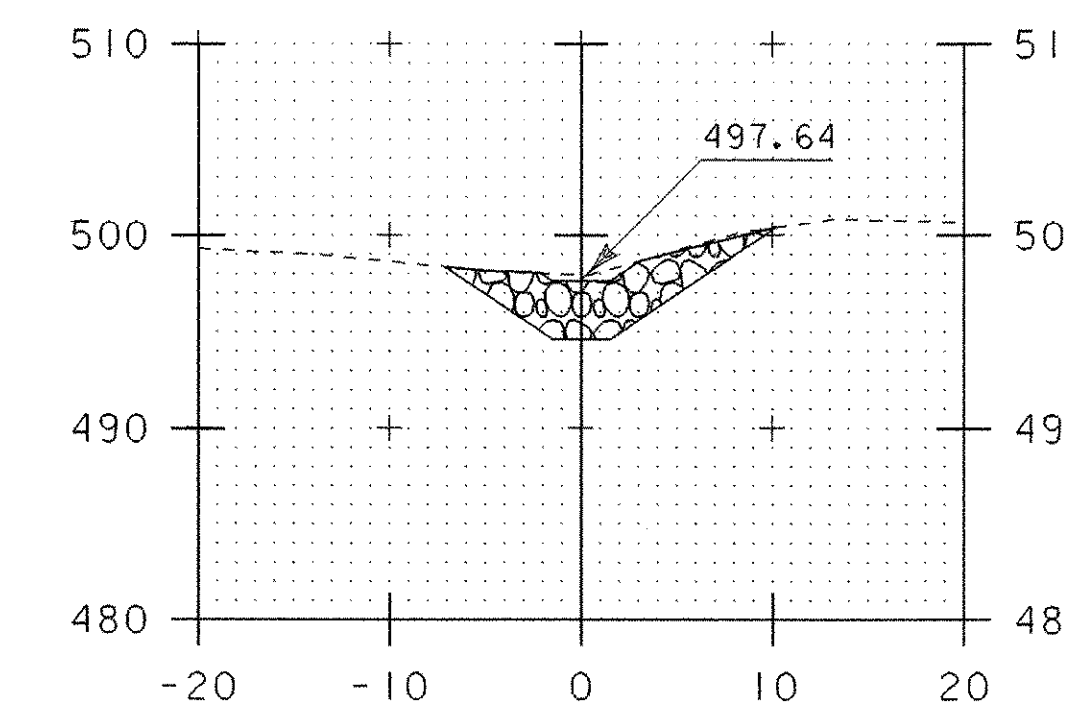
3+90  
OUTLET



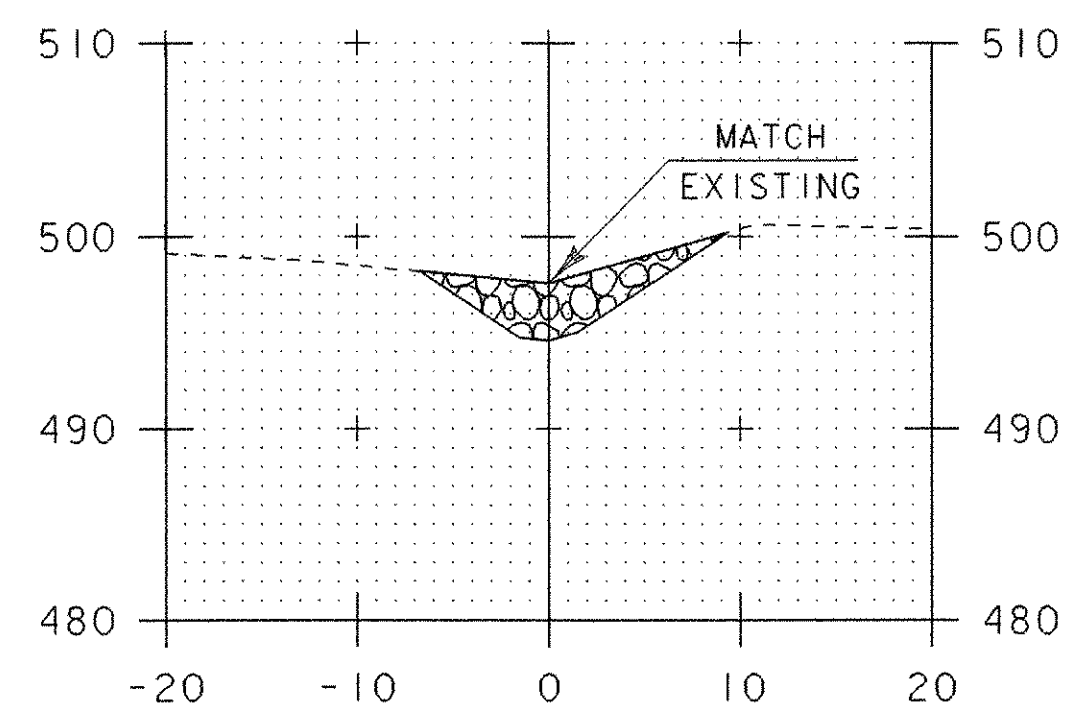
4+00  
OUTLET



4+25  
OUTLET

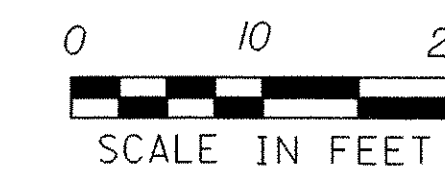


4+50  
OUTLET



4+53  
OUTLET

INLET - STONE FILL TYPE II, 2 FT DEPTH AT CHANNEL BOTTOM AND SIDES, IV:1.5H CHANNEL SIDE SLOPES  
 OUTLET - STONE FILL TYPE III, 3 FT DEPTH AT CHANNEL BOTTOM AND SIDES, IV:1.5H CHANNEL SIDE SLOPES



PROJECT NAME: BARNET  
 PROJECT NUMBER: IM SCRP(2)

FILE NAME: d07d102wrk.dgn  
 PROJECT LEADER: K. UPMAL  
 DESIGNED BY: J. DEVLIN  
 MM 117.96 CHANNEL SECTIONS

PLOT DATE: 25-FEB-2008  
 DRAWN BY: J. DEVLIN  
 CHECKED BY: K. UPMAL  
 SHEET 10 OF 20