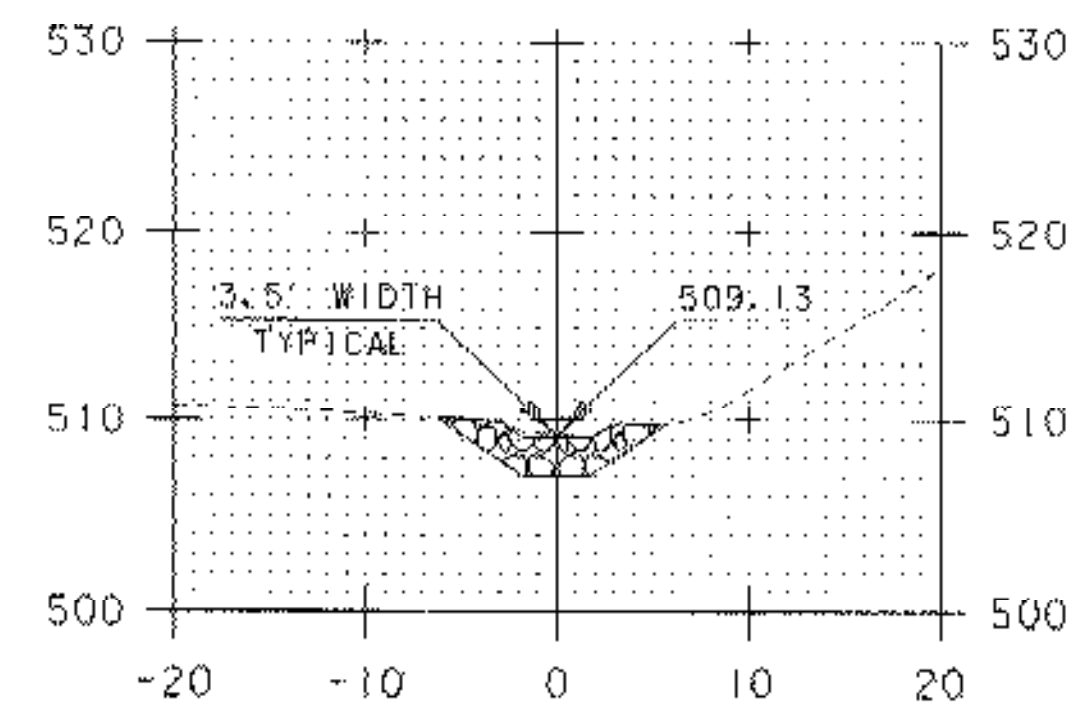
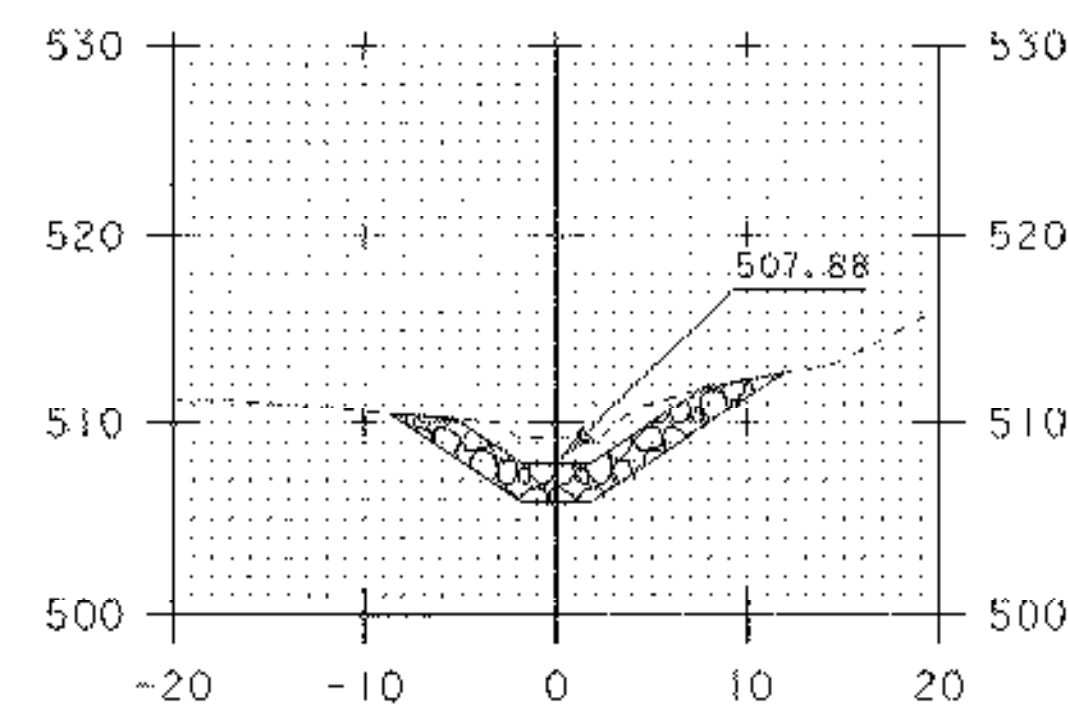


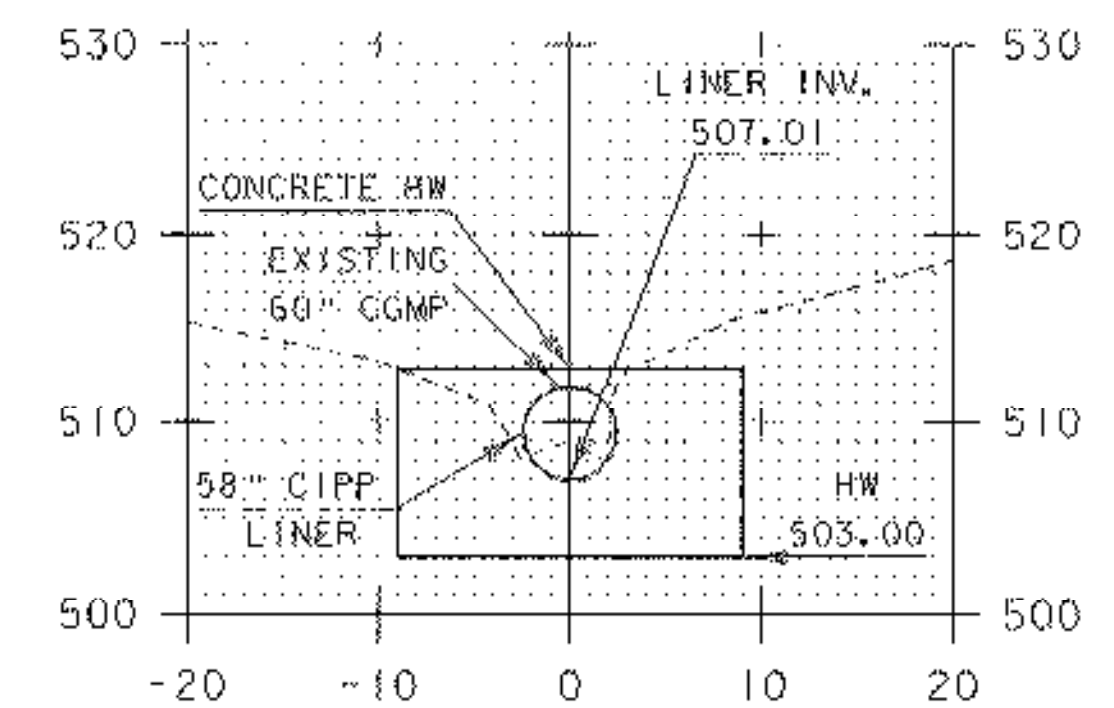
0+47
INLET



0+50
INLET

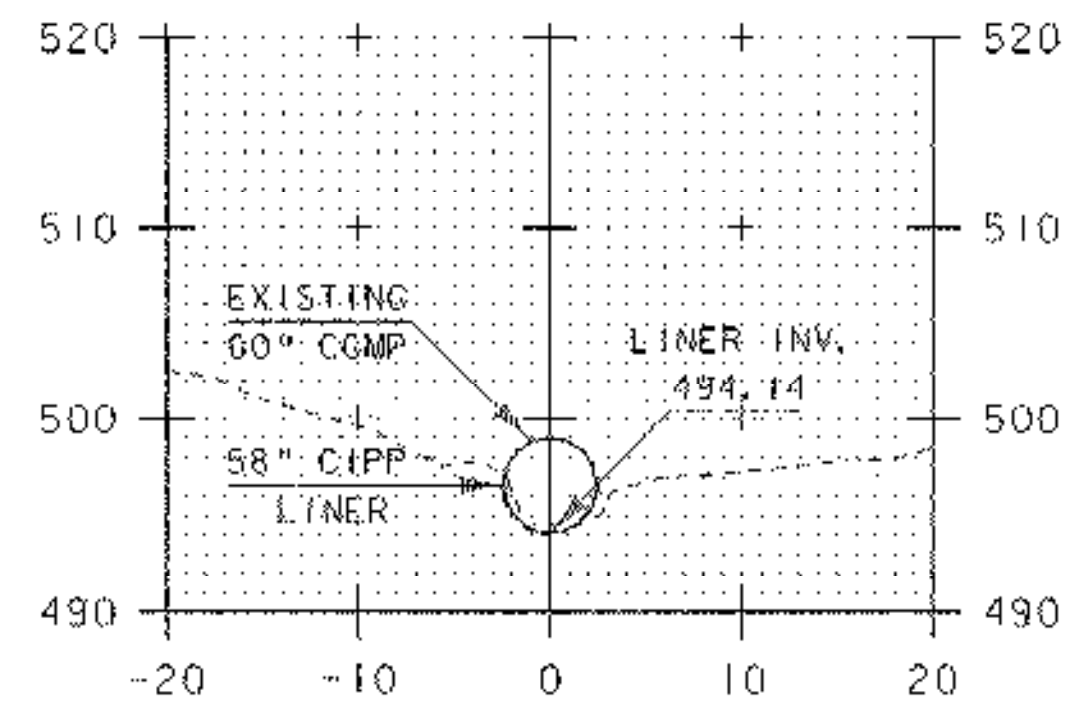


0+75
INLET

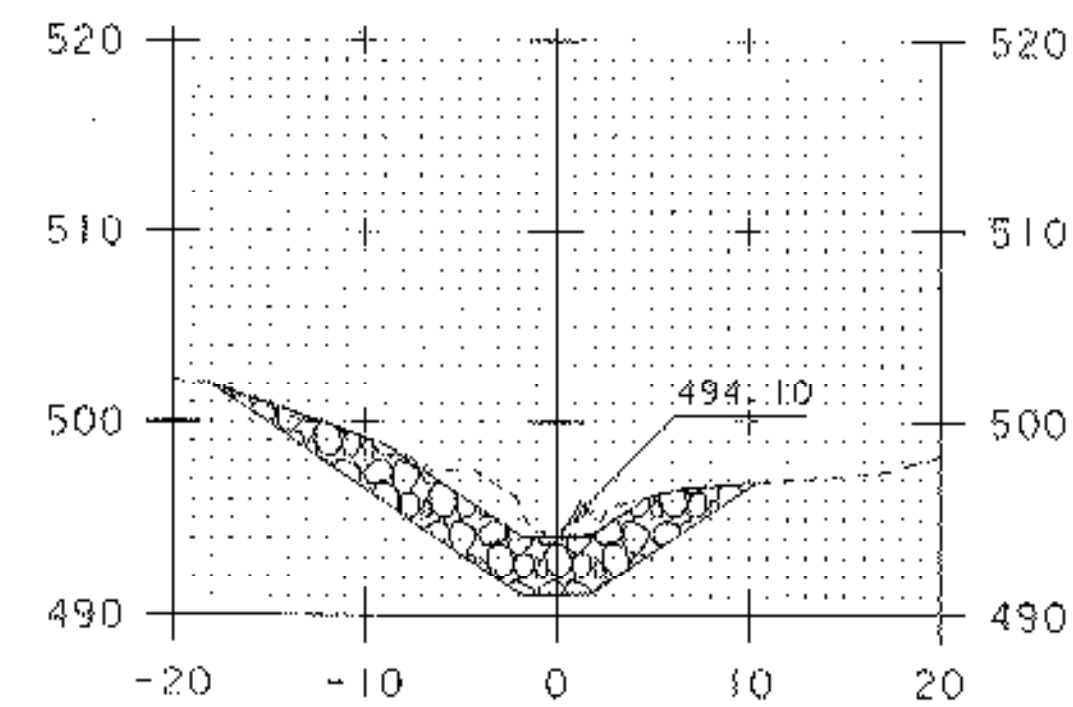


0+92
INLET

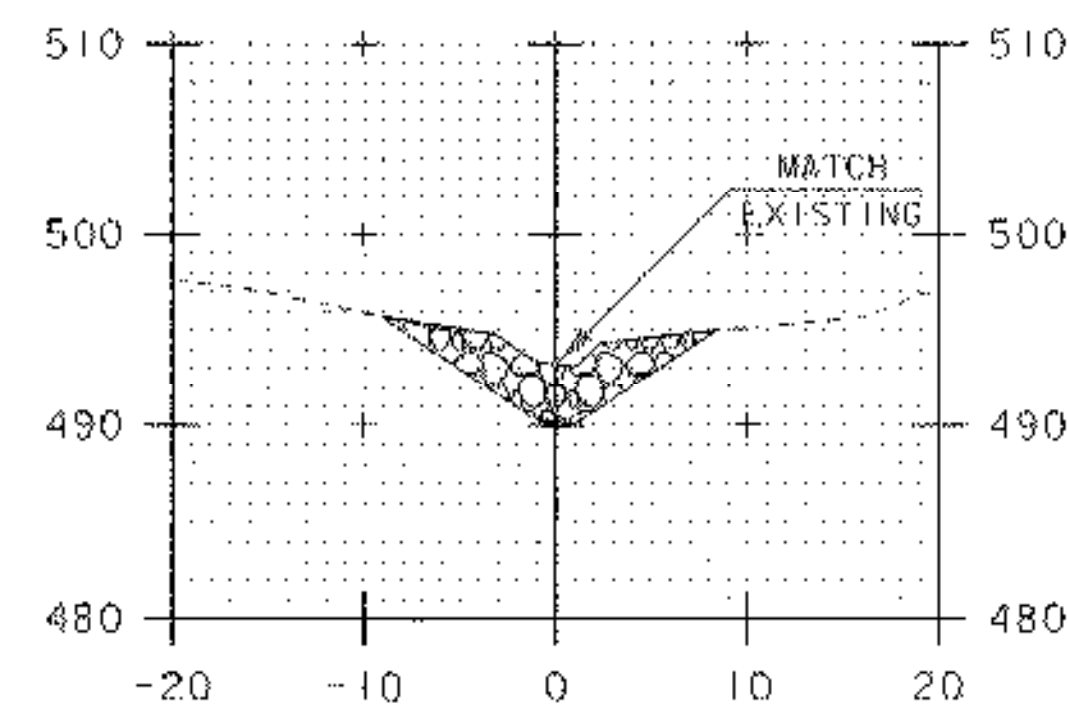
INLET OF PIPE
AND HW MOVED
TO 0+82



5+24
OUTLET

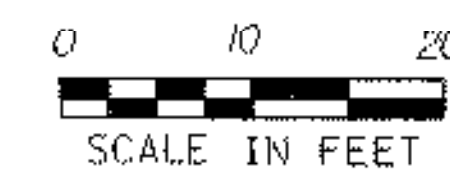


5+25
OUTLET



5+45
OUTLET

INLET - STONE FILL TYPE 11, 2 FT DEPTH AT CHANNEL BOTTOM AND SIDES, 1V:1.5H CHANNEL SIDE SLOPES
 OUTLET - STONE FILL TYPE 111, 3 FT DEPTH AT CHANNEL BOTTOM AND SIDES, 1V:1.5H CHANNEL SIDE SLOPES



PROJECT NAME: BARNET
 PROJECT NUMBER: IM SCRP(2)

FILE NAME: d07a102wrk.dgn
 PROJECT LEADER: K. UPMAL
 DESIGNED BY: J. DEVLIN
 MM 11.72 CHANNEL SECTIONS

PLOT DATE: 25-FEB-2008
 DRAWN BY: J. DEVLIN
 CHECKED BY: K. UPMAL
 SHEET 7 OF 20