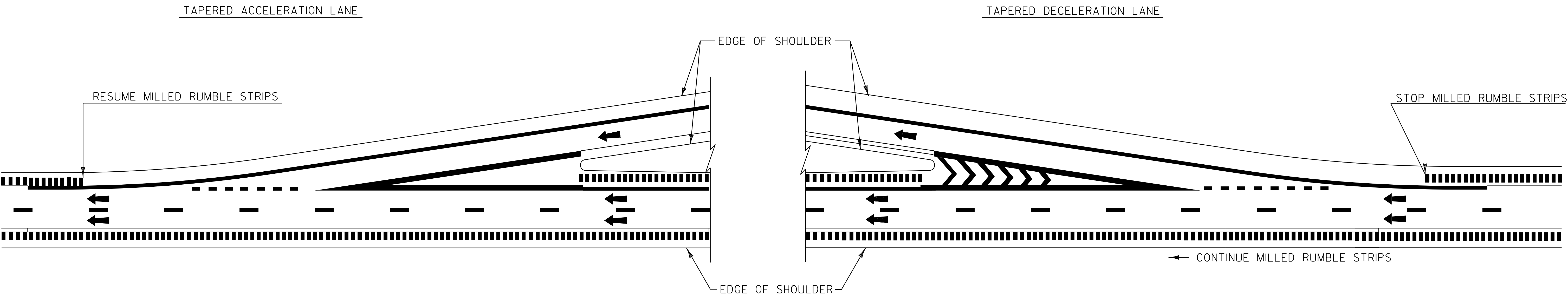
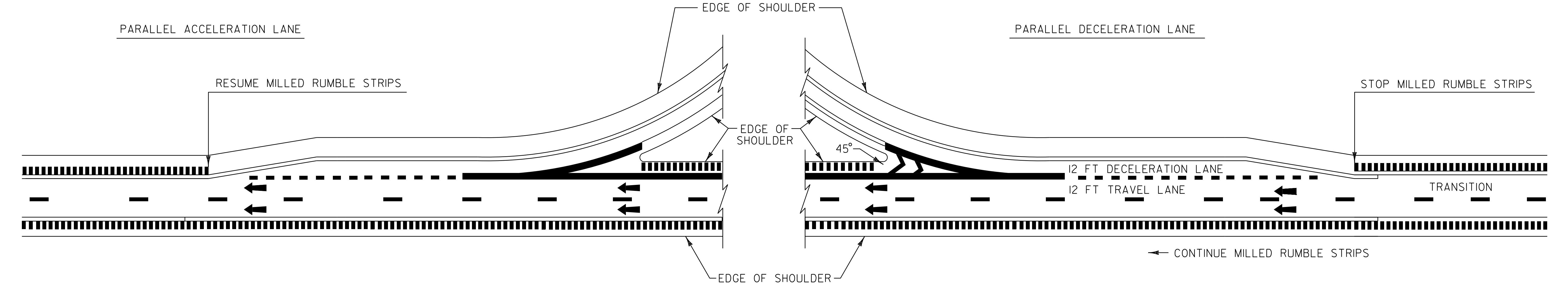




TYPICAL MILLED RUMBLE STRIP DETAIL AT INTERCHANGES

NOTE:
 1. THIS TYPICAL MAY BE MODIFIED AT THE DISCRETION OF THE RESIDENT ENGINEER IF ACTUAL FIELD CONDITIONS NECESSITATE SUCH ACTIONS.



NOT TO SCALE

- LEGEND
-  DIRECTION OF TRAFFIC FLOW
 -  MILLED RUMBLE STRIPS

MILLED RUMBLE STRIP DETAIL SHEET 2

PROJECT NAME: HARTLAND-NORWICH	FILE NAME: /pave/06a202/p06a202.dgn	PLOT DATE: 19-JUN-2013 09:2
PROJECT NUMBER: IM 091-I(59)	PROJECT LEADER: PTS	DRAWN BY: WWG
	DESIGNED BY: NLL	CHECKED BY: PTS
	IPARM FILE NAME: 06A202_58	SHEET 58 OF 60