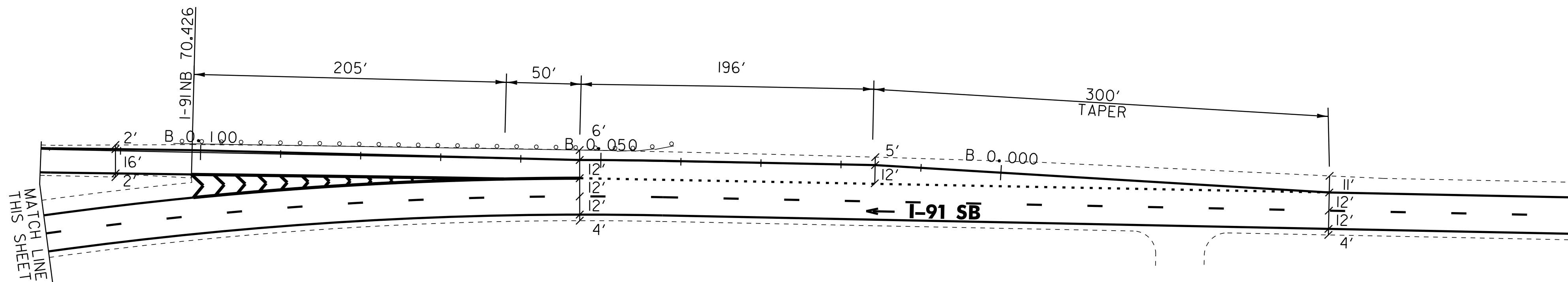
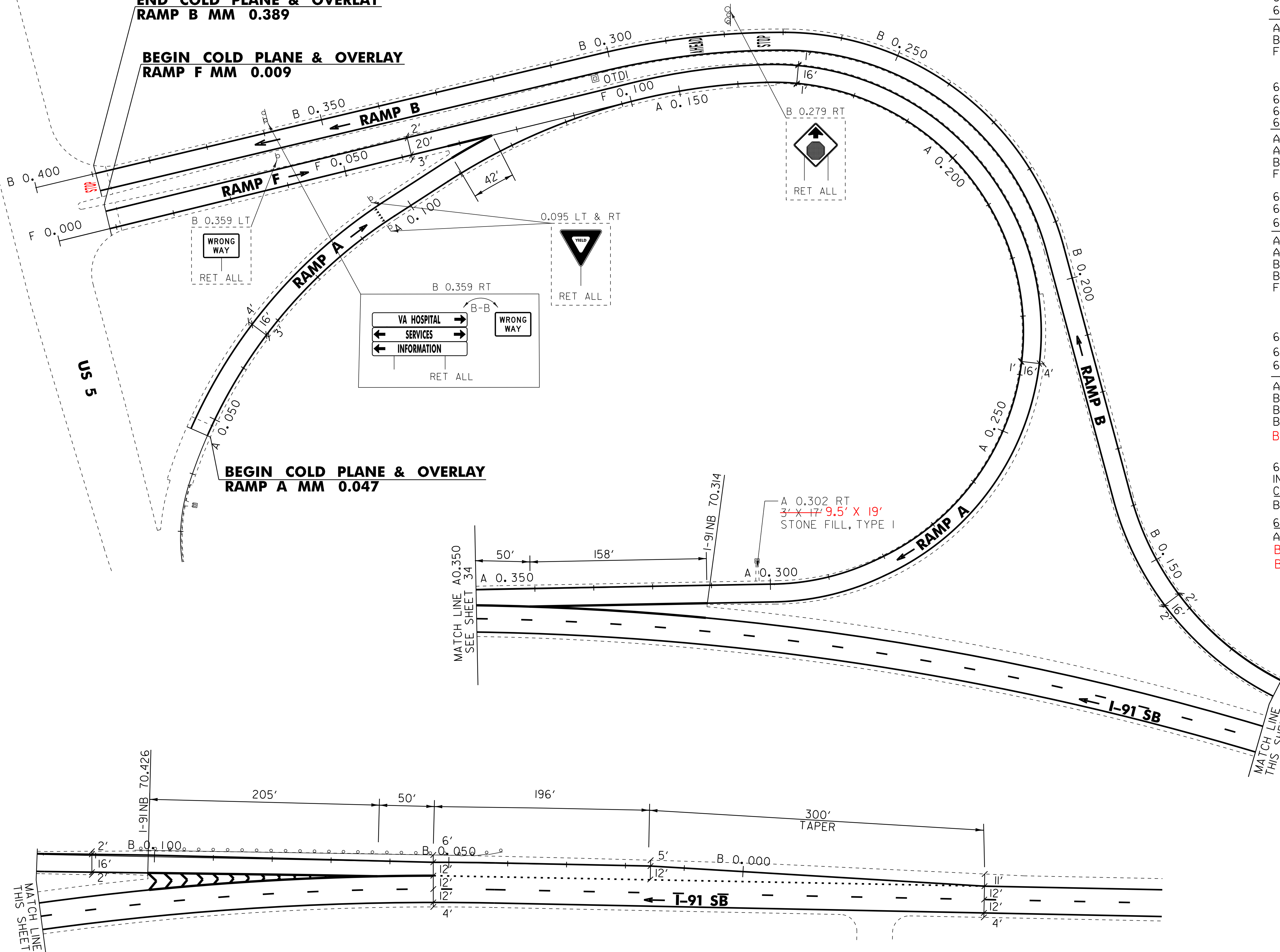


END COLD PLANE & OVERLAY
RAMP B MM 0.389

BEGIN COLD PLANE & OVERLAY
RAMP F MM 0.009

BEGIN COLD PLANE & OVERLAY
RAMP A MM 0.047



- 646.622 TEMPORARY 6" WHITE LINE, PAINT
- 646.426 DURABLE 6" WHITE LINE, RECESSED POLYUREA
- 646.428 DURABLE 6" WHITE LINE, RECESSED THERMOPLASTIC
- 646.429 DURABLE 6" WHITE LINE, RECESSED EPOXY PAINT
- A 0.047 TO A 0.311 SOLID RT
- B 0.101 TO B 0.389 SOLID RT
- F 0.009 TO F 0.068 SOLID RT
- 70.474 TO 70.568 DOTTED LT
- 646.632 TEMPORARY 6" YELLOW LINE, PAINT
- 646.436 DURABLE 6" YELLOW LINE, RECESSED POLYUREA
- 646.438 DURABLE 6" YELLOW LINE, RECESSED THERMOPLASTIC
- 646.439 DURABLE 6" YELLOW LINE, RECESSED EPOXY PAINT
- A 0.047 TO A 0.110 SOLID LT
- A 0.142 TO A 0.311 SOLID LT
- B 0.101 TO B 0.389 SOLID LT
- F 0.009 TO F 0.100 SOLID LT
- 646.662 TEMPORARY 12" WHITE LINE, PAINT
- 646.466 DURABLE 12" WHITE LINE, RECESSED POLYUREA
- 646.469 DURABLE 12" WHITE LINE, RECESSED EPOXY PAINT
- A 0.110 TO A 0.118 SOLID LT
- A 0.311 TO A 0.341 SOLID LT
- B 0.062 TO B 0.101 SOLID LT
- B 0.062 TO B 0.101 SOLID LT (GORE STRIPES)
- F 0.068 TO F 0.076 SOLID RT
- 70.275 TO 70.314 SOLID LT
- 70.426 TO 70.474 SOLID LT
- 646.692 ~~TEMPORARY LETTER OR SYMBOL, PAINT~~
- 646.492 DURABLE LETTER OR SYMBOL, THERMOPLASTIC
- 646.493 DURABLE LETTER OR SYMBOL, EPOXY PAINT
- A 0.095 LT YIELD MARKINGS (5 EA)
- B 0.274 LT "STOP"
- B 0.282 LT "AHEAD"
- B 0.359 LT WRONG WAY ARROW
- B X.XXX LT "STOP"
- 604.412, 604.415 REHAB. DROP INLETS, CATCH BASINS, OR MANHOLES, CLASS I OR CLASS II
- CLASS I OR CLASS II * REFERENCE COMP. BINDER SECTION
- B 0.308 LT (OTDI) 604.XXX FOR REHAB DILOCATIONS
- 613.10 STONE FILL, TYPE I
- A 0.302 RT (RAMP A)
- B X.XXX RT RAMP B
- B X.XXX RT RAMP B

LEGEND

- R = REMOVE EXISTING
- S = SALVAGE
- R&S = REMOVE AND SALVAGE
- N = NEW
- RET = RETAIN
- B-B = BACK TO BACK
- = EXISTING GUARDRAIL
- = PROPOSED GUARDRAIL
- YL = YELLOW LINE
- WL = WHITE LINE

EXIT 11
SB OFF RAMP B
SB ON RAMPS A&F DETAIL SHEET

PROJECT NAME:	HARTLAND-NORWICH	FILE NAME:	/pave/06a202/p06a202.dgn	PLOT DATE:	19-JUN-2013 09:24
PROJECT NUMBER:	IM 091-1(59)	PROJECT LEADER:	PTS	DRAWN BY:	WWG
		DESIGNED BY:	NLL	CHECKED BY:	PTS
		IPARM FILE NAME:	06A202_37		SHEET 37 OF 60

NOT TO SCALE