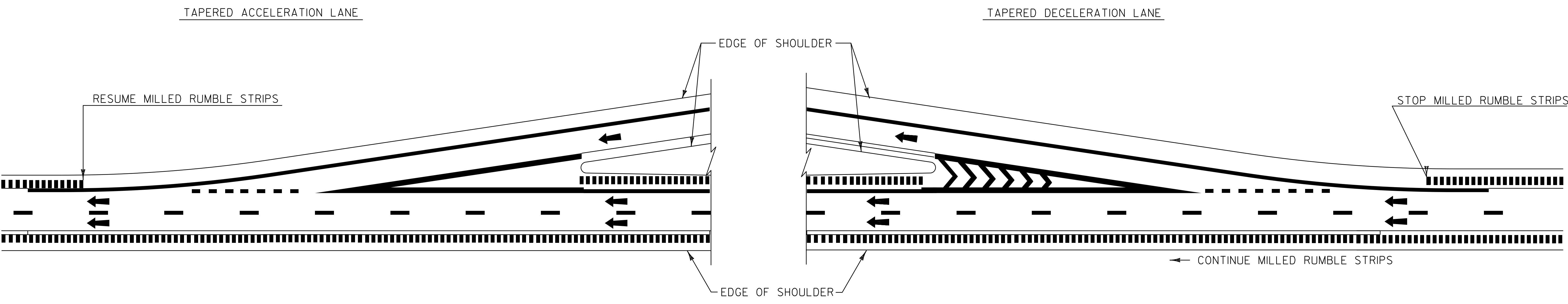
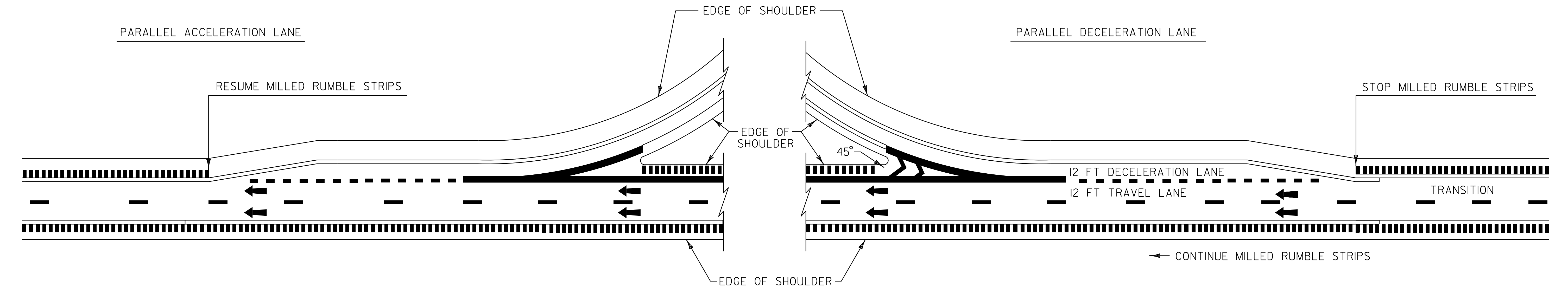


TYPICAL MILLED RUMBLE STRIP DETAIL AT INTERCHANGES

NOTE:
 1. THIS TYPICAL MAY BE MODIFIED AT THE DISCRETION OF THE RESIDENT ENGINEER IF ACTUAL FIELD CONDITIONS NECESSITATE SUCH ACTIONS.



NOT TO SCALE

- LEGEND**
- DIRECTION OF TRAFFIC FLOW
 - MILLED RUMBLE STRIPS

MILLED RUMBLE STRIP DETAIL SHEET 2

PROJECT NAME: HARTLAND-NORWICH	
PROJECT NUMBER: IM 091-I(59)	
FILE NAME: /pave/06a202/p06a202.dgn	PLOT DATE: 21-NOV-2012 11:46
PROJECT LEADER: PTS	DRAWN BY: WWG
DESIGNED BY: NULL	CHECKED BY: PTS
IPARM FILE NAME: 06A202_58	SHEET 58 OF 60