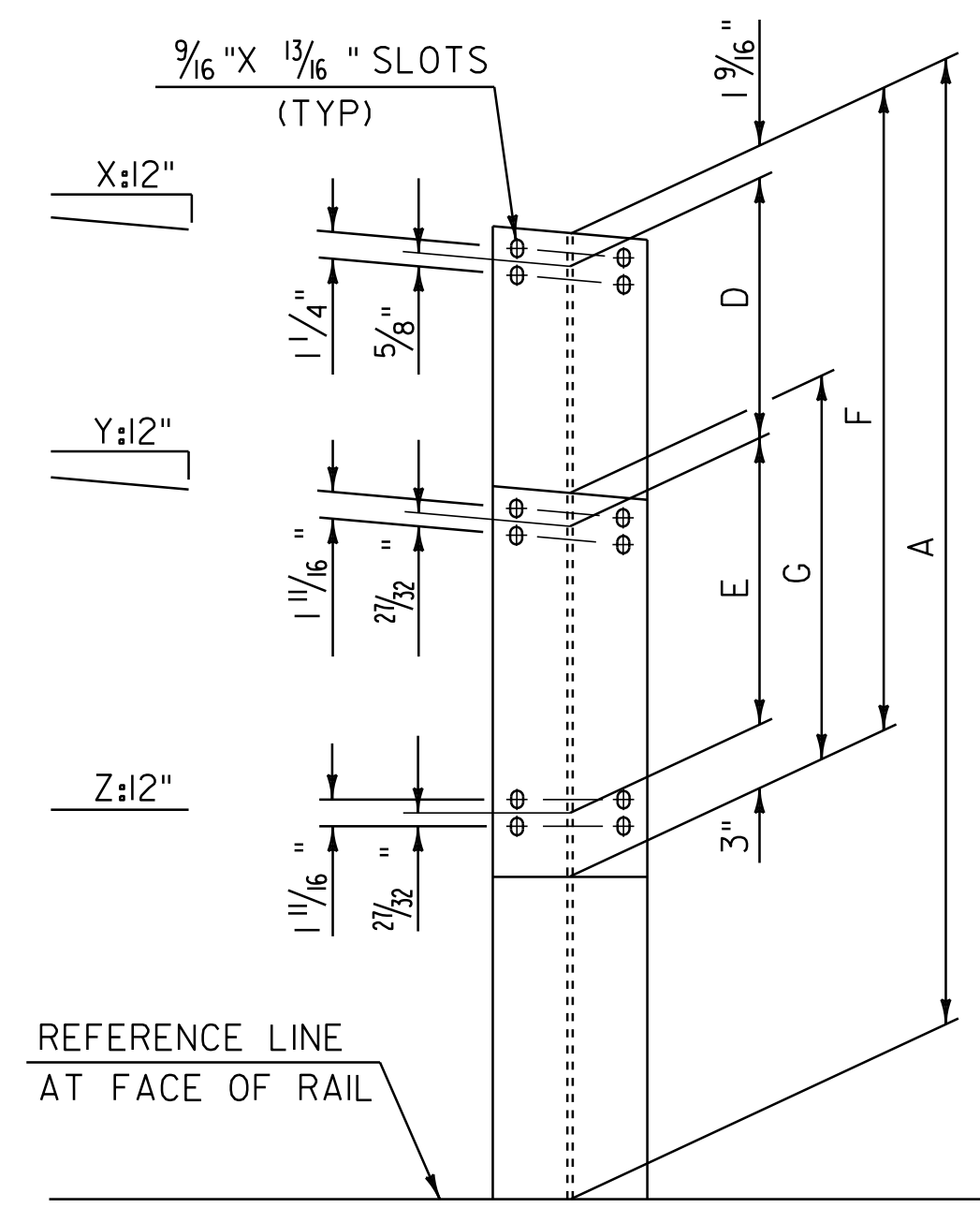
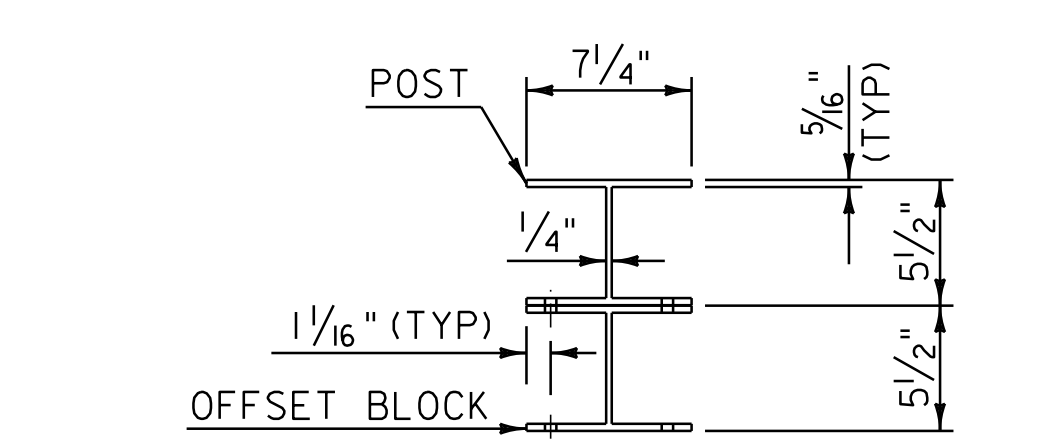
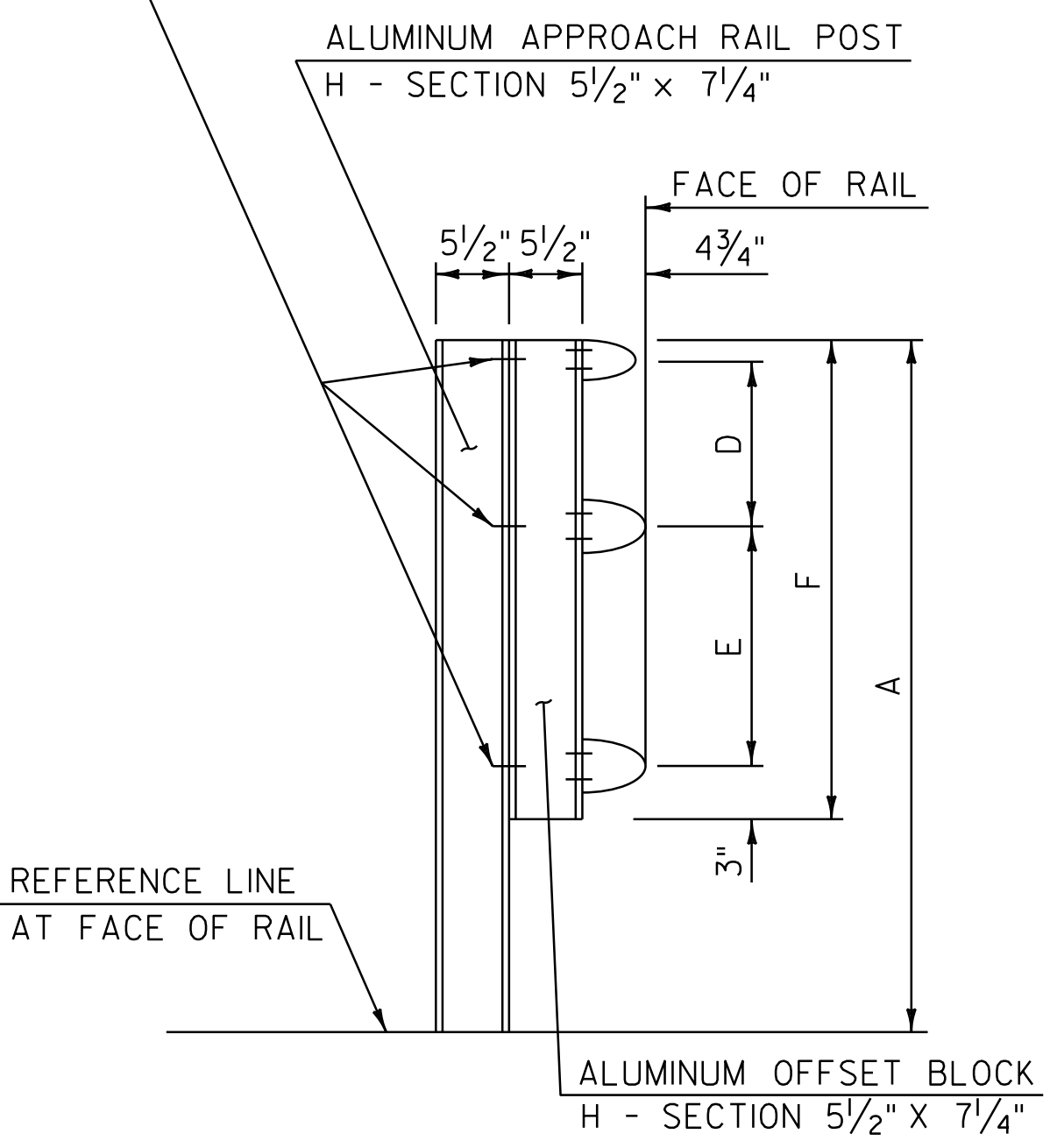


**ELEVATION**

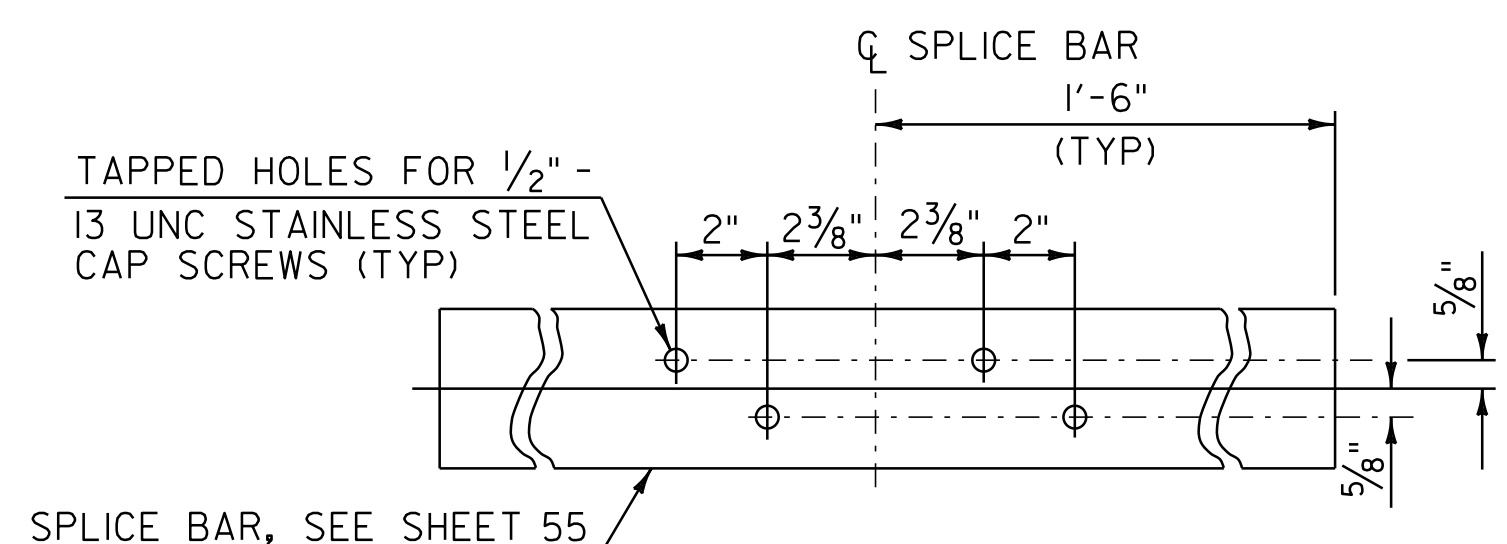


**POST ELEVATION & SECTION**  
(SEE NOTE 7)

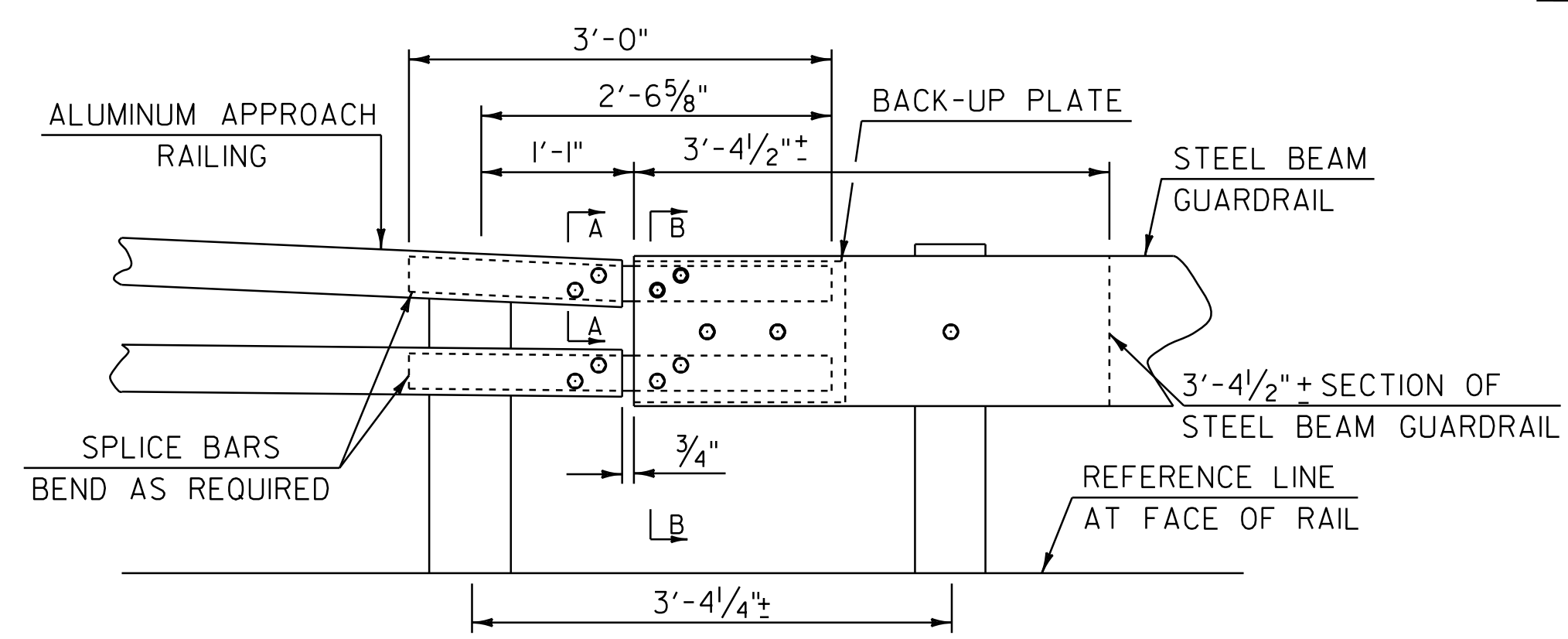
ATTACH OFFSET BLOCK TO POST WITH 1/2"-13 UNC x 1 1/4" LONG STAINLESS STEEL HEX HEAD BOLTS, NUTS AND WASHERS. 6 BOLTS PER POST, POST 1 THRU 4; 4 BOLTS PER POST, POST 5 THRU 7.



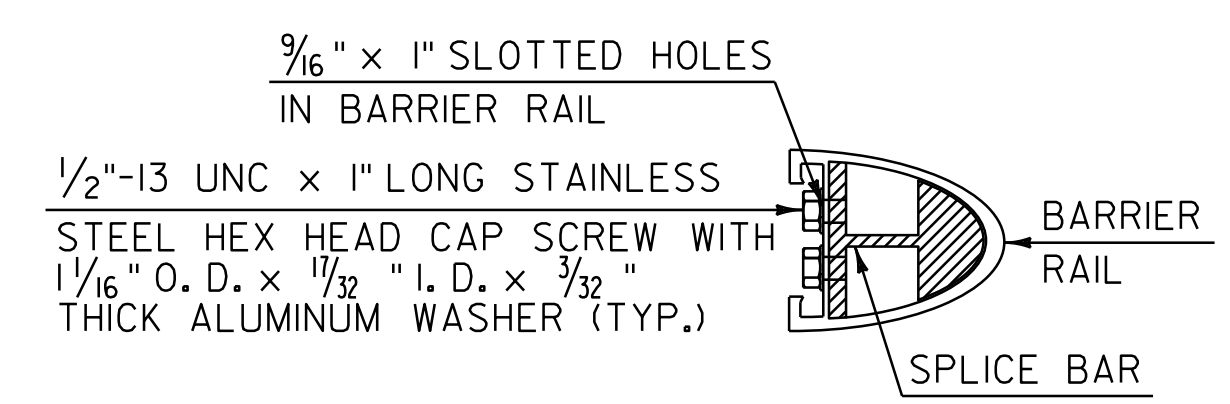
**RAIL DETAIL**  
(SEE NOTE 7)



**SPLICE BAR DETAIL (BACK SIDE VIEW)**

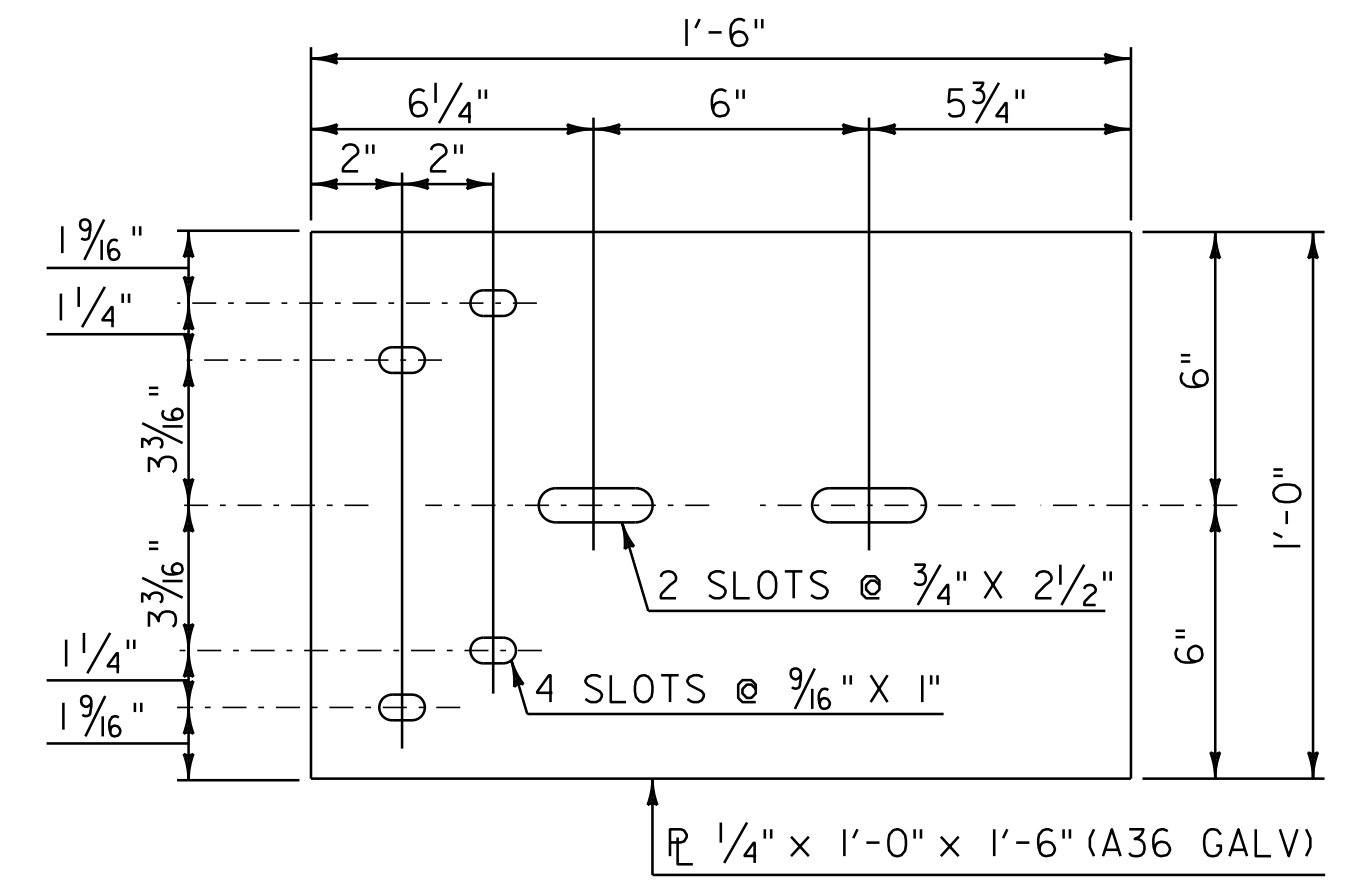


**SPLICE DETAIL**

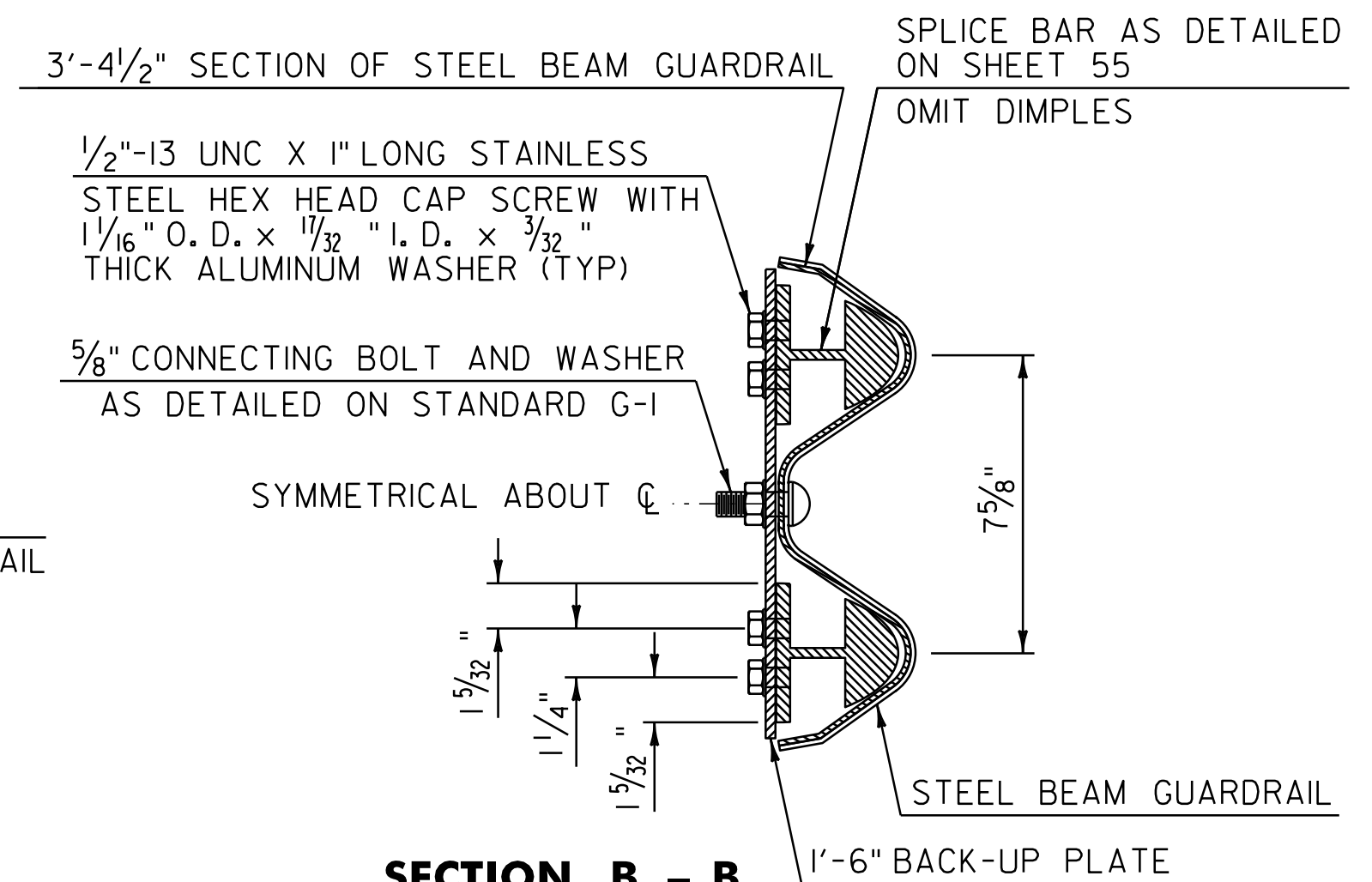


**SECTION A - A**

- NOTES:
1. POST 1 THROUGH 7 SHALL BE EXTRUDED ALUMINUM.
  2. ALL STRUCTURAL STEEL SHALL BE ASTM A36 AND GALVANIZED AFTER FABRICATION.
  3. ALL ITEMS NOT OTHERWISE INDICATED SHALL MEET THE SPECIFICATION REQUIREMENTS OF THE STANDARD SHEETS ON WHICH THEY ARE DETAILED.
  4. SEE STANDARD G-I FOR STEEL BEAM GUARDRAIL DETAILS.
  5. THE COST OF ALL MATERIALS AND LABOR FOR THE SPLICE BETWEEN THE ALUMINUM APPROACH RAILING AND THE STEEL BEAM GUARDRAIL SHALL BE INCLUDED IN THE UNIT PRICE BID FOR ITEM 621.74 ALUMINUM APPROACH RAILING.
  6. DIMENSIONS SHOWN ARE FROM A REFERENCE LINE AT THE FACE OF POST FOR A NORMAL CROWNED SECTION. APPROPRIATE CORRECTIONS SHALL BE MADE FOR CROSS SLOPES OTHER THAN A NORMAL SECTION.
  7. SEE SHEET 56 FOR ALUMINUM APPROACH RAILING DIMENSIONS TABLE.



**BACK-UP PLATE DETAIL**



**SECTION B - B**  
**ALUMINUM APPROACH RAILING DETAIL SHEET 1**

PROJECT NAME: HARTLAND-NORWICH	FILE NAME: /pave/06a202/p06a202.dgn	PLOT DATE: 21-NOV-2012 11:46
PROJECT NUMBER: IM 091-1(59)	PROJECT LEADER: PTS	DRAWN BY: WWG
	DESIGNED BY: VTRANS	CHECKED BY: PTS
	IPARM FILE NAME: 06A202.54	SHEET 54 OF 60

NOT TO SCALE