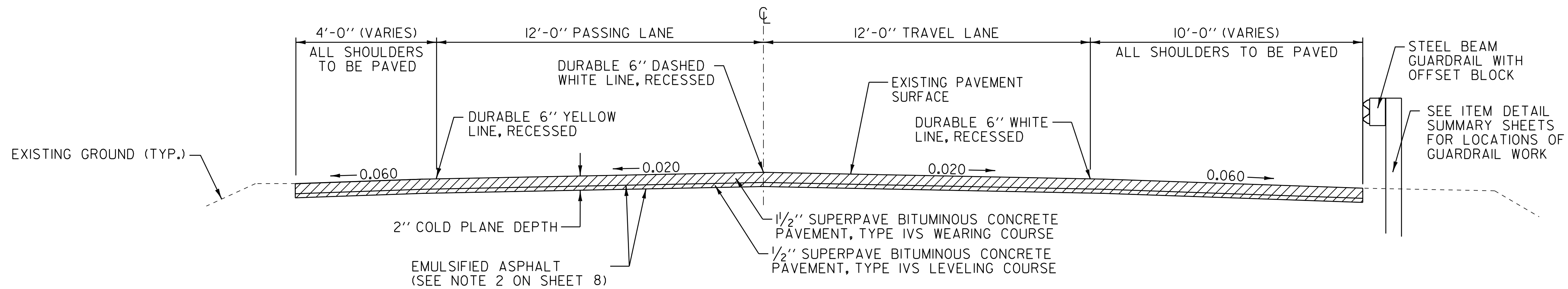


NORTHBOUND MAINLINE TYPICAL SECTION

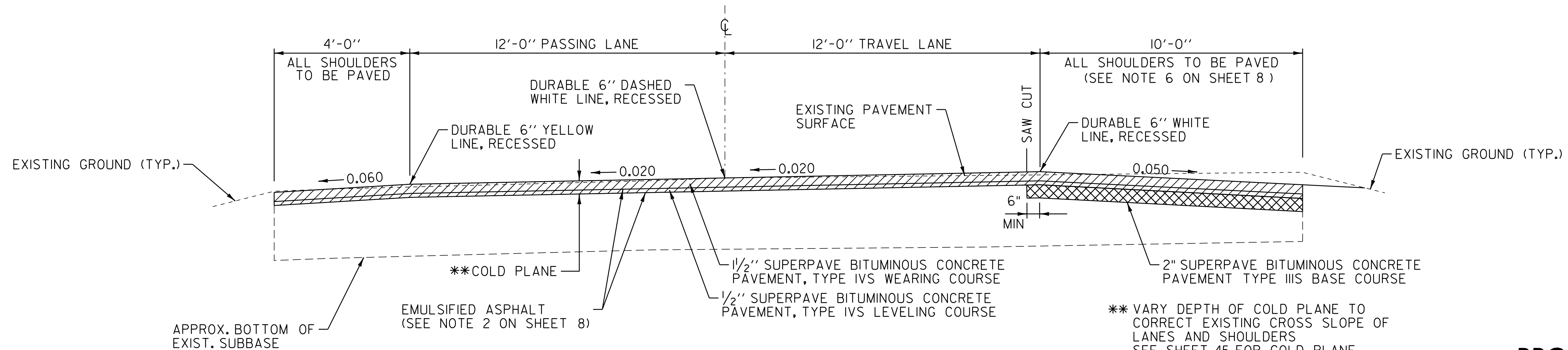
* VARY DEPTH OF COLD PLANE TO CORRECT EXISTING CROSS SLOPE OF LANES AND SHOULDERS
SEE SHEET 45 FOR COLD PLANE DEPTH

MM 66.195 - MM 70.600
*MM 73.110 - MM 73.487
*MM 74.100 - MM 74.305
*MM 74.653 - MM 74.762



NORTHBOUND MAINLINE TYPICAL SECTION

MM 70.600 - MM 73.110



NORTHBOUND MAINLINE TYPICAL SECTION

MM 73.487 - MM 74.100
(SEE BANKING DIAGRAM ON SHEET 46 FOR SUPERELEVATION TRANSITIONS
MM 73.487 - MM 73.525 AND MM 74.063 - MM 74.100)

** VARY DEPTH OF COLD PLANE TO CORRECT EXISTING CROSS SLOPE OF LANES AND SHOULDERS
SEE SHEET 45 FOR COLD PLANE DEPTH

PROJECT TYPICAL SHEET 1

PROJECT NAME: HARTLAND-NORWICH
PROJECT NUMBER: IM 091-1(59)

FILE NAME: /pave/06a202/p06a202.dgn PLOT DATE: 21-NOV-2012 11:44
PROJECT LEADER: PTS DRAWN BY: WWG
DESIGNED BY: NLL CHECKED BY: PTS
IPARM FILE NAME: 06A202_09 SHEET 9 OF 60

NOT TO SCALE