

646.426 DURABLE 6 INCH WHITE LINE, RECESSED POLYUREA
 STA. 17+50 TO 19+00, SOLID RT

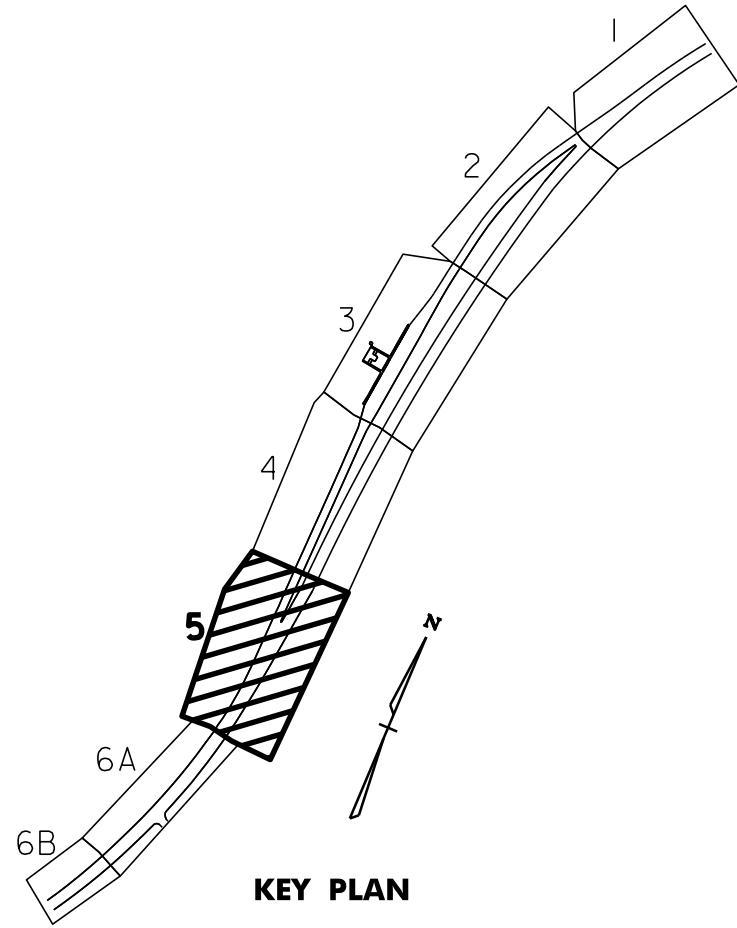
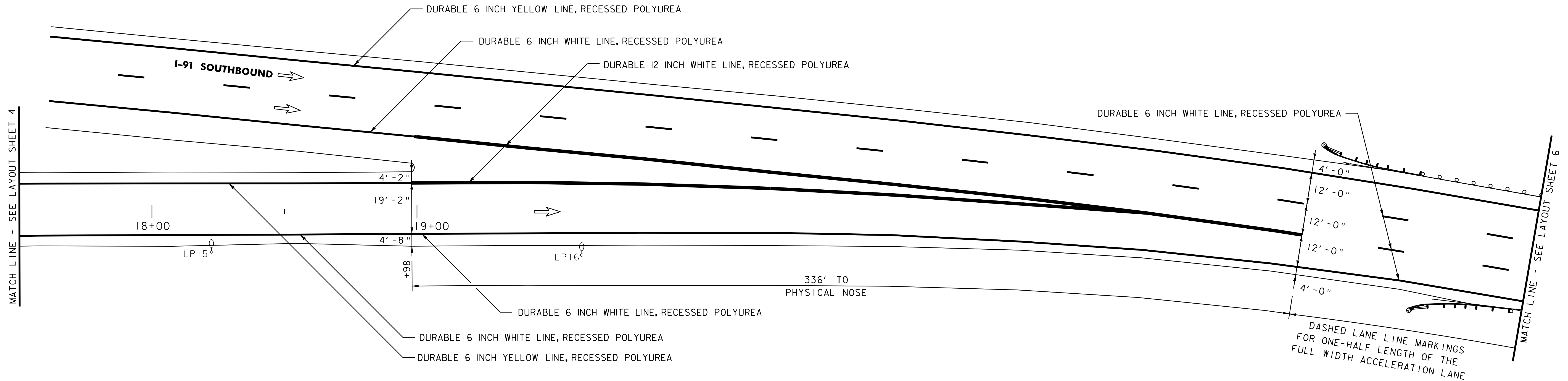
646.436 DURABLE 6 INCH YELLOW LINE, RECESSED POLYUREA
 STA. 17+50 TO 18+98, SOLID LT

646.622 TEMPORARY 6 INCH WHITE LINE, PAINT
 STA. 17+50 TO 19+00, SOLID RT

646.632 TEMPORARY 6 INCH YELLOW LINE, PAINT
 STA. 17+50 TO 18+98, SOLID LT

646.466 DURABLE 12 INCH WHITE LINE, RECESSED POLYUREA
 RAMP GORE - TO BE INSTALLED PER
 THE LATEST EDITION OF THE MUTCD

646.662 TEMPORARY 12 INCH WHITE LINE, PAINT
 RAMP GORE - TO BE INSTALLED PER
 THE LATEST EDITION OF THE MUTCD



NOTES: 1. FOR STRIPING DETAILS AT GORES,
 SEE THE PAVEMENT MARKINGS
 DETAIL SHEET AND THE LATEST
 EDITION OF THE MUTCD.

2. DIRECTION OF TRAVEL ARROW →



NOT TO SCALE

**WELCOME
 CENTER
 LAYOUT
 SHEET #5**

PROJECT NAME: DERBY
 PROJECT NUMBER: IM 091-3(46)

FILE NAME: p06a200.dgn
 PROJECT LEADER: JLL
 DESIGNED BY: STANTEC
 IPARM FILE: p06a200L05.i

PLOT DATE: 07-SEP-2011 10:28
 DRAWN BY: STANTEC
 CHECKED BY: JLL
 SHEET 53 OF 63