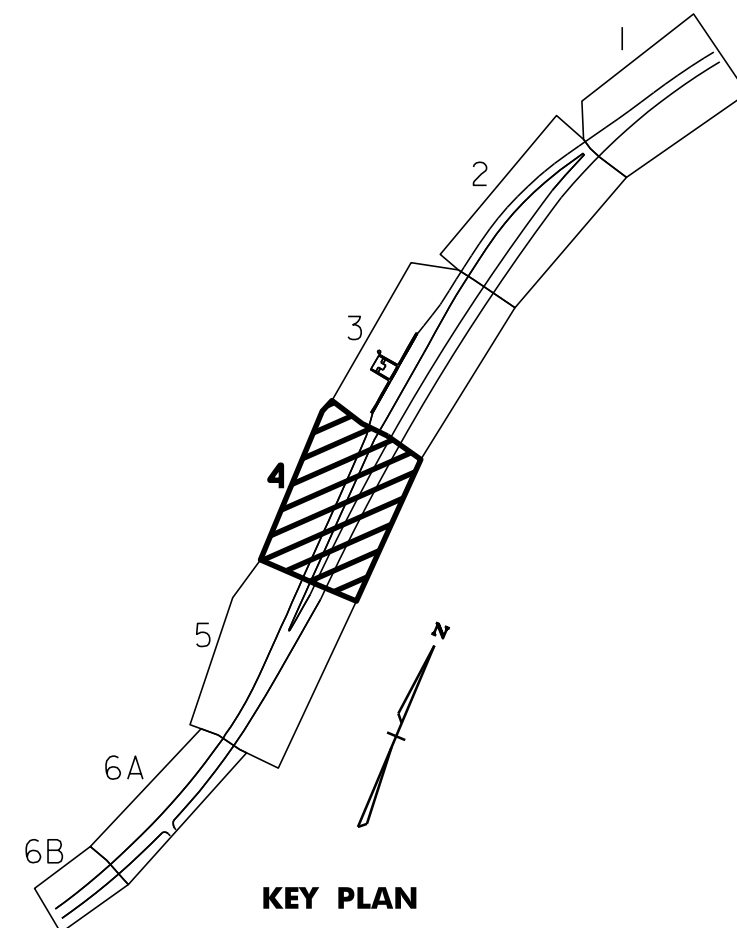
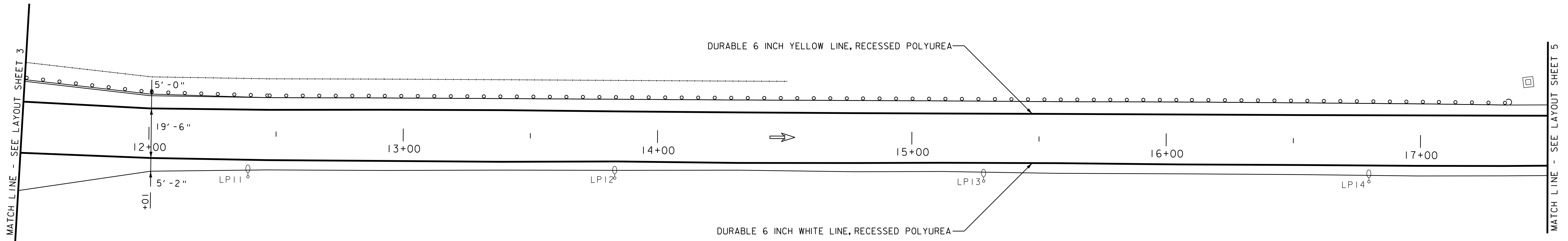


646.426 DURABLE 6 INCH WHITE LINE, RECESSED POLYUREA
STA. 11+50 TO 17+50, SOLID RT

646.436 DURABLE 6 INCH YELLOW LINE, RECESSED POLYUREA
STA. 11+50 TO 17+50, SOLID LT

646.622 TEMPORARY 6 INCH WHITE LINE, PAINT
STA. 11+50 TO 17+50, SOLID RT

646.632 TEMPORARY 6 INCH YELLOW LINE, PAINT
STA. 11+50 TO 17+50, SOLID LT



NOTES: 1. FOR STRIPING DETAILS AT GORES,
SEE THE PAVEMENT MARKINGS
DETAIL SHEET AND THE LATEST
EDITION OF THE MUTCD.

2. DIRECTION OF TRAVEL ARROW →



**WELCOME
CENTER
LAYOUT
SHEET #4**

PROJECT NAME: DERBY
PROJECT NUMBER: IM 091-3(46)

FILE NAME: p06a200.dgn
PROJECT LEADER: JLL
DESIGNED BY: STANTEC
IPARM FILE: p06a200L04.i

PLOT DATE: 07-SEP-2011 10:28
DRAWN BY: STANTEC
CHECKED BY: JLL
SHEET 52 OF 63