

646.426 DURABLE 6 INCH WHITE LINE, RECESSED POLYUREA

STA. 0+00 TO 5+50, SOLID RT

646.436 DURABLE 6 INCH YELLOW LINE, RECESSED POLYUREA

STA. 0+00 TO 5+50, SOLID LT

646.466 DURABLE 12 INCH WHITE LINE, RECESSED POLYUREA

RAMP A GORE - TO BE INSTALLED PER THE LATEST EDITION OF THE MUTCD

646.492 DURABLE LETTER OR SYMBOL, THERMOPLASTIC

STA. 1+77, Q - ARROW

646.622 TEMPORARY 6 INCH WHITE LINE, PAINT

STA. 0+00 TO 5+50, SOLID RT

646.632 TEMPORARY 6 INCH YELLOW LINE, PAINT

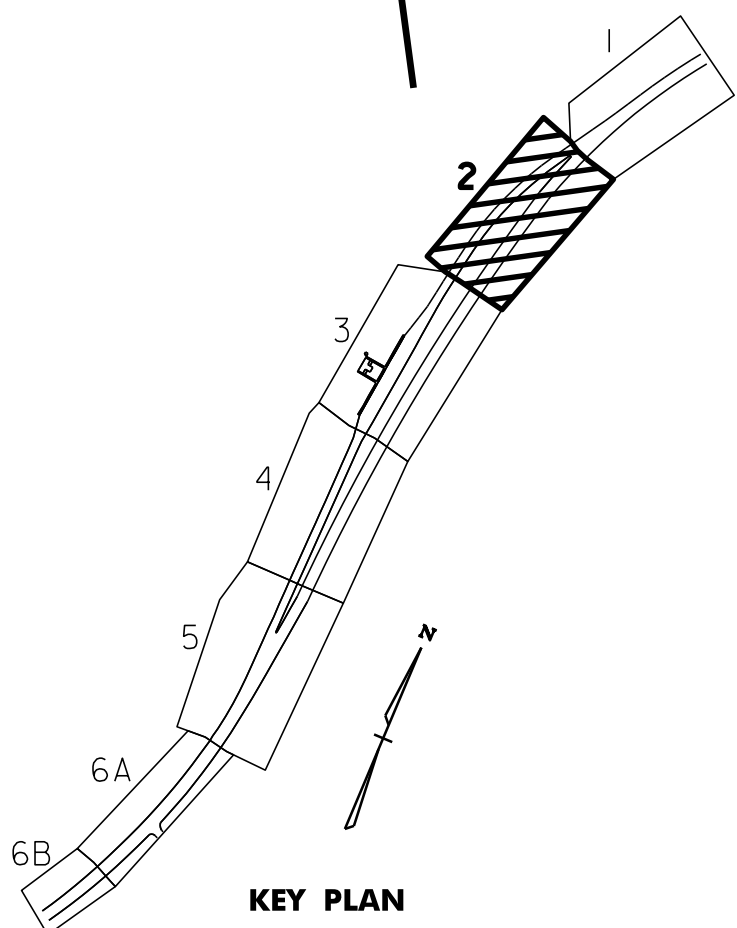
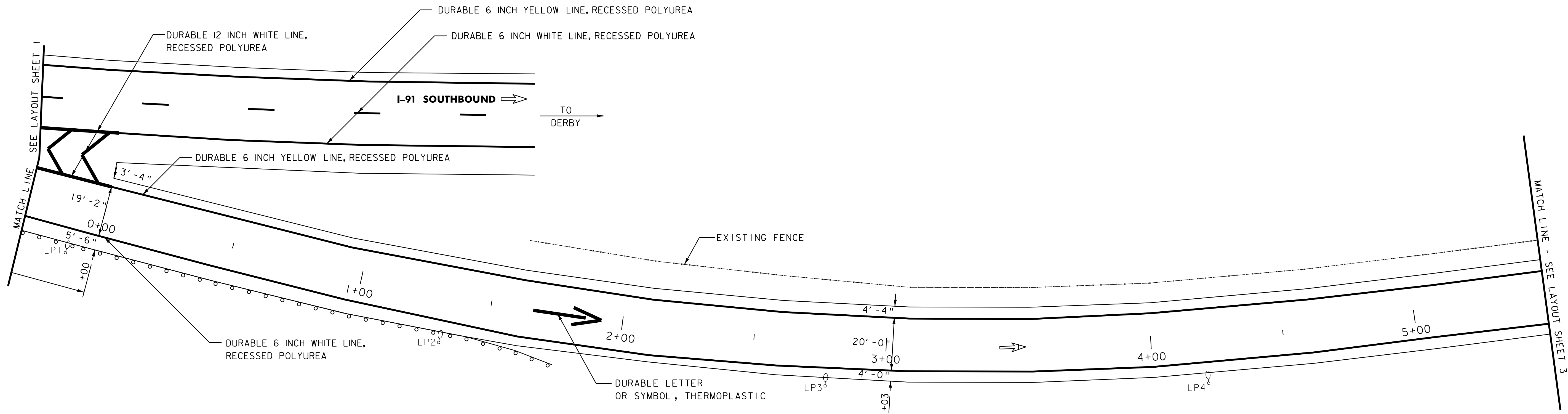
STA. 0+00 TO 5+50, SOLID LT

646.662 TEMPORARY 12 INCH WHITE LINE, PAINT

RAMP A GORE - TO BE INSTALLED PER THE LATEST EDITION OF THE MUTCD

646.692 TEMPORARY LETTER OR SYMBOL, PAINT

STA. 1+77, Q - ARROW



NOTES: 1. FOR STRIPING DETAILS AT GORES, SEE THE PAVEMENT MARKINGS DETAIL SHEET AND THE LATEST EDITION OF THE MUTCD.

2. DIRECTION OF TRAVEL ARROW →



NOT TO SCALE

WELCOME CENTER LAYOUT SHEET #2

PROJECT NAME: DERBY
PROJECT NUMBER: IM 091-3(46)

FILE NAME: p06a200.dgn
PROJECT LEADER: JLL
DESIGNED BY: STANTEC
IPARM FILE: p06a200L02.i

PLOT DATE: 07-SEP-2011 10:27
DRAWN BY: STANTEC
CHECKED BY: JLL
SHEET 50 OF 63