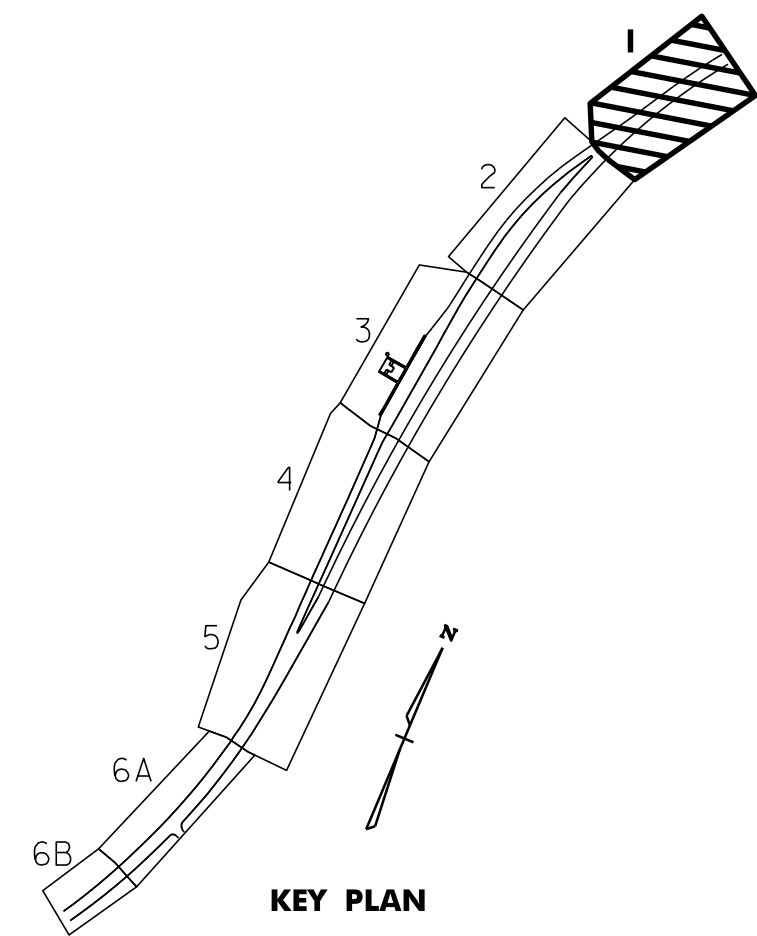
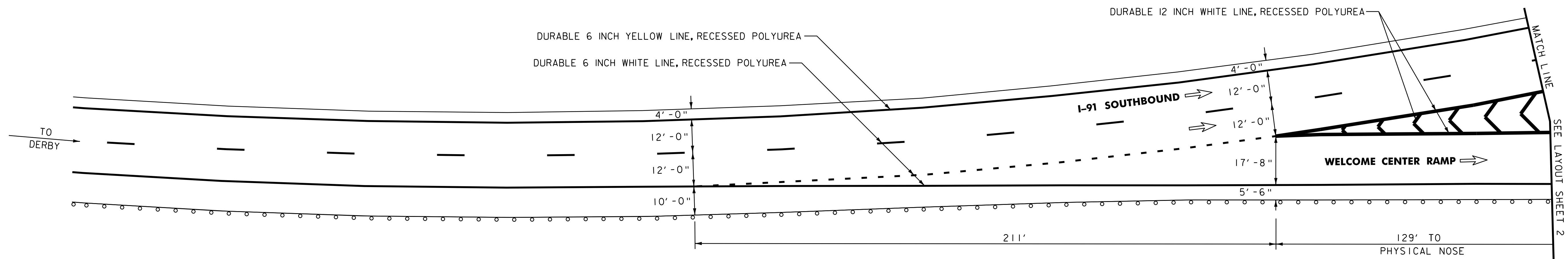


646.466 DURABLE 12 INCH WHITE LINE, RECESSED POLYUREA
 RAMP GORE - TO BE INSTALLED PER
 THE LATEST EDITION OF THE MUTCD

646.662 TEMPORARY 12 INCH WHITE LINE, PAINT
 RAMP GORE - TO BE INSTALLED PER
 THE LATEST EDITION OF THE MUTCD



NOTES: 1. FOR STRIPING DETAILS AT GORES, SEE THE PAVEMENT MARKINGS DETAIL SHEET AND THE LATEST EDITION OF THE MUTCD.

2. DIRECTION OF TRAVEL ARROW →



NOT TO SCALE

WELCOME CENTER LAYOUT SHEET #1

PROJECT NAME: DERBY
 PROJECT NUMBER: IM 091-3(46)

FILE NAME: p06a200.dgn
 PROJECT LEADER: JLL
 DESIGNED BY: STANTEC
 IPARM FILE: p06a200L01.i

PLOT DATE: 07-SEP-2011 10:27
 DRAWN BY: STANTEC
 CHECKED BY: JLL
 SHEET 49 OF 63