

646.426 DURABLE 6 INCH WHITE LINE, RECESSED POLYUREA
STA. 5+50 TO 6+51, SOLID RT

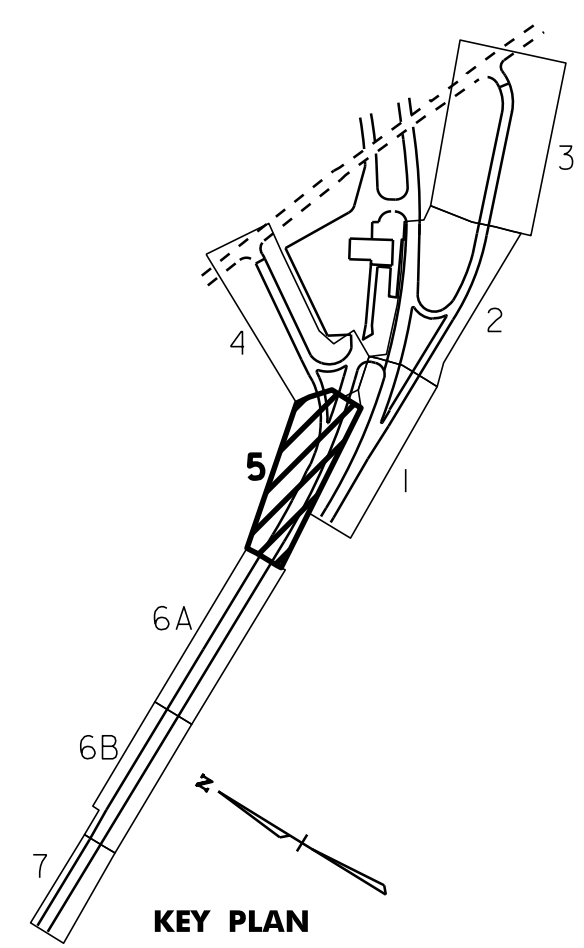
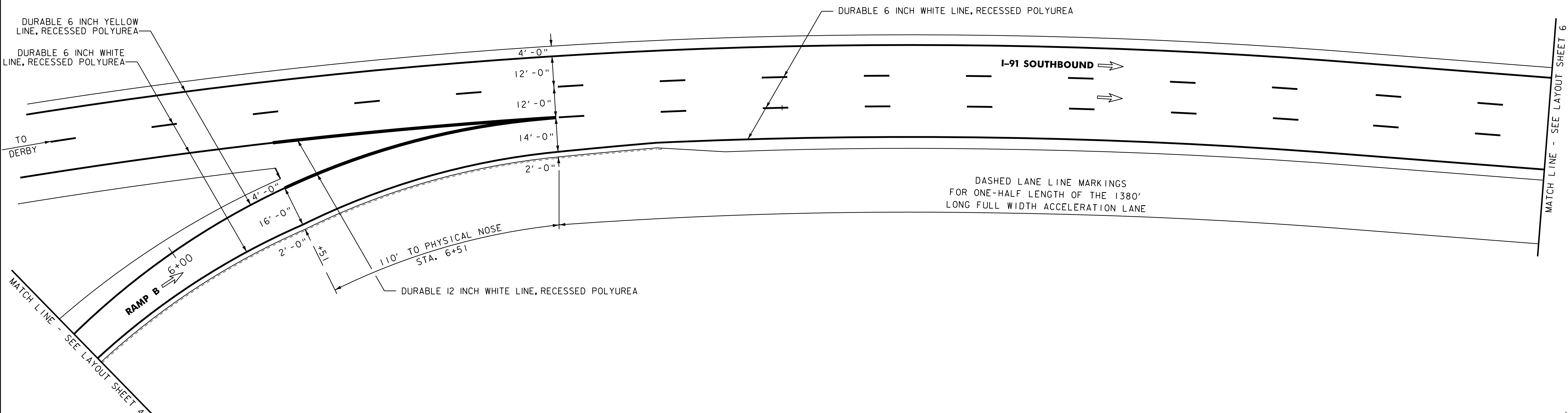
646.436 DURABLE 6 INCH YELLOW LINE, RECESSED POLYUREA
STA. 5+50 TO 6+51, SOLID CL

646.622 TEMPORARY 6 INCH WHITE LINE, PAINT
STA. 5+50 TO 6+51, SOLID RT

646.632 TEMPORARY 6 INCH YELLOW LINE, PAINT
STA. 5+50 TO 6+51, SOLID CL

646.466 DURABLE 12 INCH WHITE LINE, RECESSED POLYUREA
RAMP B GORE - TO BE INSTALLED PER
THE LATEST EDITION OF THE MUTCD

646.662 TEMPORARY 12 INCH WHITE LINE, PAINT
RAMP B GORE - TO BE INSTALLED PER
THE LATEST EDITION OF THE MUTCD



NOTES: 1. FOR STRIPING DETAILS AT GORES, SEE THE PAVEMENT MARKINGS DETAIL SHEET AND THE LATEST EDITION OF THE MUTCD.

2. DIRECTION OF TRAVEL ARROW →



INTERCHANGE 29 LAYOUT SHEET #5

NOT TO SCALE

PROJECT NAME: DERBY	PLOT DATE: 07-SEP-2011 10:27
PROJECT NUMBER: IM 091-3(46)	DRAWN BY: STANTEC
FILE NAME: p06a200.dgn	CHECKED BY: JLL
DESIGNED BY: STANTEC	SHEET 46 OF 63
IPARM FILE: p06a200L05.i	