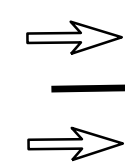


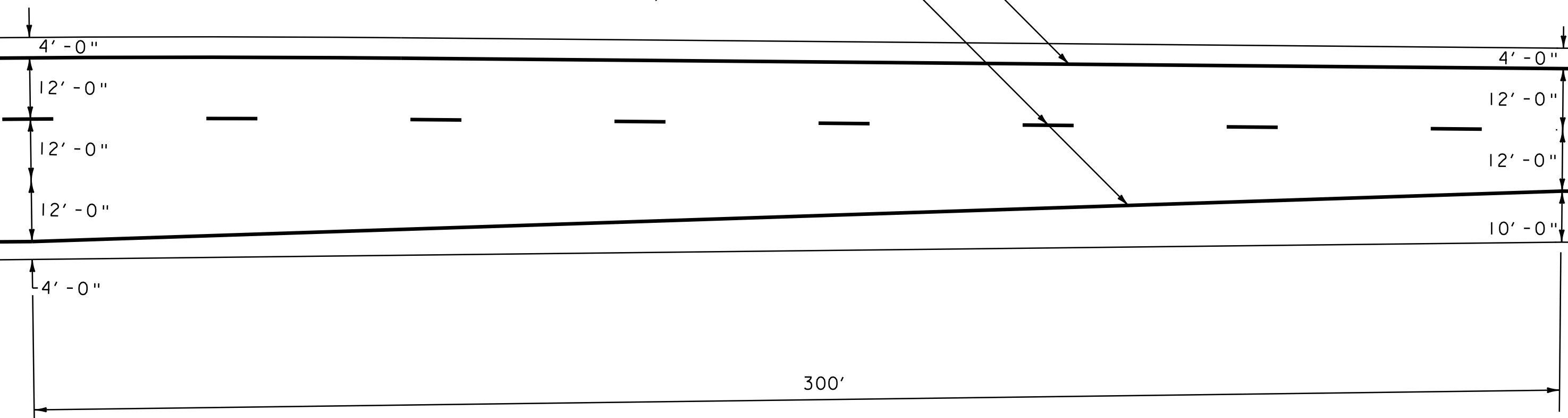
MATCH LINE - SEE LAYOUT SHEET 8

I-91 SOUTHBOUND

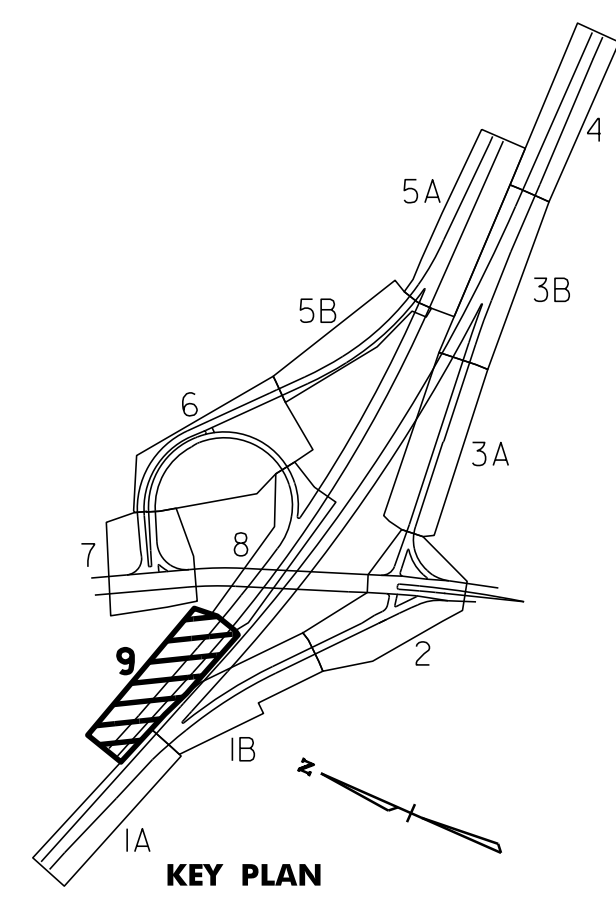


DURABLE 6 INCH YELLOW LINE, RECESSED POLYUREA

DURABLE 6 INCH WHITE LINE, RECESSED POLYUREA



TO NEWPORT



NOTES: 1. FOR STRIPING DETAILS AT GORES, SEE THE PAVEMENT MARKINGS DETAIL SHEET AND THE LATEST EDITION OF THE MUTCD.

2. DIRECTION OF TRAVEL ARROW



# INTERCHANGE 28 LAYOUT SHEET #9

NOT TO SCALE

PROJECT NAME: DERBY  
PROJECT NUMBER: IM 091-3(46)

FILE NAME: p06a200.dgn  
PROJECT LEADER: JLL  
DESIGNED BY: STANTEC  
IPARM FILE: p06a200L09.i

PLOT DATE: 07-SEP-2011 10:26  
DRAWN BY: STANTEC  
CHECKED BY: JLL  
SHEET 41 OF 63