

604.412, 604.415 OR 604.418
 REHAB. Dis, CBs OR MHS, CLASS I, II OR III
 RAMP C STA. 5+29, RT
 RAMP C STA. 5+29, LT
 RAMP C STA. 5+62, LT

616.47 BITUMINOUS CONCRETE GUTTERS AND TRAFFIC ISLAND
 RAMP C STA. 6+17 - 6+42, LT
 RAMP C STA. 7+86, RT
 (SEE MISCELLANEOUS DETAIL SHEET)

646.426 DURABLE 6 INCH WHITE LINE, RECESSED POLYUREA
 RAMP B STA. 6+00 TO 12+50, SOLID CL
 RAMP C STA. 2+71 TO 9+24, SOLID RT

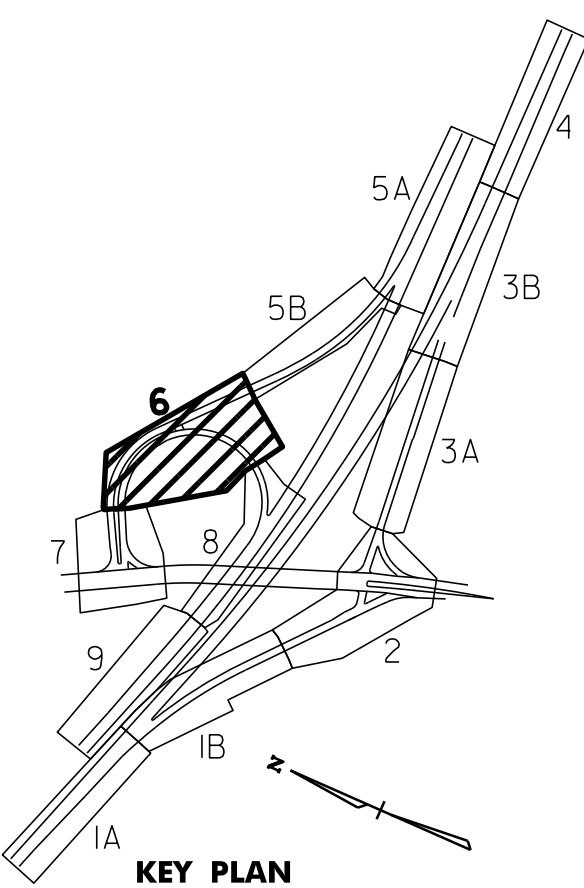
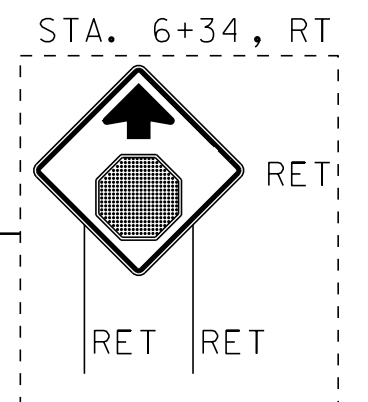
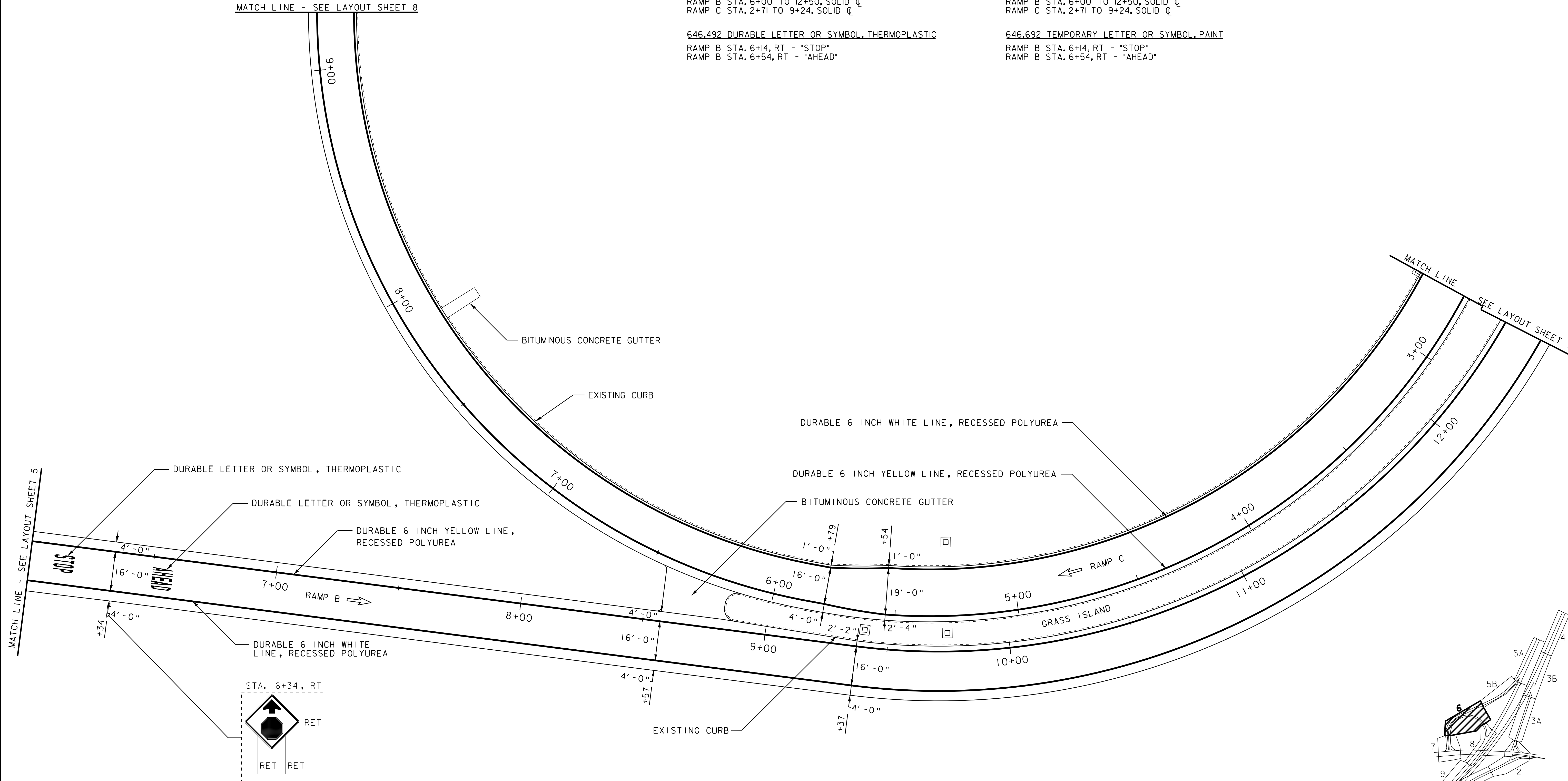
646.436 DURABLE 6 INCH YELLOW LINE, RECESSED POLYUREA
 RAMP B STA. 6+00 TO 12+50, SOLID CL
 RAMP C STA. 2+71 TO 9+24, SOLID CL

646.492 DURABLE LETTER OR SYMBOL, THERMOPLASTIC
 RAMP B STA. 6+14, RT - "STOP"
 RAMP B STA. 6+54, RT - "AHEAD"

646.622 TEMPORARY 6 INCH WHITE LINE, PAINT
 RAMP B STA. 6+00 TO 12+50, SOLID RT
 RAMP C STA. 2+71 TO 9+24, SOLID RT

646.632 TEMPORARY 6 INCH YELLOW LINE, PAINT
 RAMP B STA. 6+00 TO 12+50, SOLID CL
 RAMP C STA. 2+71 TO 9+24, SOLID CL

646.692 TEMPORARY LETTER OR SYMBOL, PAINT
 RAMP B STA. 6+14, RT - "STOP"
 RAMP B STA. 6+54, RT - "AHEAD"



NOTES: 1. FOR STRIPING DETAILS AT GORES, SEE THE PAVEMENT MARKINGS DETAIL SHEET AND THE LATEST EDITION OF THE MUTCD.
 2. DIRECTION OF TRAVEL ARROW →



INTERCHANGE 28 LAYOUT SHEET #6

PROJECT NAME: DERBY	PLOT DATE: 07-SEP-2011 10:26
PROJECT NUMBER: IM 091-3(46)	DRAWN BY: STANTEC
FILE NAME: p06a200.dgn	CHECKED BY: JLL
DESIGNED BY: STANTEC	SHEET 38 OF 63
IPARM FILE: p06a200L06.i	

NOT TO SCALE