

646.426 DURABLE 6 INCH WHITE LINE, RECESSED POLYUREA
STA. 0+00 TO 0+50, SOLID RT

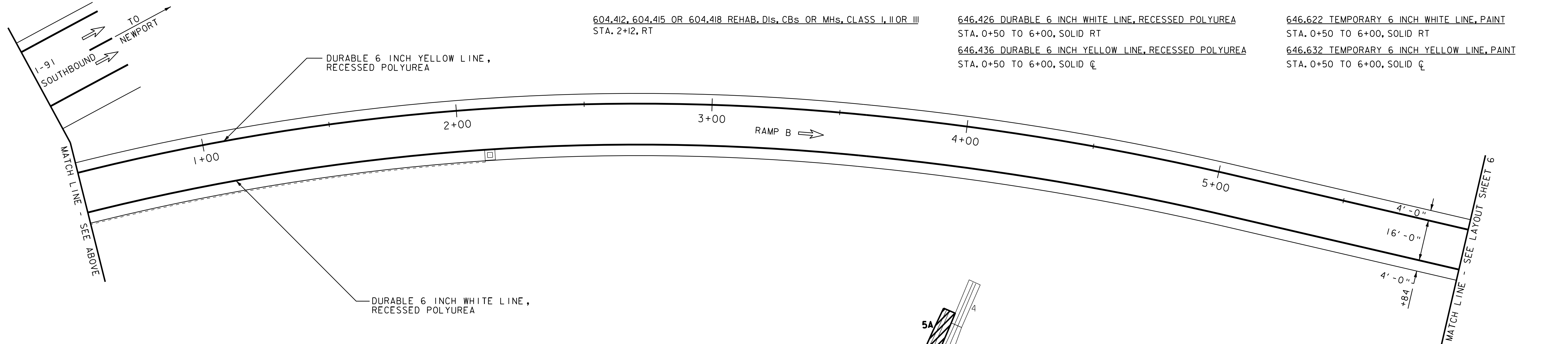
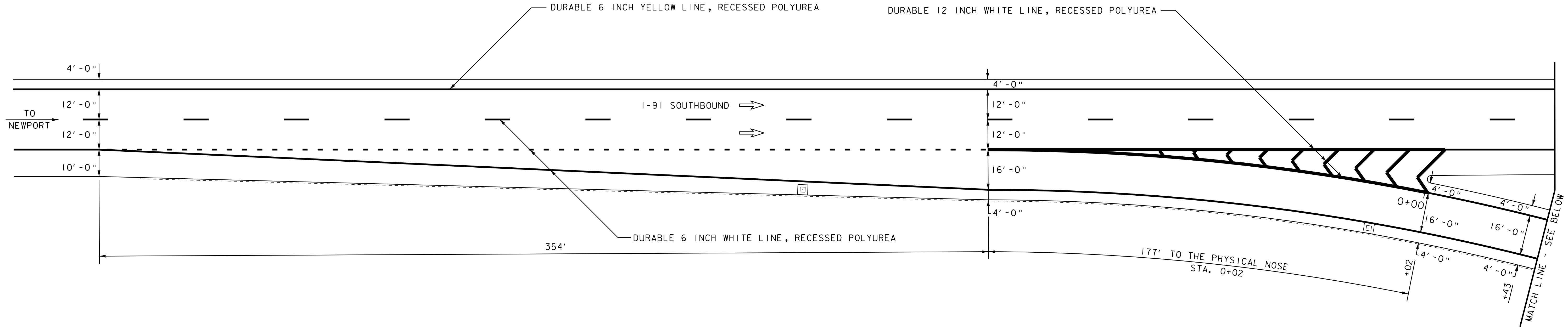
646.436 DURABLE 6 INCH YELLOW LINE, RECESSED POLYUREA
STA. 0+00 TO 0+50, SOLID C

646.622 TEMPORARY 6 INCH WHITE LINE, PAINT
STA. 0+00 TO 0+50, SOLID RT

646.632 TEMPORARY 6 INCH YELLOW LINE, PAINT
STA. 0+00 TO 0+50, SOLID C

646.466 DURABLE 12 INCH WHITE LINE, RECESSED POLYUREA
RAMP B GORE - TO BE INSTALLED PER
THE LATEST EDITION OF THE MUTCD

646.662 TEMPORARY 12 INCH WHITE LINE, PAINT
RAMP B GORE - TO BE INSTALLED PER
THE LATEST EDITION OF THE MUTCD



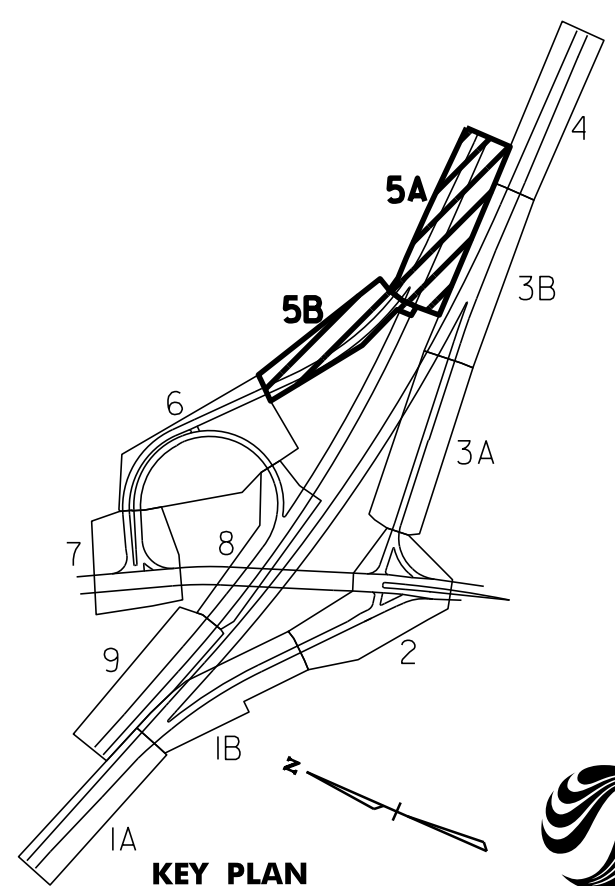
604.412, 604.415 OR 604.418 REHAB. Dis, CBs OR MHs, CLASS I, II OR III
STA. 2+12, RT

646.426 DURABLE 6 INCH WHITE LINE, RECESSED POLYUREA
STA. 0+50 TO 6+00, SOLID RT

646.622 TEMPORARY 6 INCH WHITE LINE, PAINT
STA. 0+50 TO 6+00, SOLID RT

646.436 DURABLE 6 INCH YELLOW LINE, RECESSED POLYUREA
STA. 0+50 TO 6+00, SOLID C

646.632 TEMPORARY 6 INCH YELLOW LINE, PAINT
STA. 0+50 TO 6+00, SOLID C



NOTES: 1. FOR STRIPING DETAILS AT GORES, SEE THE PAVEMENT MARKINGS DETAIL SHEET AND THE LATEST EDITION OF THE MUTCD.
2. DIRECTION OF TRAVEL ARROW →

**INTERCHANGE
28 LAYOUT
SHEET
#5A & #5B**



PROJECT NAME: DERBY	PLOT DATE: 07-SEP-2011 10:25
PROJECT NUMBER: IM 091-3(46)	DRAWN BY: STANTEC
FILE NAME: p06a200.dgn	CHECKED BY: JLL
DESIGNED BY: STANTEC	SHEET 37 OF 63
IPARM FILE: p06a200L05.i	