

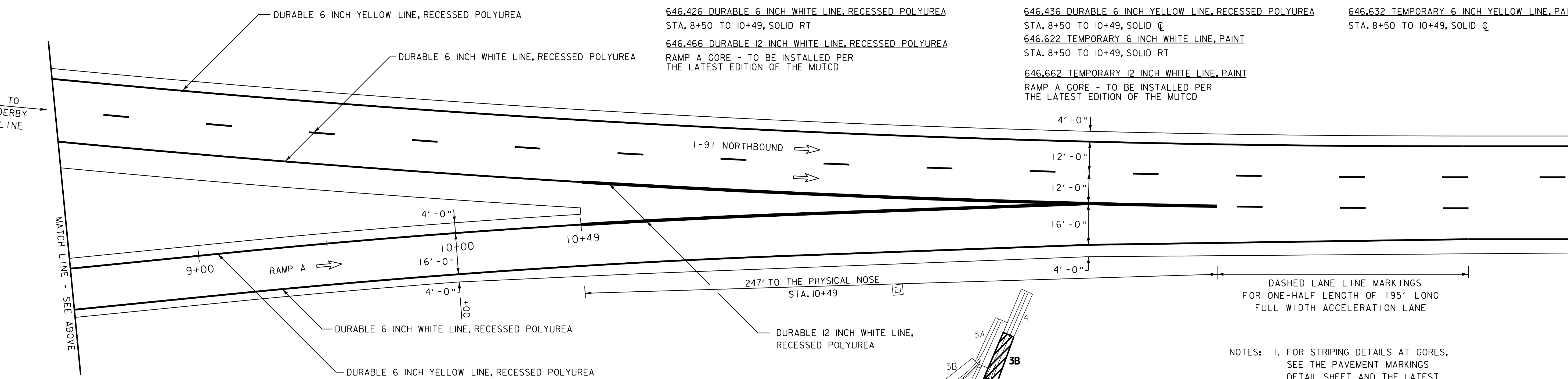
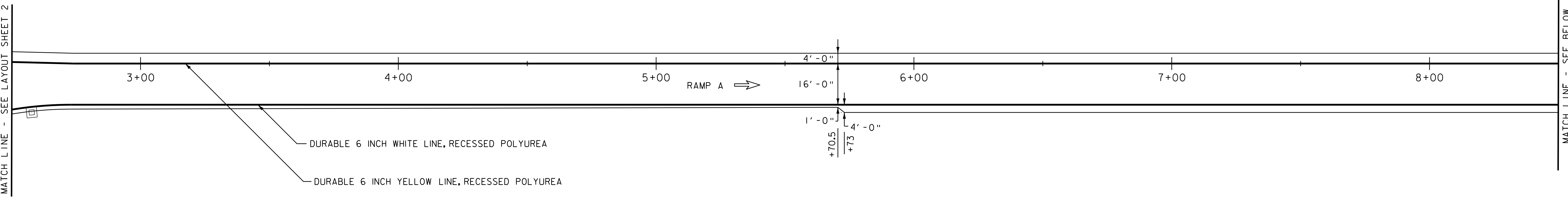
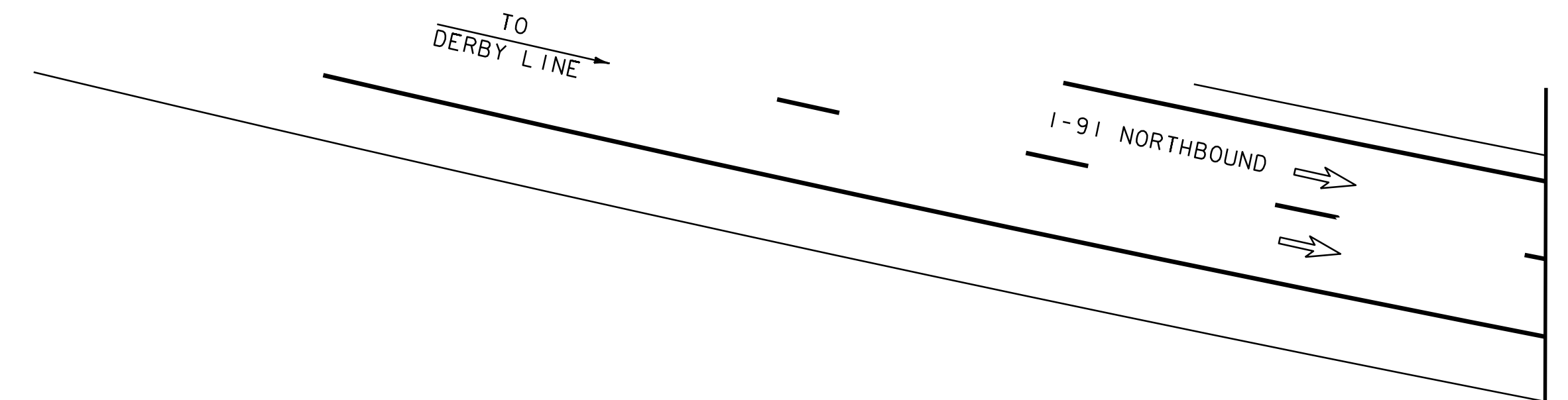
604.412, 604.415 OR 604.418 REHAB. DIS, CBS OR MHS, CLASS I, II OR III
STA. 2+56, RT

646.426 DURABLE 6 INCH WHITE LINE, RECESSED POLYUREA
STA. 2+50 TO 8+50, SOLID RT

646.622 TEMPORARY 6 INCH WHITE LINE, PAINT
STA. 2+50 TO 8+50, SOLID RT

646.436 DURABLE 6 INCH YELLOW LINE, RECESSED POLYUREA
STA. 2+50 TO 8+50, SOLID CL

646.632 TEMPORARY 6 INCH YELLOW LINE, PAINT
STA. 2+50 TO 8+50, SOLID CL



646.426 DURABLE 6 INCH WHITE LINE, RECESSED POLYUREA
STA. 8+50 TO 10+49, SOLID RT

646.466 DURABLE 12 INCH WHITE LINE, RECESSED POLYUREA
RAMP A GORE - TO BE INSTALLED PER THE LATEST EDITION OF THE MUTCD

646.436 DURABLE 6 INCH YELLOW LINE, RECESSED POLYUREA
STA. 8+50 TO 10+49, SOLID CL

646.622 TEMPORARY 6 INCH WHITE LINE, PAINT
STA. 8+50 TO 10+49, SOLID RT

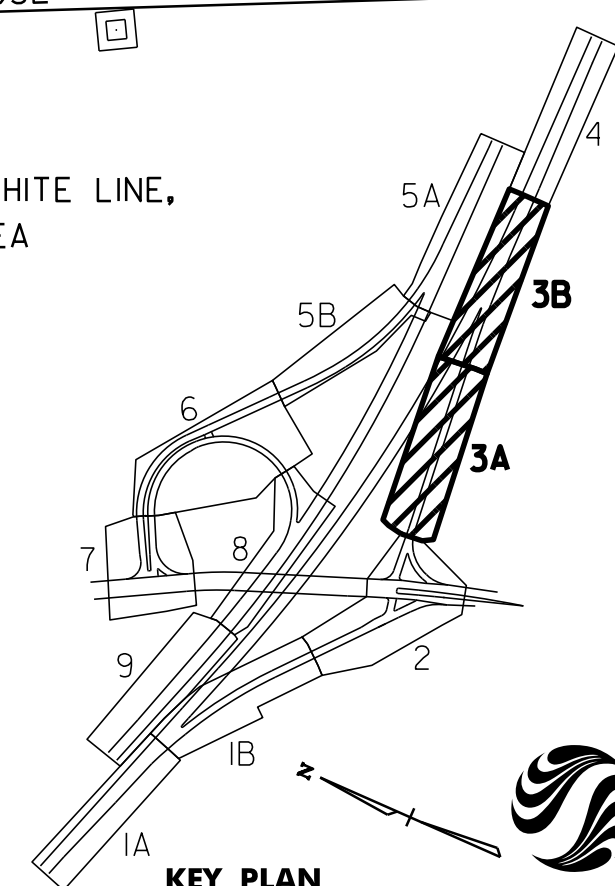
646.632 TEMPORARY 6 INCH YELLOW LINE, PAINT
STA. 8+50 TO 10+49, SOLID CL

646.662 TEMPORARY 12 INCH WHITE LINE, PAINT
RAMP A GORE - TO BE INSTALLED PER THE LATEST EDITION OF THE MUTCD

DASHED LANE LINE MARKINGS FOR ONE-HALF LENGTH OF 195' LONG FULL WIDTH ACCELERATION LANE

NOTES: 1. FOR STRIPING DETAILS AT GORES, SEE THE PAVEMENT MARKINGS DETAIL SHEET AND THE LATEST EDITION OF THE MUTCD.

2. DIRECTION OF TRAVEL ARROW →



NOT TO SCALE
INTERCHANGE 28 LAYOUT SHEET #3A & #3B

PROJECT NAME: DERBY	PLOT DATE: 07-SEP-2011 10:25
PROJECT NUMBER: IM 091-3(46)	DRAWN BY: STANTEC
FILE NAME: p06a200.dgn	CHECKED BY: JLL
PROJECT LEADER: JLL	SHEET 35 OF 63
DESIGNED BY: STANTEC	
IPARM FILE: p06a200L03.i	