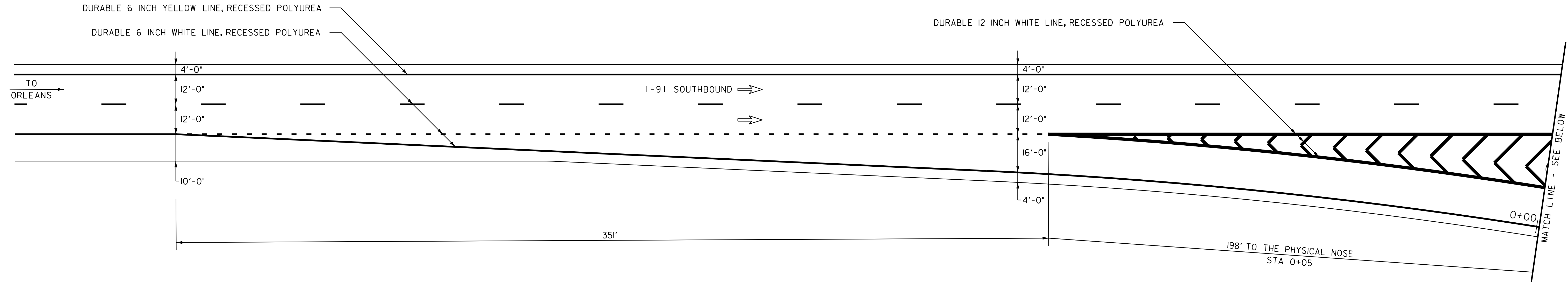


646.466 DURABLE 12 INCH WHITE LINE, RECESSED POLYUREA
 RAMP C GORE - TO BE INSTALLED PER
 THE LATEST EDITION OF THE MUTCD

646.662 TEMPORARY 12 INCH WHITE LINE, PAINT
 RAMP C GORE - TO BE INSTALLED PER
 THE LATEST EDITION OF THE MUTCD



646.426 DURABLE 6 INCH WHITE LINE, RECESSED POLYUREA
 STA. 0+05 TO 5+50, SOLID C

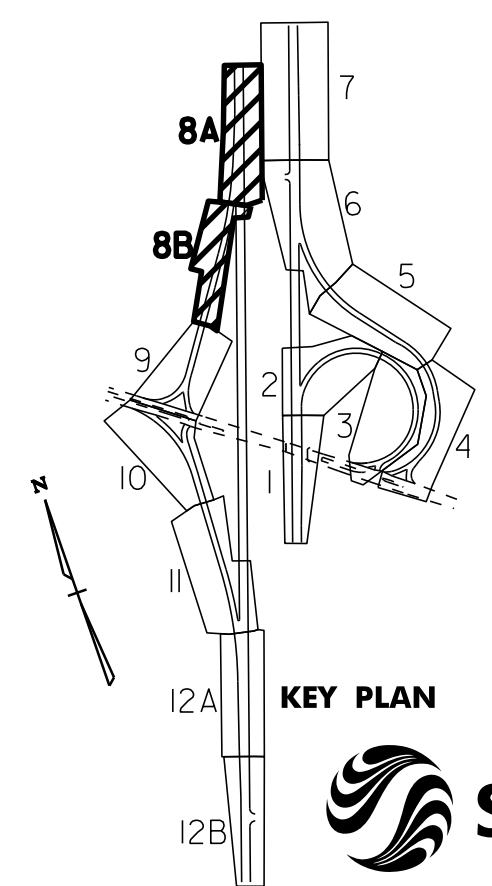
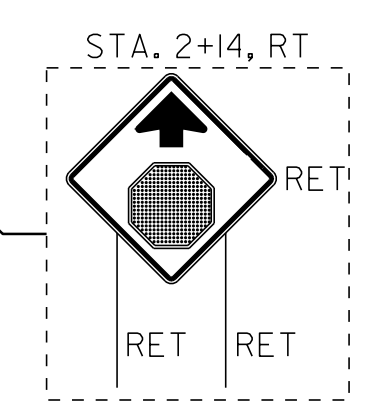
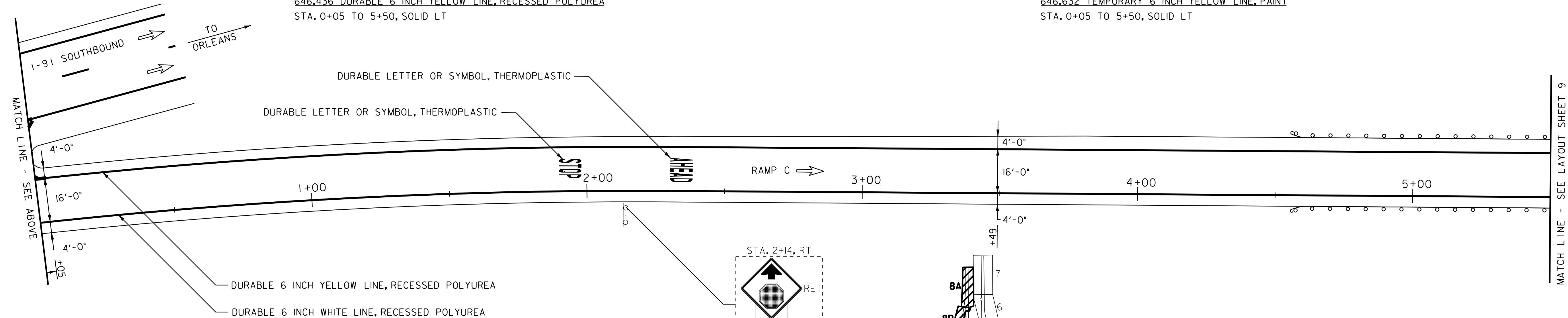
646.436 DURABLE 6 INCH YELLOW LINE, RECESSED POLYUREA
 STA. 0+05 TO 5+50, SOLID LT

646.492 DURABLE LETTER OR SYMBOL, THERMOPLASTIC
 STA. 1+94, LT - "STOP"
 STA. 2+34, LT - "AHEAD"

646.622 TEMPORARY 6 INCH WHITE LINE, PAINT
 STA. 0+05 TO 5+50, SOLID C

646.632 TEMPORARY 6 INCH YELLOW LINE, PAINT
 STA. 0+05 TO 5+50, SOLID LT

646.692 TEMPORARY LETTER OR SYMBOL, PAINT
 STA. 1+94, LT - "STOP"
 STA. 2+34, LT - "AHEAD"



NOTES: 1. FOR STRIPING DETAILS AT GORES, SEE THE PAVEMENT MARKINGS DETAIL SHEET AND THE LATEST EDITION OF THE MUTCD.

2. DIRECTION OF TRAVEL ARROW ⇨

INTERCHANGE 27 LAYOUT SHEET #8A & #8B	PROJECT NAME: DERBY	PLOT DATE: 07-SEP-2011 10:24 DRAWN BY: STANTEC CHECKED BY: JLL SHEET 28 OF 63
	PROJECT NUMBER: IM 091-3(46)	
	FILE NAME: p06a200.dgn	
	DESIGNED BY: STANTEC	
		IPARM FILE: p06a200i08