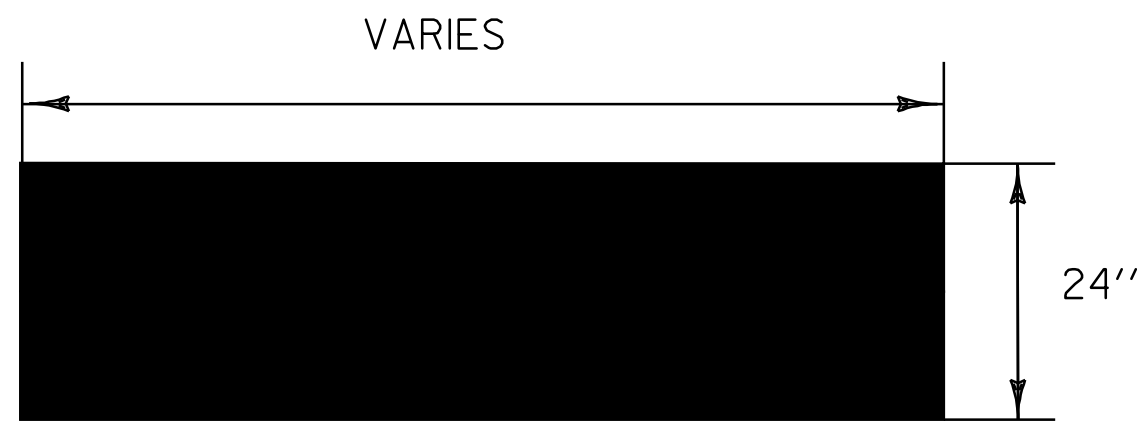
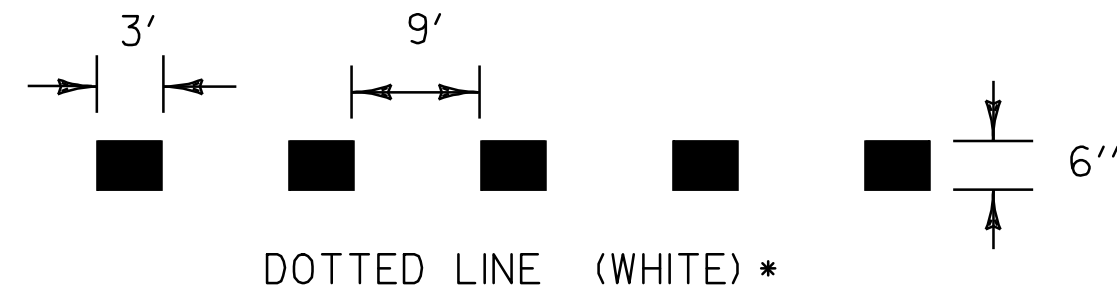
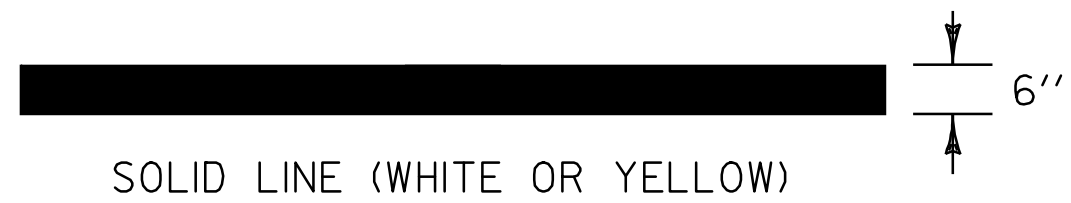


* TO BE INSTALLED ONLY AT THE DIRECTION OF THE RESIDENT ENGINEER



STOP BAR DETAIL

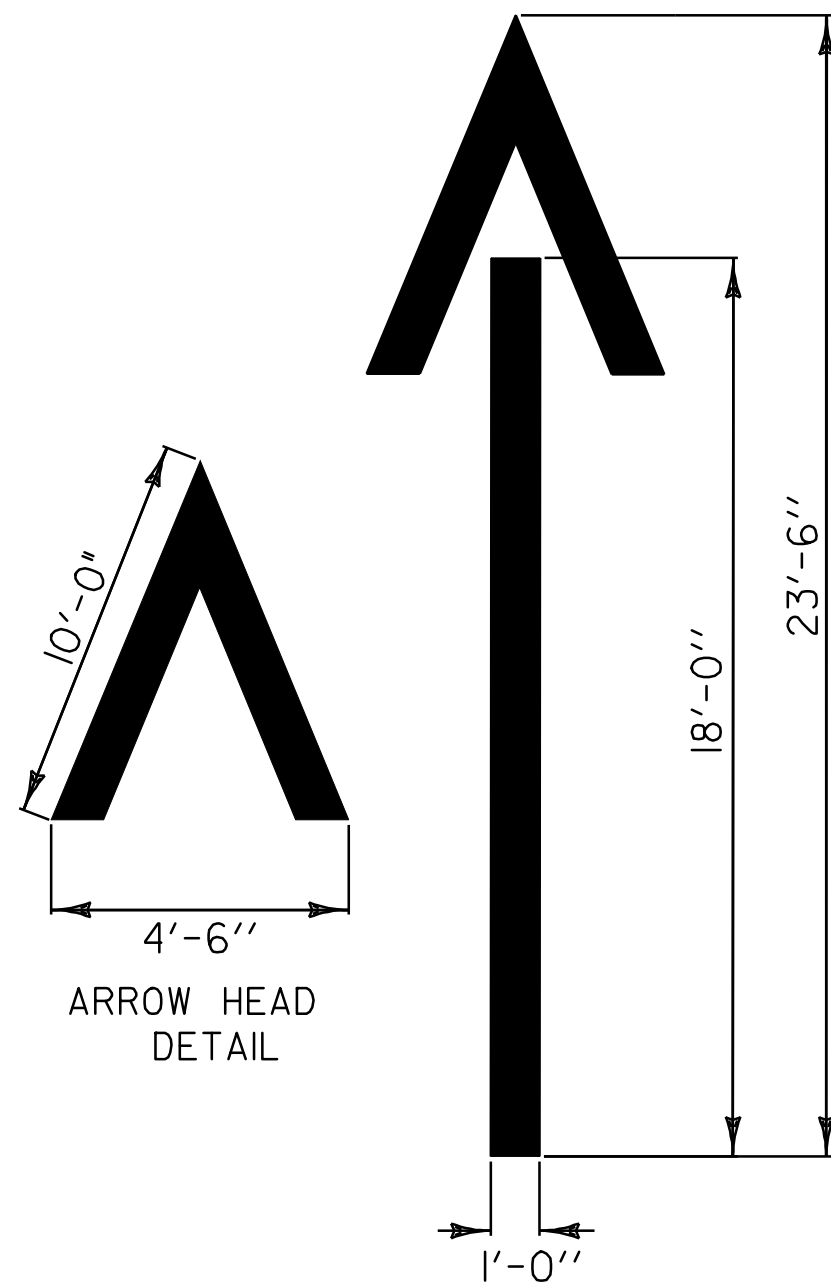


SOLID LINE (WHITE OR YELLOW)

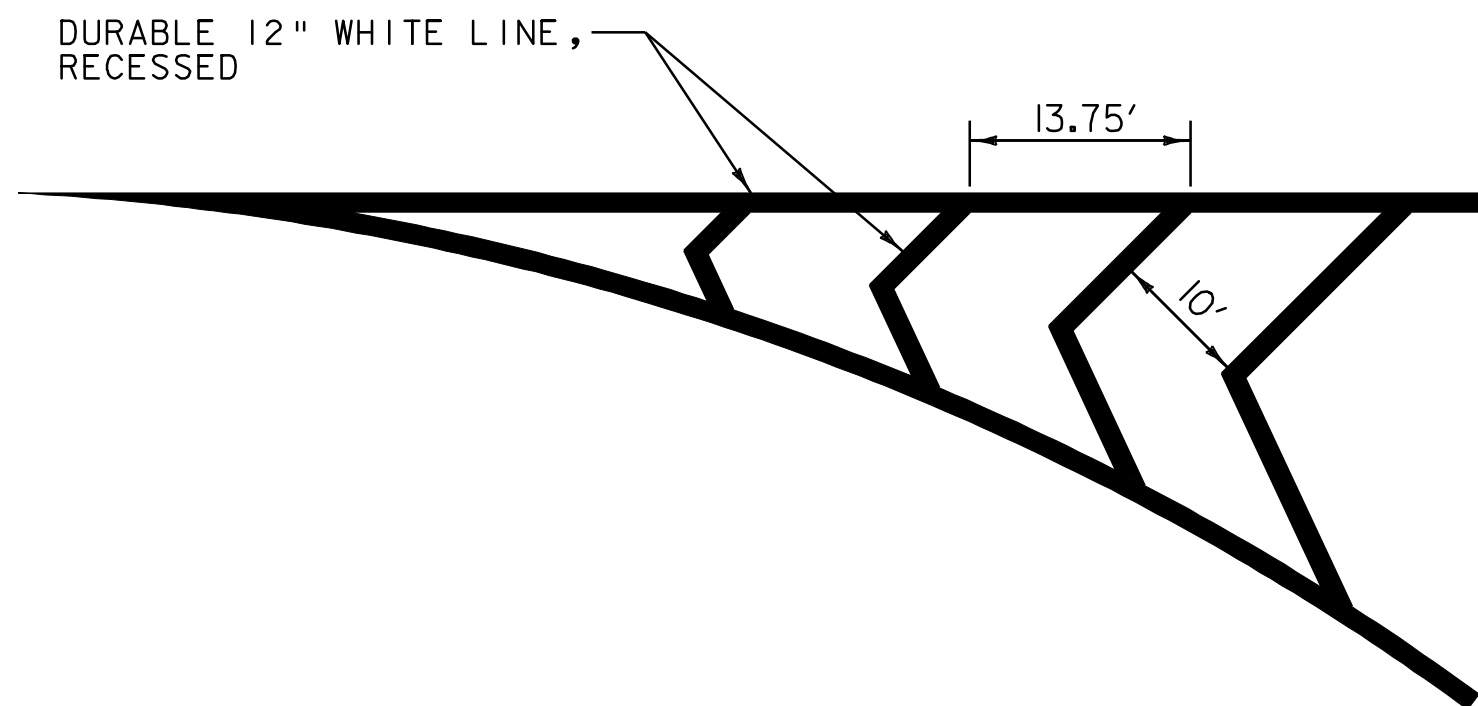


CHANNELIZING LINE (WHITE)

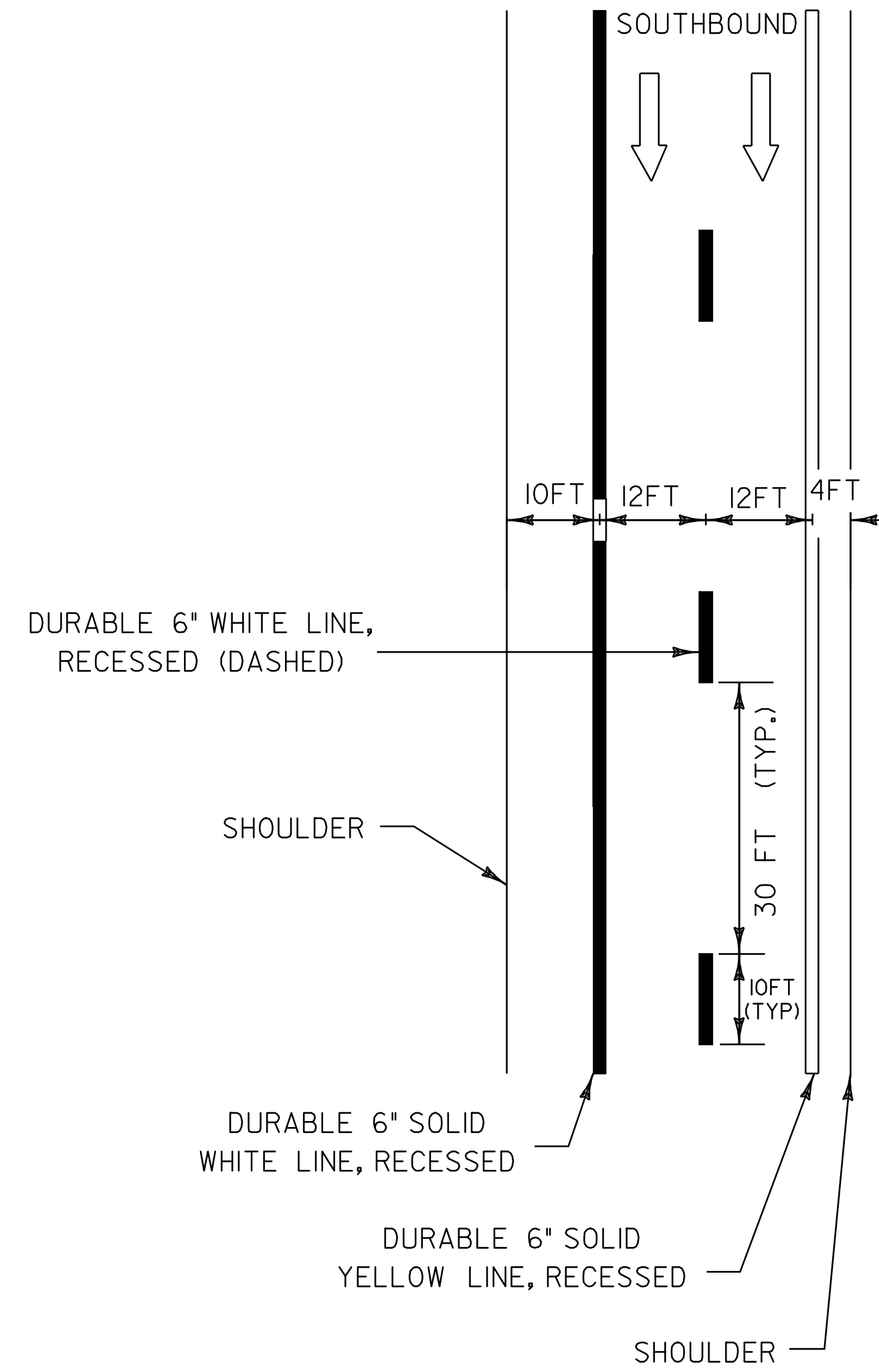
PAVEMENT MARKING LINE DETAILS



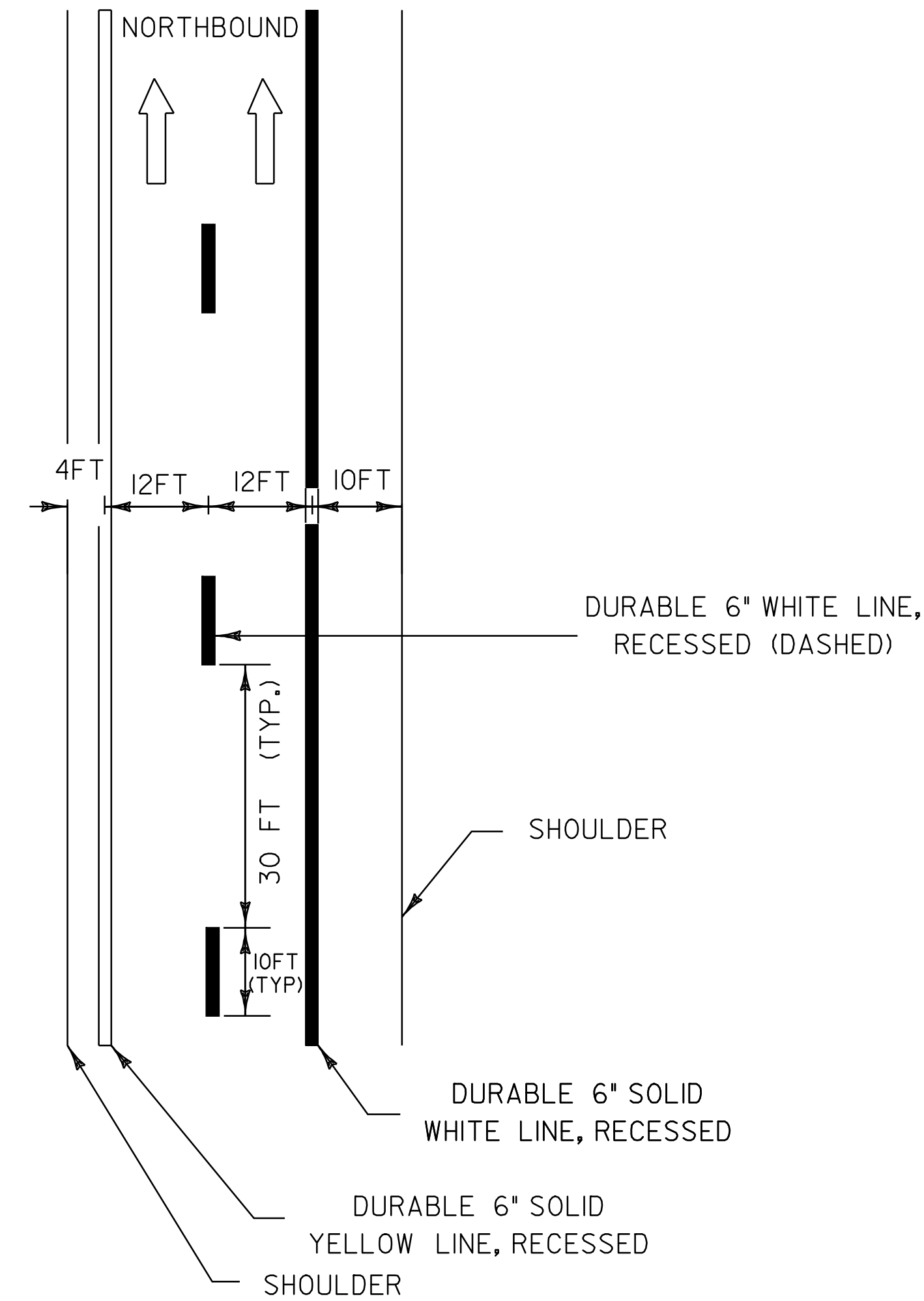
WRONG-WAY ARROW DETAILS



GORE MARKING DETAIL



TYPICAL MAINLINE MARKING PLAN



LEGEND

- 6" WHITE LINES
- 6" YELLOW LINES
- DIRECTION OF TRAFFIC FLOW

TYPICAL PAVEMENT MARKINGS

PROJECT NAME: ROYALTON-BETHEL	PLOT DATE: 28-JUN-2010 15:12
PROJECT NUMBER: IM 089-1(54)	DRAWN BY: MRS
FILE NAME: p06a198.dgn	CHECKED BY: PTS
PROJECT LEADER: PTS	SHEET 34 OF 37
DESIGNED BY: NULL	
IPARM FILE NAME: p06a198+pm.l	

NOT TO SCALE