

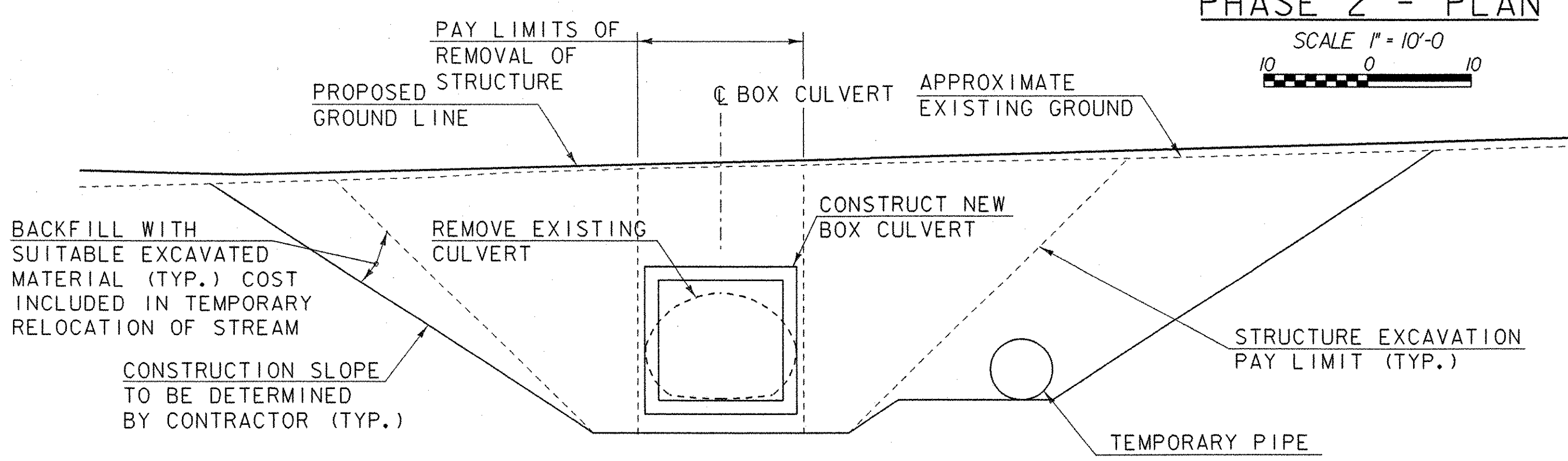
PHASE 2 - PLAN

PHASE 2 NOTES

NOTE

1. INSPECT EXISTING CULVERT AREA TO DETERMINE LIMITS OF TEMPORARY SHORING OR REPAIR.
2. DIVERT TRAFFIC PER THE TRAFFIC CONTROL PLANS.
3. INSTALL TEMPORARY STEEL SHEET PILING OR OTHER REQUIRED EXCAVATION SUPPORTS.
4. EXCAVATE AND INSTALL EXTENSION TO TEMPORARY PIPE.
5. DIVERT FLOW OF WATER THROUGH TEMPORARY PIPE.
6. REMOVE EXISTING CULVERT.
7. CONSTRUCT PHASE 2 BOX CULVERT.
8. CONSTRUCT ROADWAY.

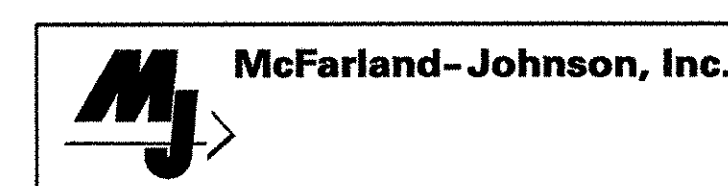
1. FOR ADDITIONAL CULVERT PHASING NOTES, SEE GENERAL NOTES.



PHASE 2 - SECTION

**STATE OF VERMONT
AGENCY OF TRANSPORTATION**

Town Of	S. BURLINGTON	Bridge No.	67-1
Highway No.	1-89	Log Sta.	
		Surv. Sta.	
1-89 OVER POTASH BROOK TRIBUTARY CULVERT PHASING DETAILS (2 OF 3)			
Designed By	LKW	Drawn By	SFD
Checked By		Bridge Design Supervisor	
RLJ	09/07	TTK	Date 09/07
PROJECT	SOUTH BURLINGTON		PROJECT NO. AC 1M CULV (9)
I.G.C. Info. m:\656310 1-89 Culvert\BRIDGE\2Cadd\final-prelim\z05k286TC2.dgn			
Bridge Sheet No.	Sheet 53 of 63		



PLOTTED DATE: 09/07/07