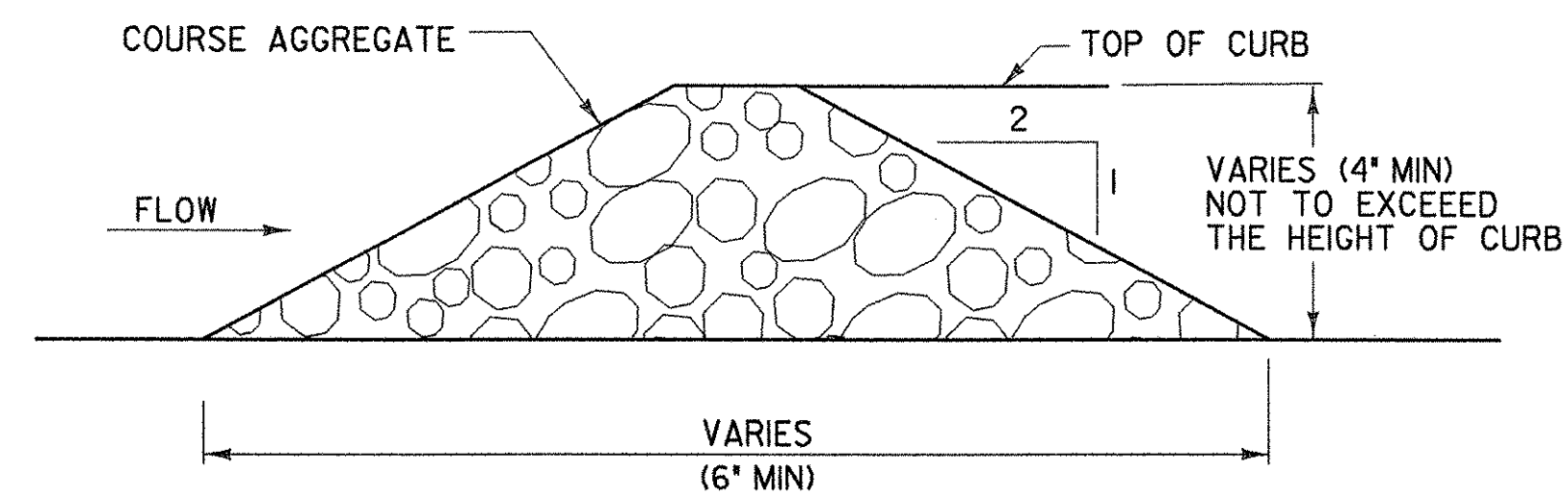
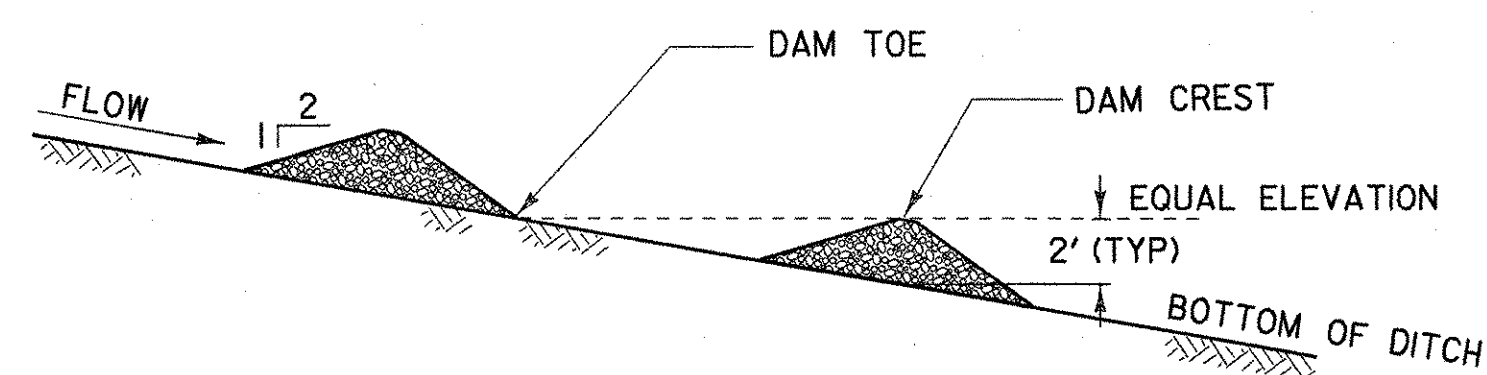


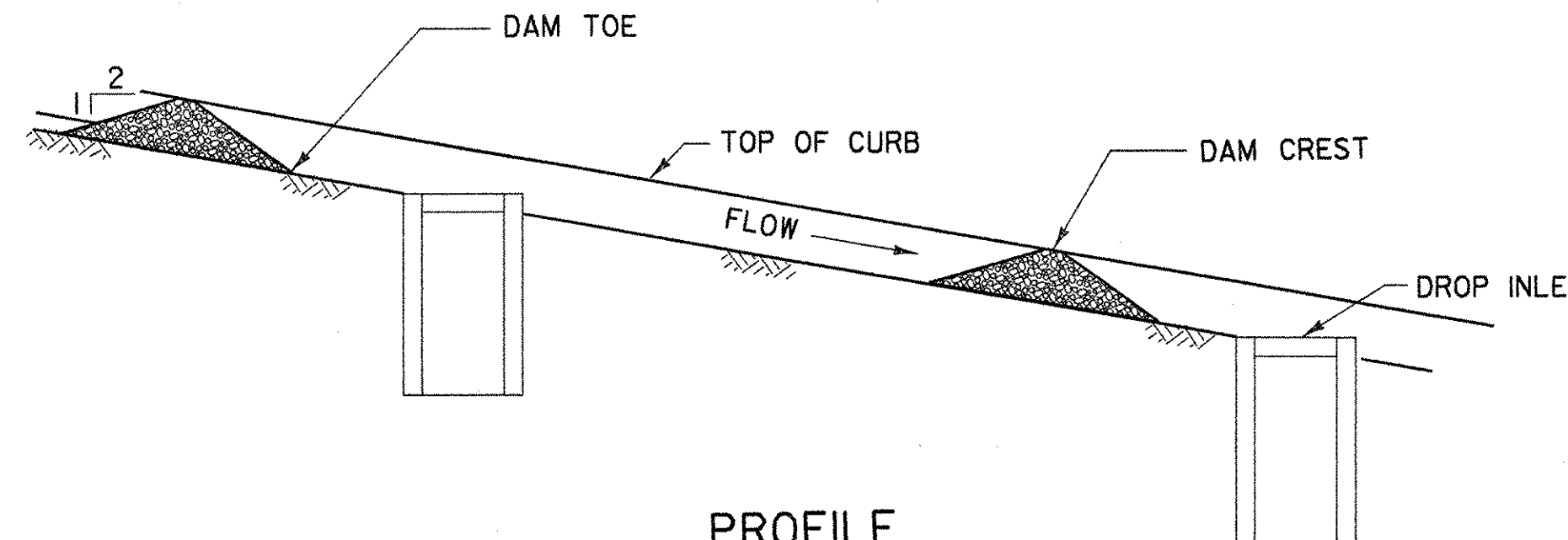
CROSS SECTION



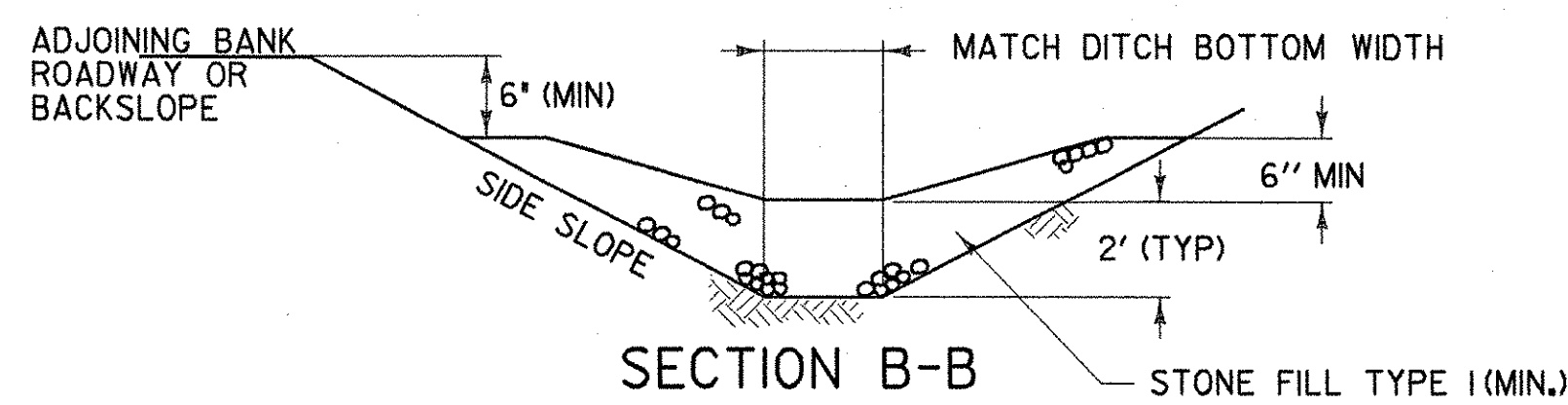
CROSS SECTION



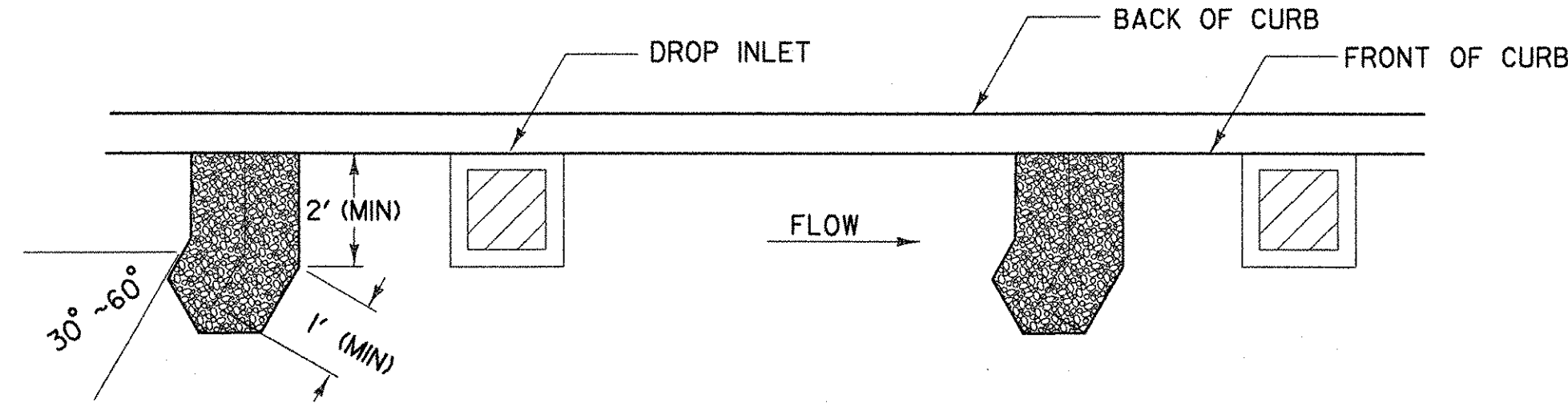
PROFILE



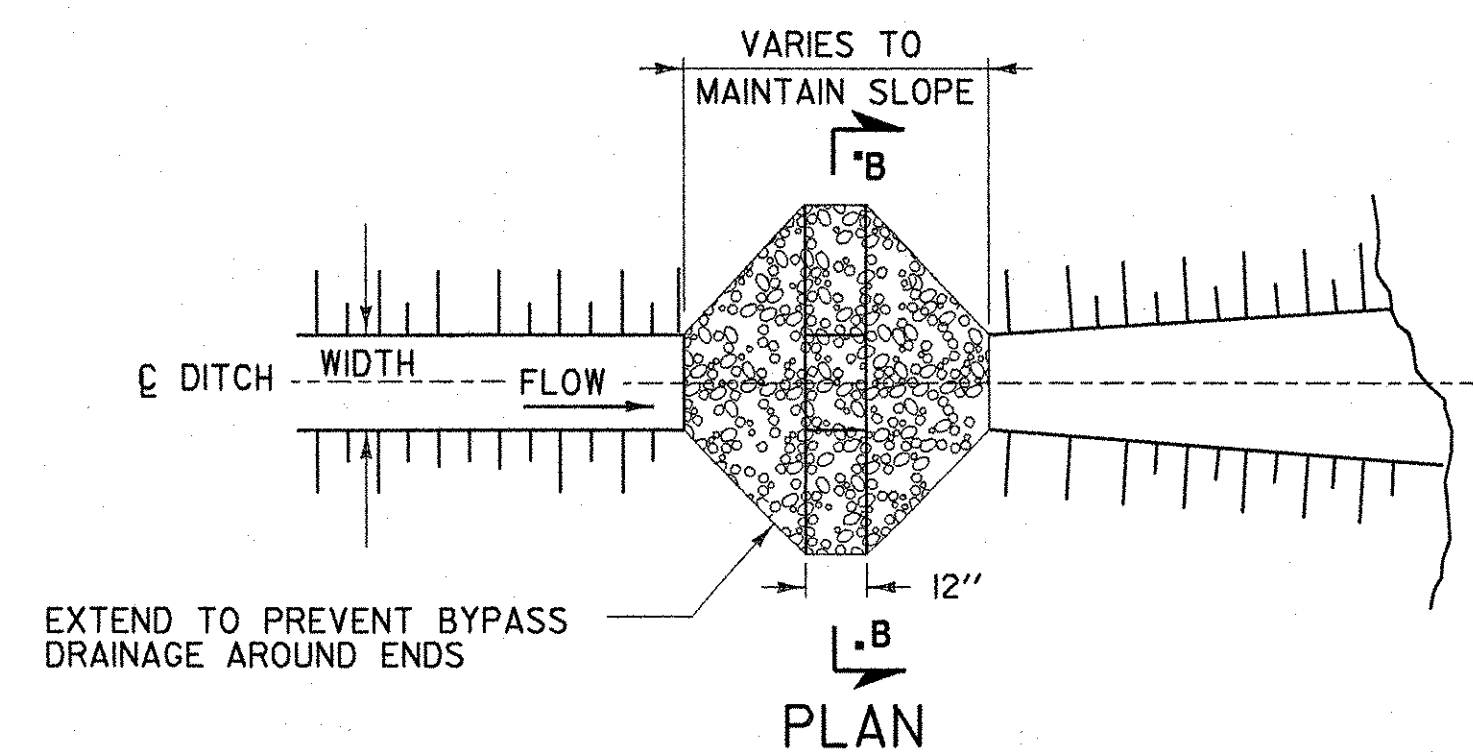
PROFILE



SECTION B-B



PLAN



PLAN

TEMPORARY STONE CHECK DAM TYPE I

NOT TO SCALE

TEMPORARY STONE CHECK DAM TYPE II

NOT TO SCALE

TEMPORARY CHECK DAMS

APPLICATION NOTES:

- TEMPORARY CHECK DAM TYPE I IS USED FOR CHANNEL FLOW, CHECK DAM TYPE II IS USED FOR FLOW ALONG A CURB.
- THE PRIMARY PURPOSE OF A TEMPORARY STONE CHECK DAM (TYPE I) IS TO REDUCE EROSION IN A CHANNEL BY REDUCING FLOW VELOCITY.
- THE PRIMARY PURPOSE OF A TEMPORARY STONE CHECK DAM (TYPE II) IS TO LIMIT THE AMOUNT OF SEDIMENT ENTERING A CLOSED DRAINAGE SYSTEM WITH STORMWATER RUNOFF.
- TEMPORARY CHECK DAMS WILL CAPTURE SEDIMENT THAT FALLS OUT OF SUSPENSION BEHIND THE CHECK DAMS DUE TO DECREASED VELOCITY. CHECK DAMS ARE NOT INTENDED TO FILTER SEDIMENT FROM STORMWATER.
- DETAILS SHOWN SHALL BE USED FOR TEMPORARY INSTALLATION ONLY.
- USE OF PREFABRICATED TEMPORARY CHECK DAMS SHALL BE AS APPROVED IN THE EPSC.

GENERAL NOTES:

- GEOTEXTILE SHALL BE INSTALLED UNDER TEMPORARY STONE CHECK DAMS TYPE I. IT SHALL BE KEYED IN ON THE UPHILL END AND SHALL EXTEND 2 FEET BEYOND THE STONE ON THE DOWNHILL END.
- STONE FOR TEMPORARY STONE CHECK DAMS SHALL MEET THE GRADATION REQUIREMENTS SPECIFIED IN THE CONTRACT DOCUMENTS.
- PREFABRICATED TEMPORARY CHECK DAMS SHALL BE INSTALLED PER MANUFACTURERS RECOMMENDATIONS.
- TEMPORARY CHECK DAMS SHALL BE INSPECTED EVERY SEVEN (7) CALENDAR DAYS AND WITHIN 24 HOURS OF A STORM EVENT GREAT ENOUGH TO CAUSE WATER TO LEAVE THE CONSTRUCTION SITE.
- TEMPORARY CHECK DAMS SHALL BE CLEANED AND REPAIRED AS NEEDED. SEDIMENT SHALL BE REMOVED WHEN ACCUMULATION REACHES ONE-HALF OF THE HEIGHT OR AS RECOMMENDED BY THE MANUFACTURER. SEDIMENT SHALL BE DISPOSED OF AT AN APPROVED WASTE SITE.
- AT TIME OF REMOVAL OF THE TEMPORARY CHECK DAM, THE DISTURBED AREA SHALL BE REPAIRED AND STABILIZED.

STONE CHECK DAM PLACEMENT INTERVAL

DITCH SLOPE	PLACEMENT INTERVAL **
1 %	200 FT
2 %	100 FT
3 %	65 FT
4 %	50 FT
5 %	40 FT
6 %	30 FT
8 %	25 FT
10 %	20 FT

** BASED ON 2' TYPICAL HEIGHT

DATUM
VERTICAL: NAVD 88
HORIZONTAL: NAD83 (96)



PROJECT NAME: SOUTH BURLINGTON
PROJECT NUMBER: AC IM CULV (9)

FILE NAME: EPSC-2.DGN
PROJECT LEADER: LANDRY
DESIGNED BY: MRP
EPSC DETAILS

PLOT DATE: 21-SEP-2007
DRAWN BY: MAL
CHECKED BY: DMB
SHEET 26 OF 63