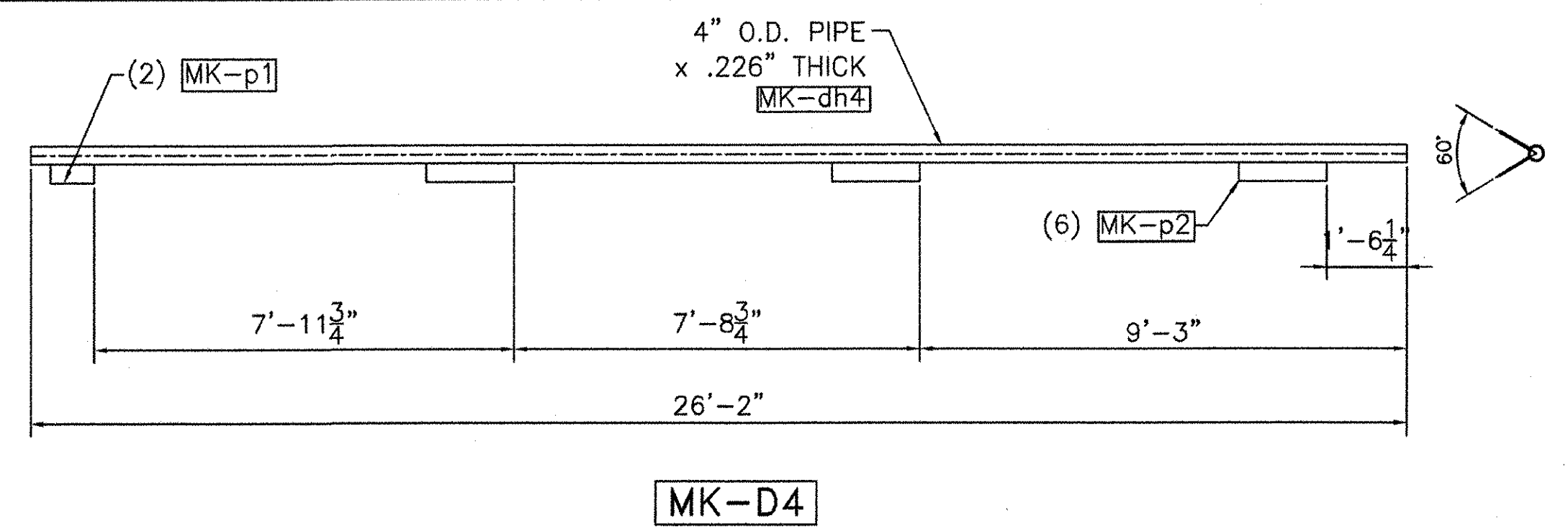
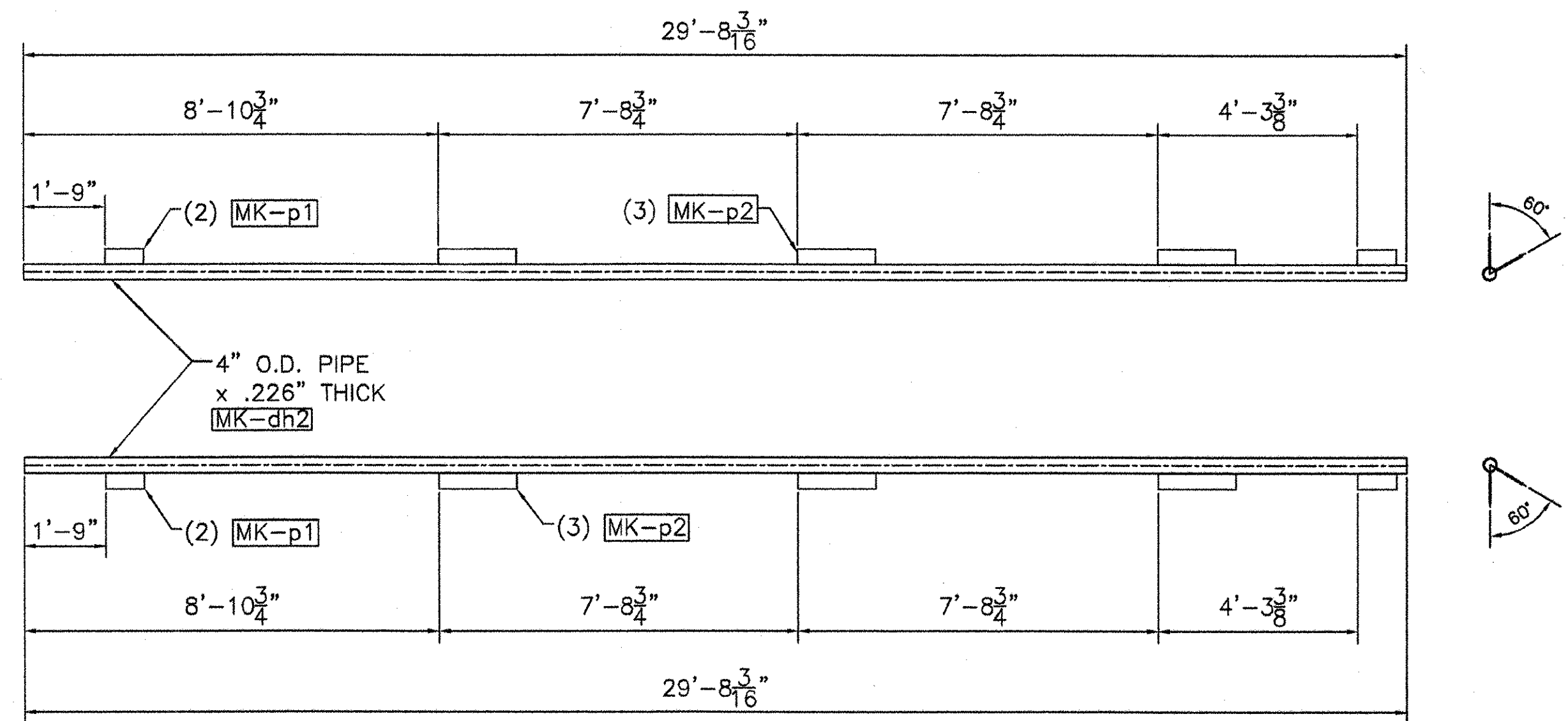


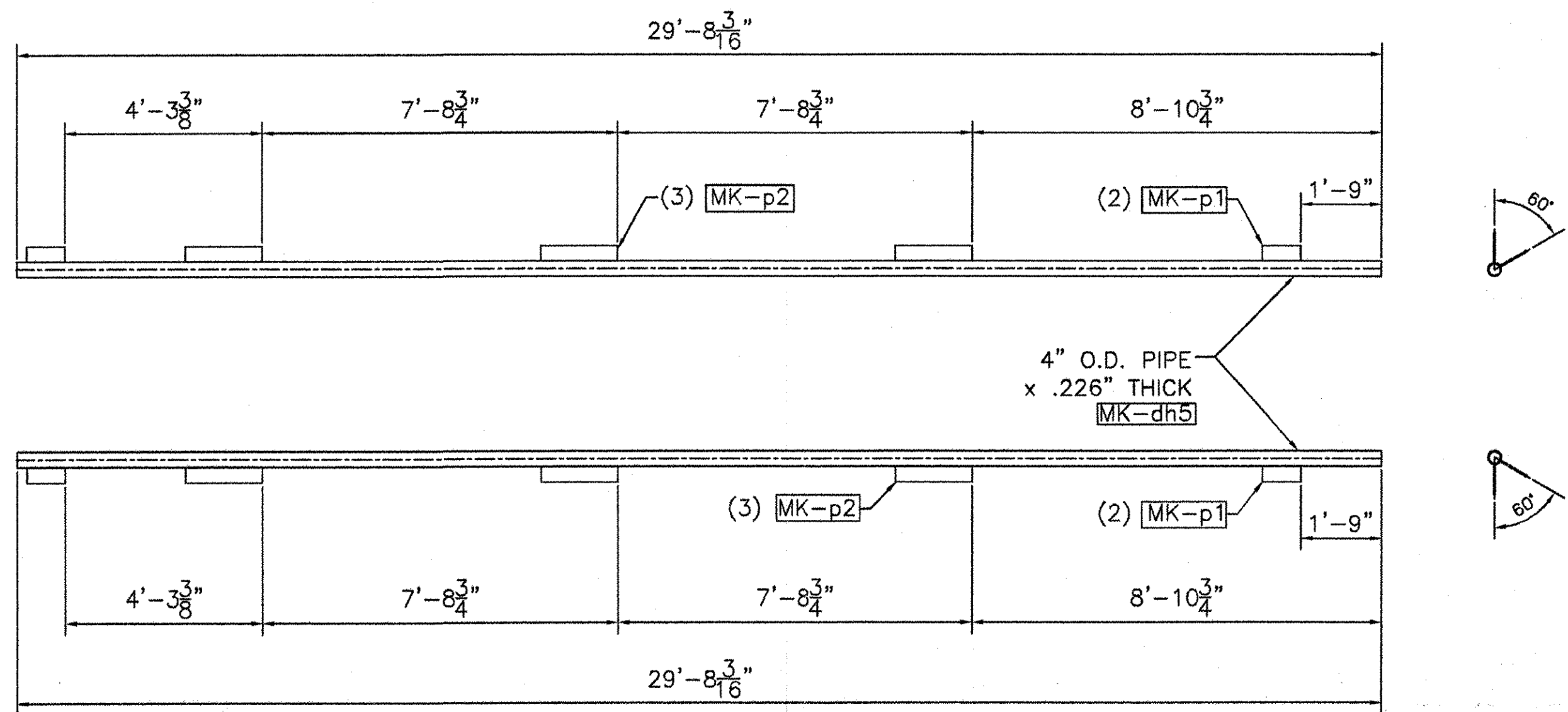
MK-D1



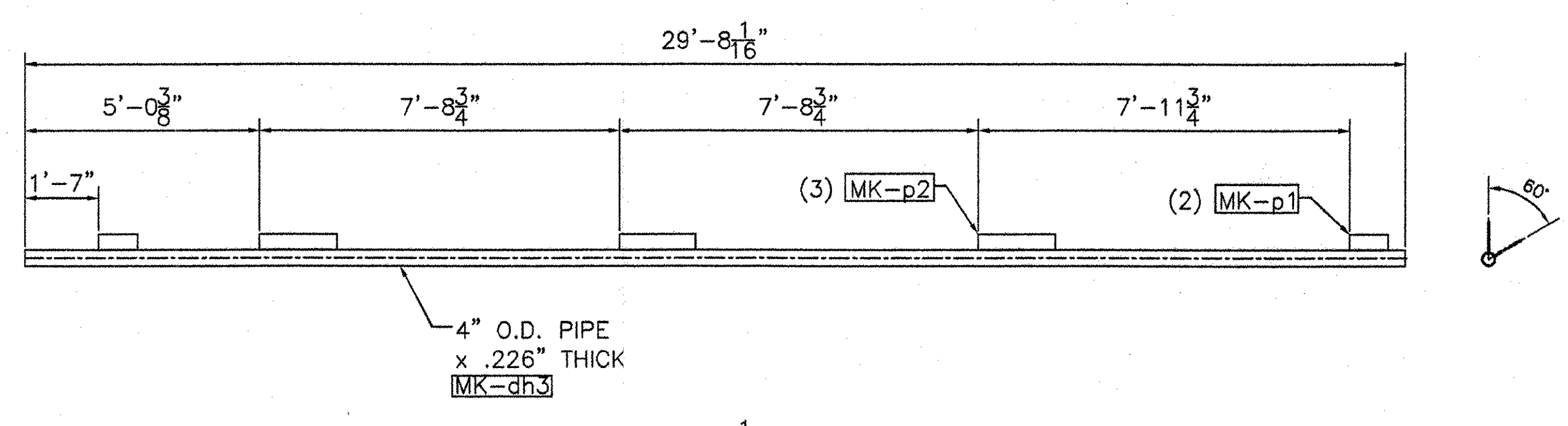
MK-D4



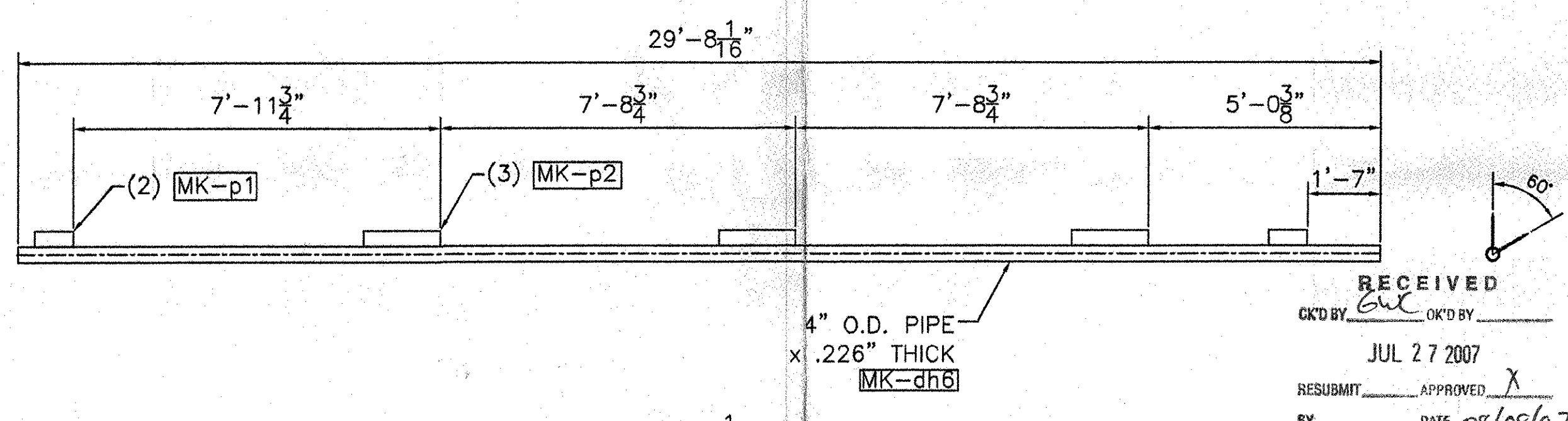
MK-D2



MK-D5

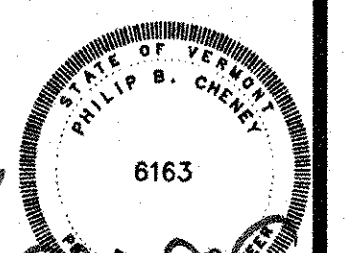


MK-D3



MK-D6

RECEIVED  
 CK'D BY *ew* OK'D BY \_\_\_\_\_  
 JUL 27 2007  
 RESUBMIT APPROVED   
 BY \_\_\_\_\_ DATE 08/08/07



REVISIONS		
No.	Remarks	Date
0	Initial submittal	

**HIGHWAY SAFETY CORP.**  
 GLASTONBURY, CT

TRI-CHORD SIGN STRUCTURE  
 STATE OF VERMONT  
 COUNTY OF CALEDONIA  
 MM 10.970 NB  
 PROJECT No. HES 091-3(42)  
 HES 093-1(10)

GENERAL CONTRACTOR  
 SUB CONTRACTOR F.R. LAFAYETTE

DRAWN: MHM  
 CHECKED: P. Radice  
 DATE: 5/23/07  
 SCALE: NTS  
 HSC REFERENCE NO.: 1587g  
 SIZE: D REVISION: 0  
 SHEET NO.: 5 of 8