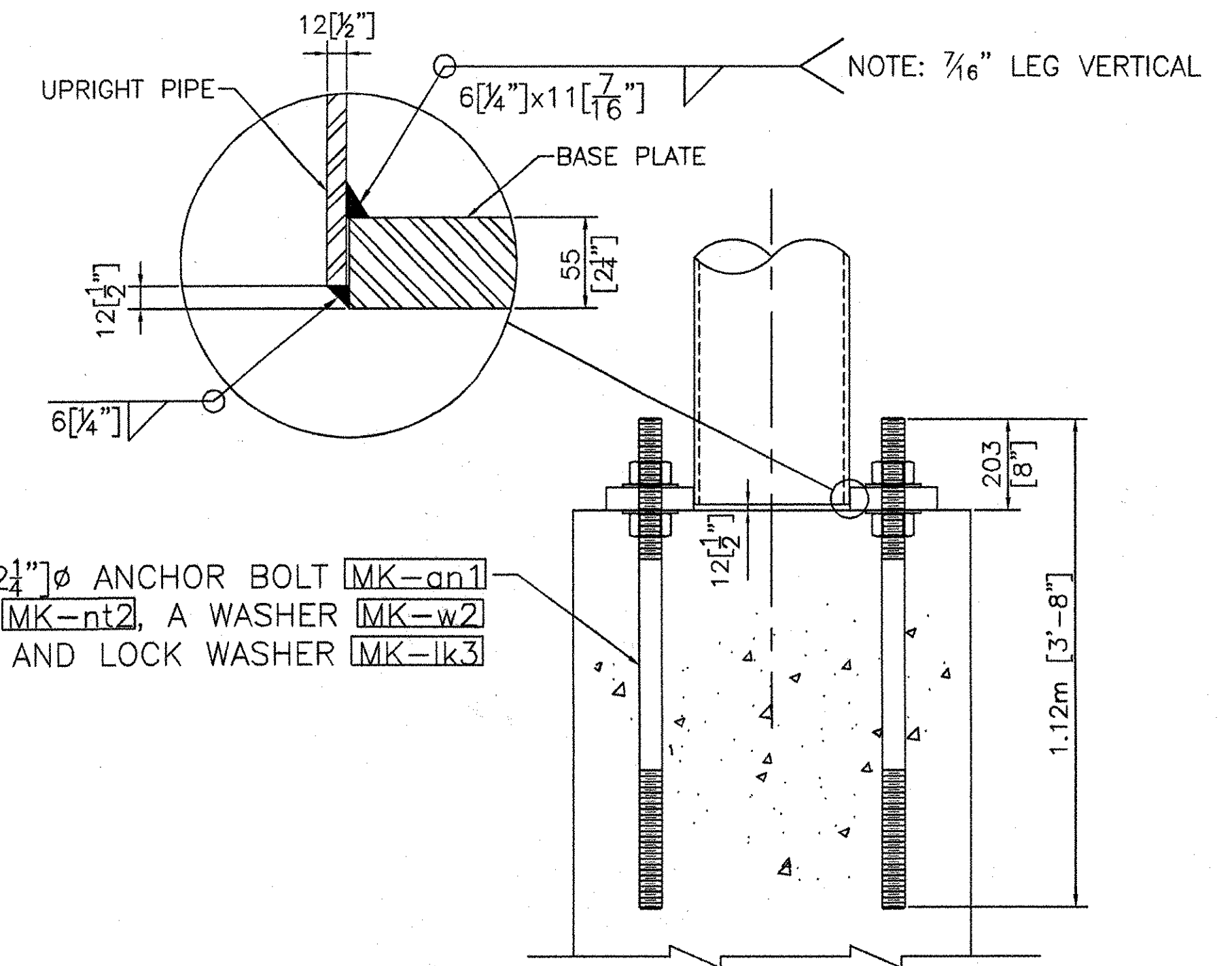
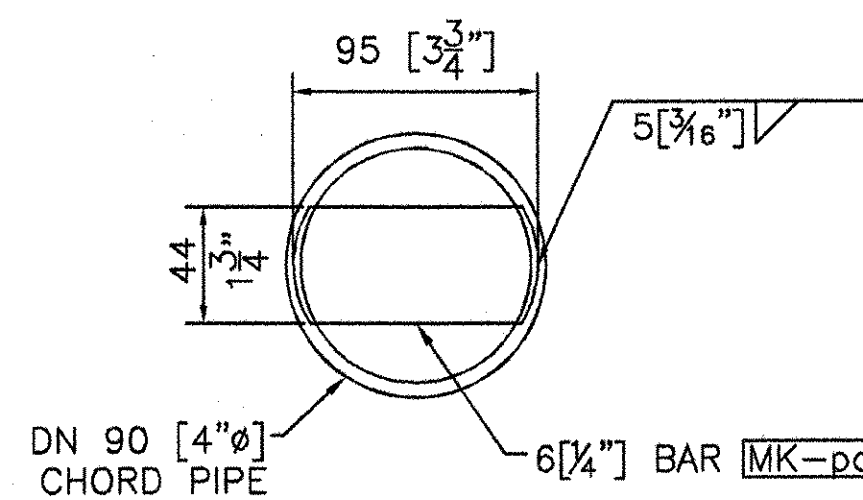


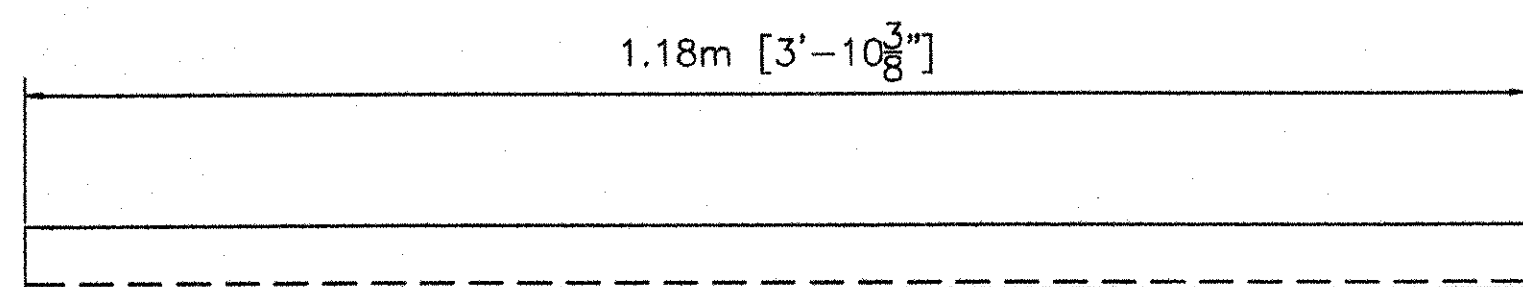
TRUSS CONNECTION DETAIL



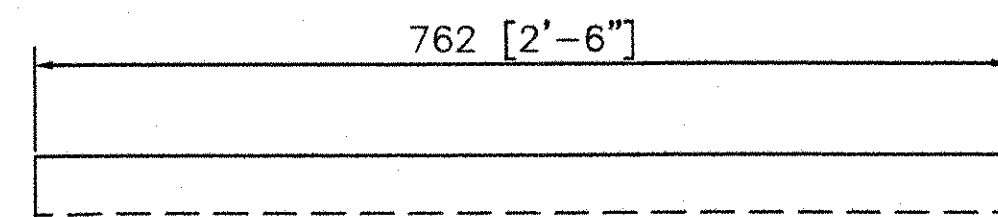
ANCHORAGE ASSEMBLY



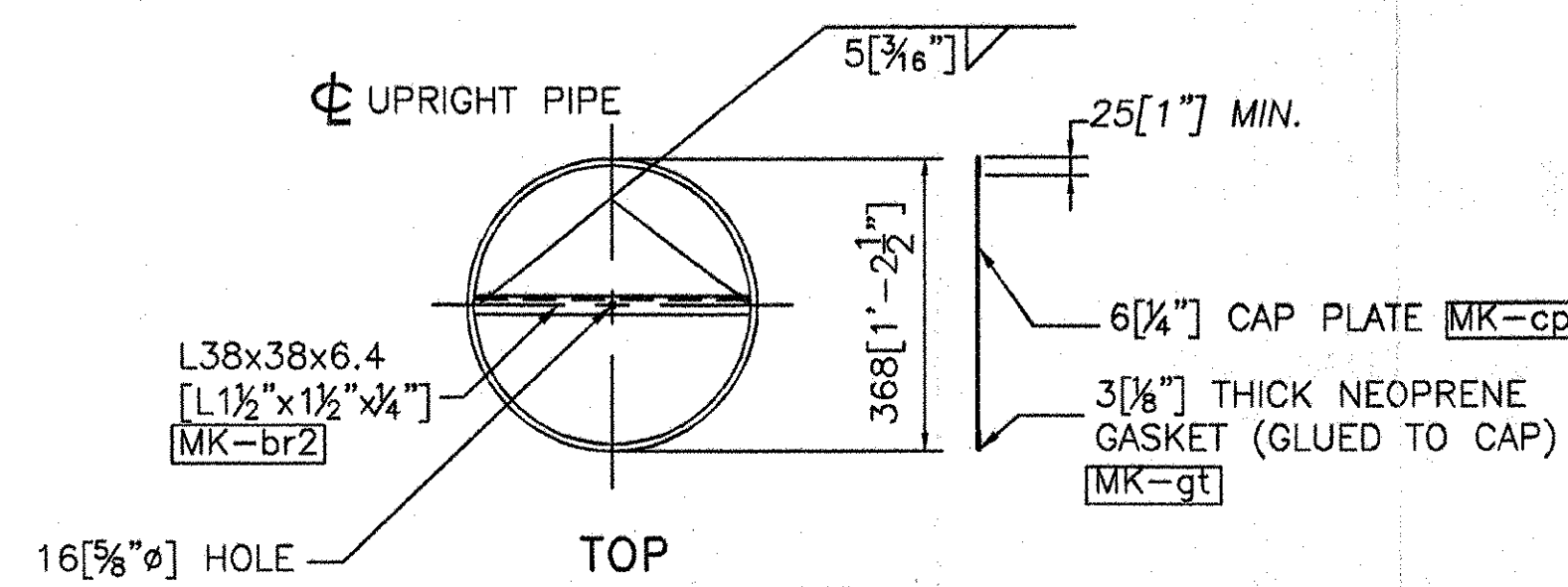
PLUG DETAIL  
(EACH END OF TRUSS CHORD)



**MK-ag3**  
L51x51x6.4  
[L2x2x 1/4"]



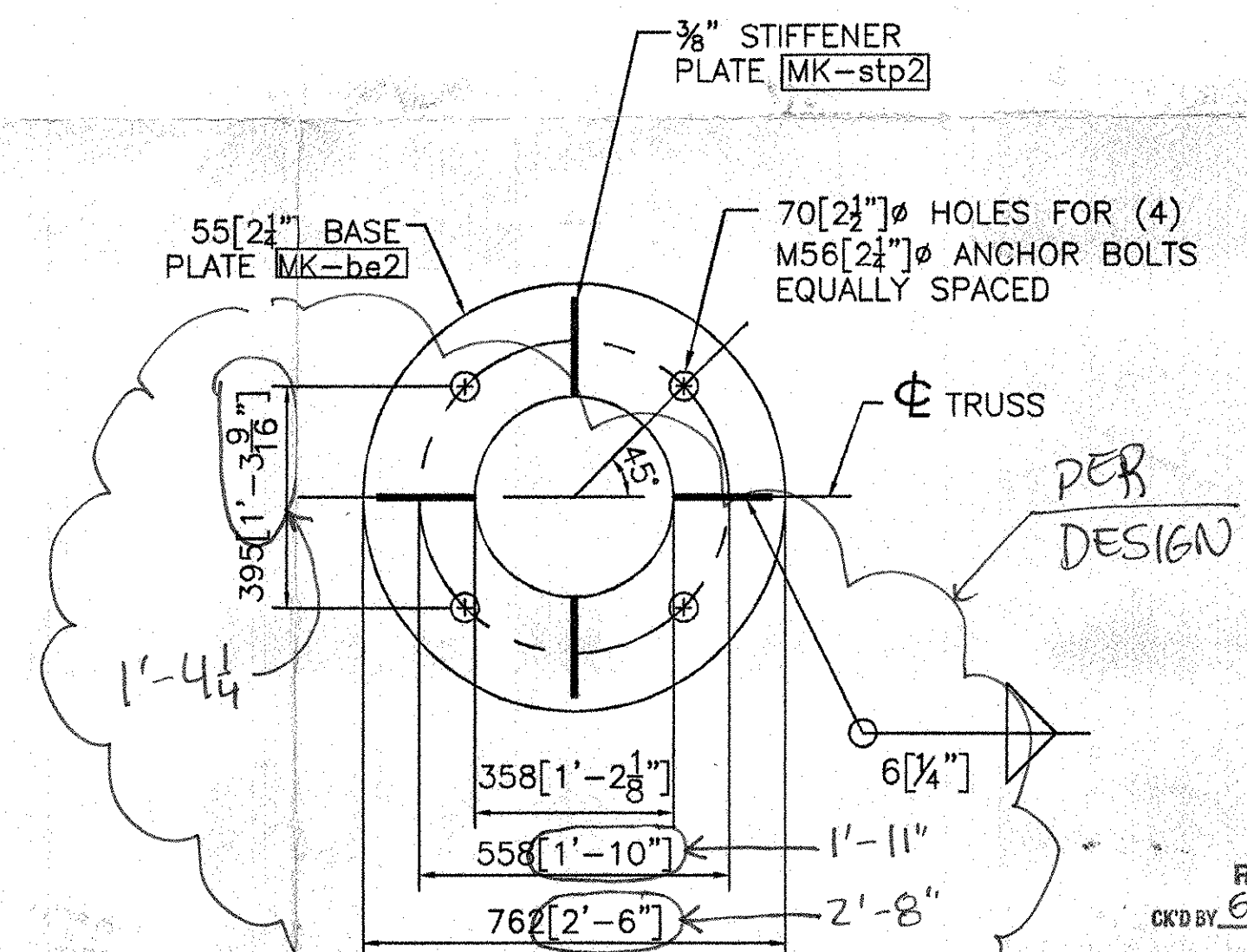
**MK-ag2**  
L51x51x6.4  
[L2x2x 1/4"]



UPRIGHT CAP DETAIL

ASSEMBLE CAP TO POST PRIOR TO SHIPPING.

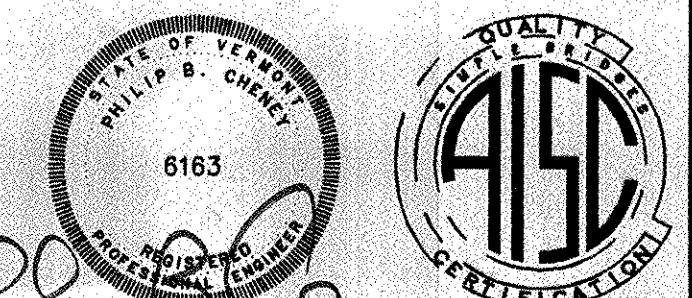
M12 [1/2"] HEX HEAD BOLT  
1.5" LG. [MK-tr] W/ RUBBER  
WASHER (TOP) [MK-tw] GALV.  
STEEL WASHER [MK-w] &  
WELDED HEX NUT [MK-nt]



BASE PLATE DETAIL

NOTE:  
BASE PLATE SHALL BE STAMPED WITH THE VERTICAL POLE  
DIAMETER (VD.), HEIGHT (VHT.), YIELD STRENGTH (VYS.),  
GAUGE (VGE.), AND SAME FOR HORIZONTAL MEMBER (HD.),  
(HYS.), AND (HGE.).

RECEIVED  
CHKD BY: *ewc* OK'D BY:  
JUL 27 2007  
RESUBMIT: \_\_\_\_\_ APPROVED: *As Notd*  
BY: \_\_\_\_\_ DATE: *08/08/07*



ALL DIMENSIONS SHOWN ARE IN MILLIMETERS (mm) UNLESS OTHERWISE NOTED. ENGLISH CONVERSION SHOWN IN [ ] FOR REFERENCE ONLY.

REVISIONS		
No.	Remarks	Date
0	Initial submittal	

**HIGHWAY SAFETY CORP.**  
GLASTONBURY, CT

TRI-CHORD SIGN STRUCTURE  
STATE OF VERMONT  
COUNTY OF CALEDONIA  
MM 10.970 NB  
PROJECT No. HES 091-3(42)  
HES 093-1(10)

GENERAL CONTRACTOR  
SUB CONTRACTOR: F.R. LAFAYETTE

DRAWN: MHM  
CHECKED: *P Radice*  
DATE: 5/23/07  
SCALE: NTS  
PISC REFERENCE NO.: 1587g  
SIZE: D REVISION: 0  
SHEET NO.: 4 of 8