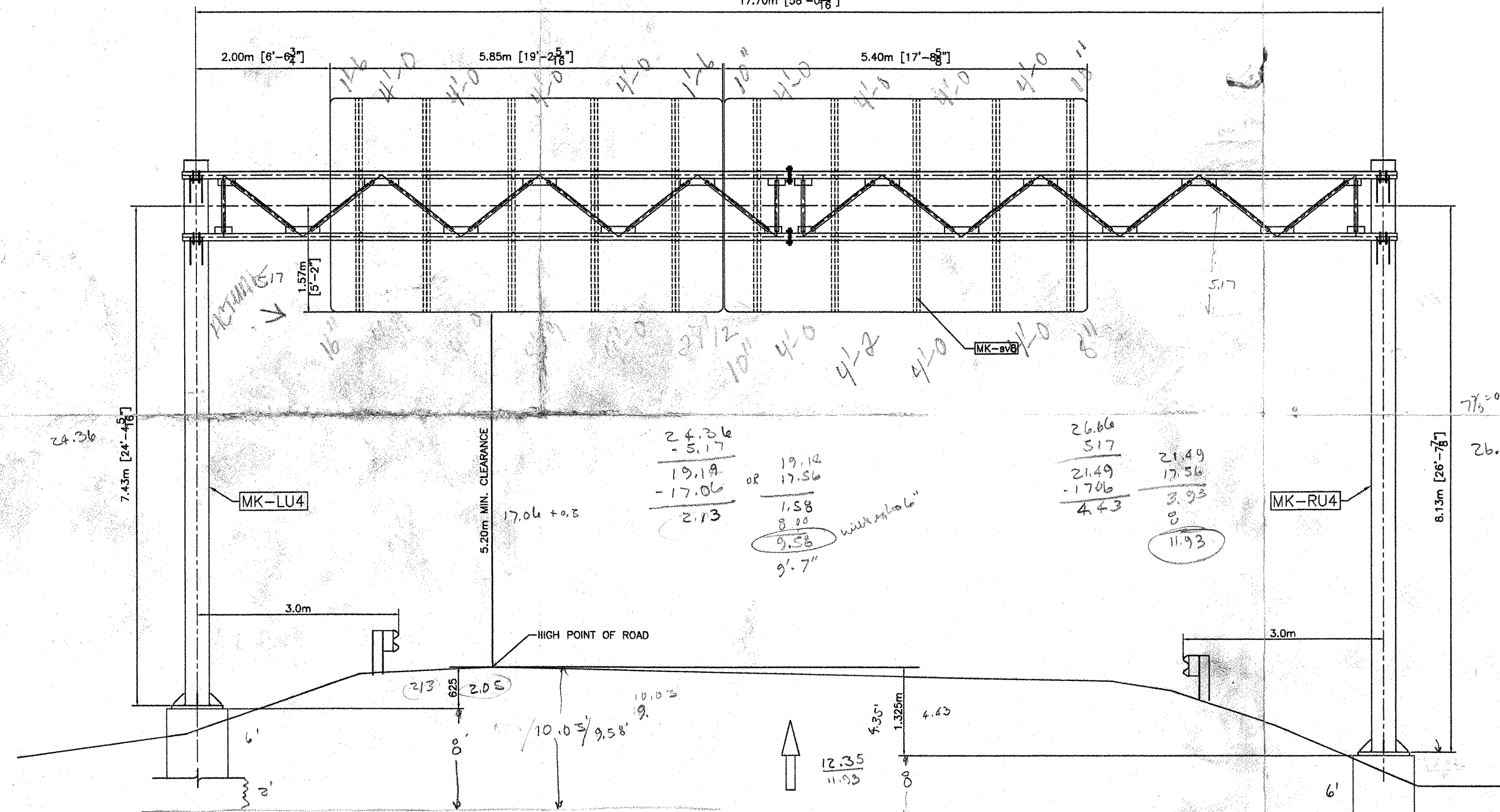


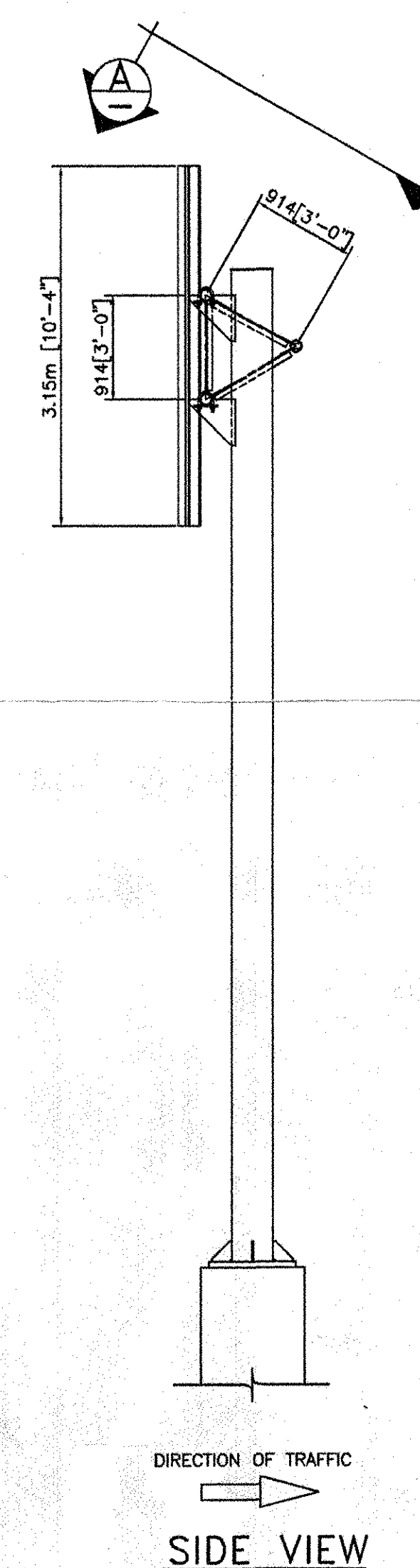
SIGN ATTACHMENT DETAIL



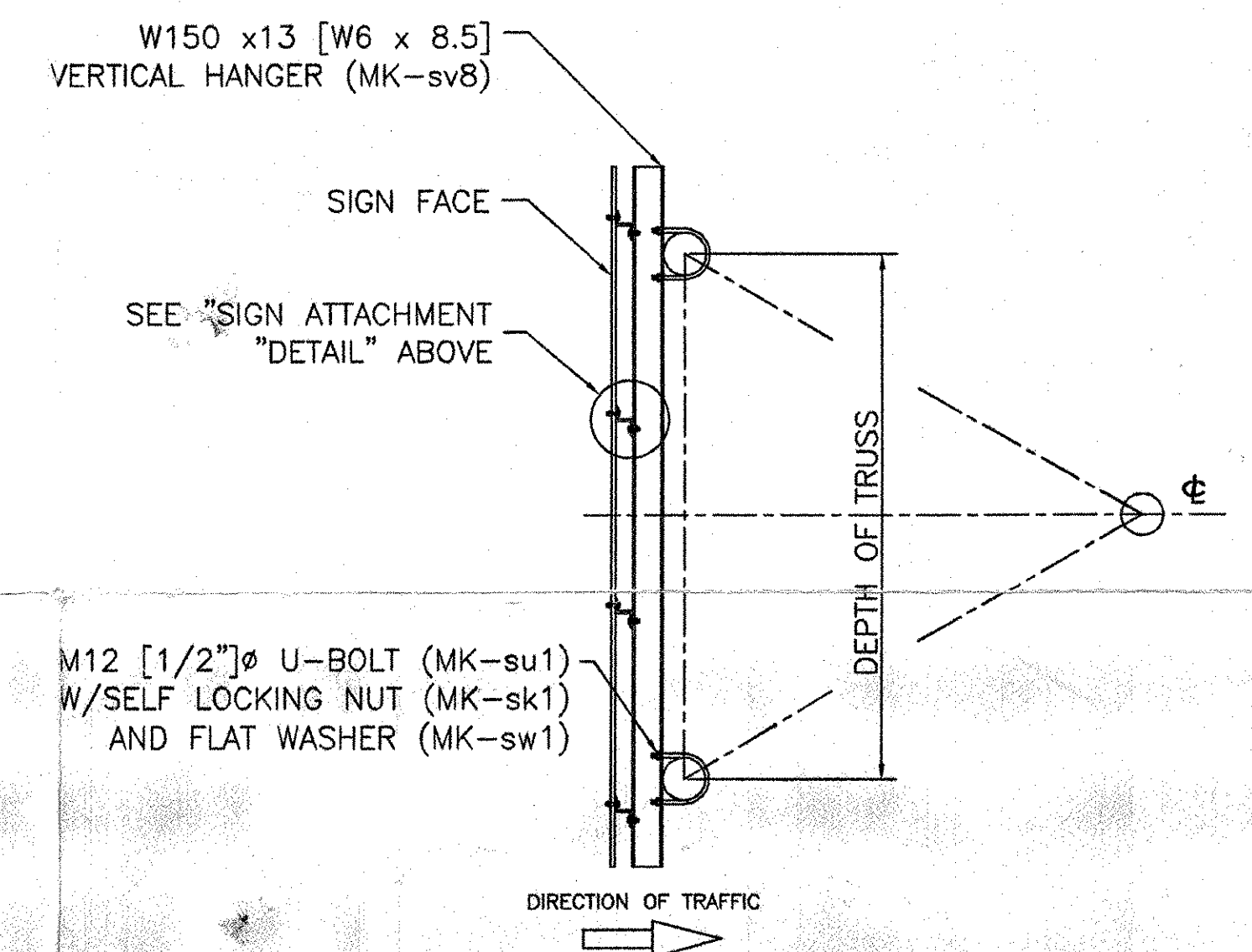
ELEVATION

LOOKING AT FACE OF SIGN  
(OUT OF PLANE CHORDS NOT SHOWN FOR CLARITY)

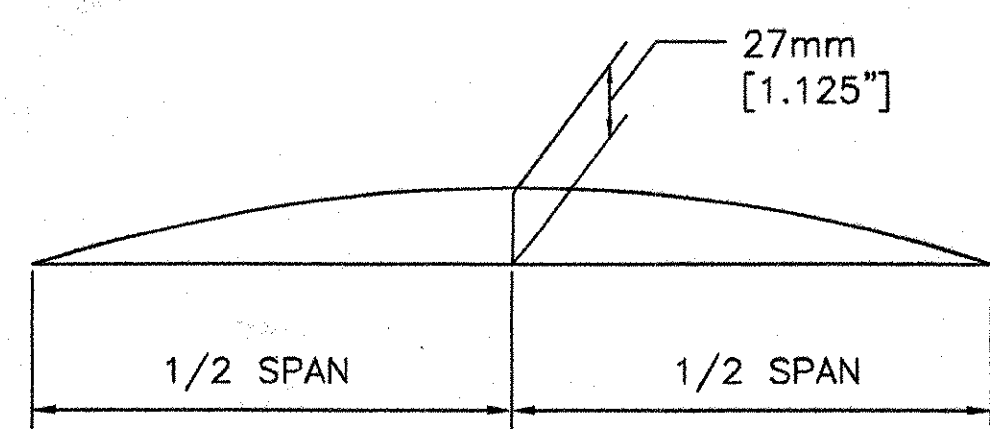
FOOTING ELEVATION IS ASSUMED.  
CONTRACTOR TO VERIFY ELEVATIONS  
BEFORE FABRICATION.



SIDE VIEW



SIGN MOUNTING DETAIL  
VERTICAL HANGER BEAMS & U-BOLTS INCLUDED



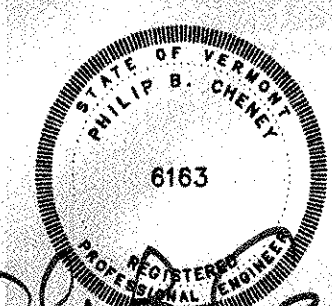
CAMBER DIAGRAM

NOTE:

CAMBER WILL BE ACHIEVED BY SHORTENING LOWER CHORD PIPES BY AN AMOUNT SUCH THAT POSITIVE UPWARD DEFLECTION IS PRODUCED WHEN TRUSSES ARE BROUGHT TOGETHER AT SPLICES.

ALL DIMENSIONS SHOWN ARE IN MILLIMETERS (mm) UNLESS OTHERWISE NOTED. ENGLISH CONVERSION SHOWN IN [ ] FOR REFERENCE ONLY.

RECEIVED  
OK'D BY *[Signature]* OK'D BY  
JUL 27 2007  
RESUBMIT APPROVED  
BY DATE 08/08/07



REVISIONS		
No.	Remarks	Date
0	Initial submittal	

**HIGHWAY SAFETY CORP.**  
GLASTONBURY, CT

TRI-CHORD SIGN STRUCTURE  
STATE OF VERMONT  
COUNTY OF CALEDONIA  
MM 10.970 NB  
PROJECT No. HES 091-3(42)  
HES 093-1(10)

DRAWN: MHM  
CHECKED: P. Radice  
DATE: 5/23/07  
SCALE: N.T.S.  
HSC REFERENCE NO.: 1587g  
SIZE: D REVISION: 0  
SHEET NO.: 1 of 8

GENERAL CONTRACTOR: [Blank]  
SUB CONTRACTOR: F.R. LAFAYETTE