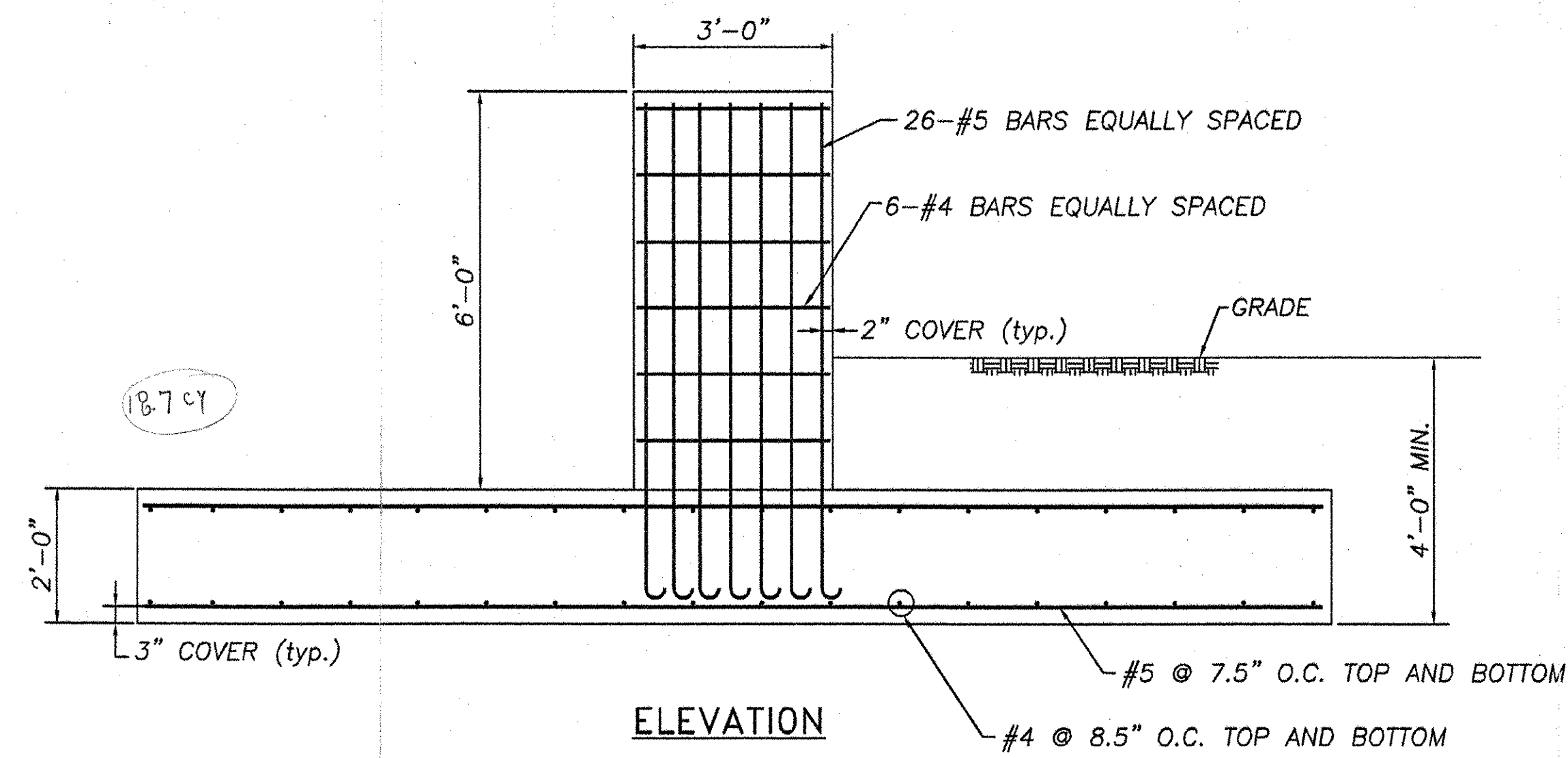
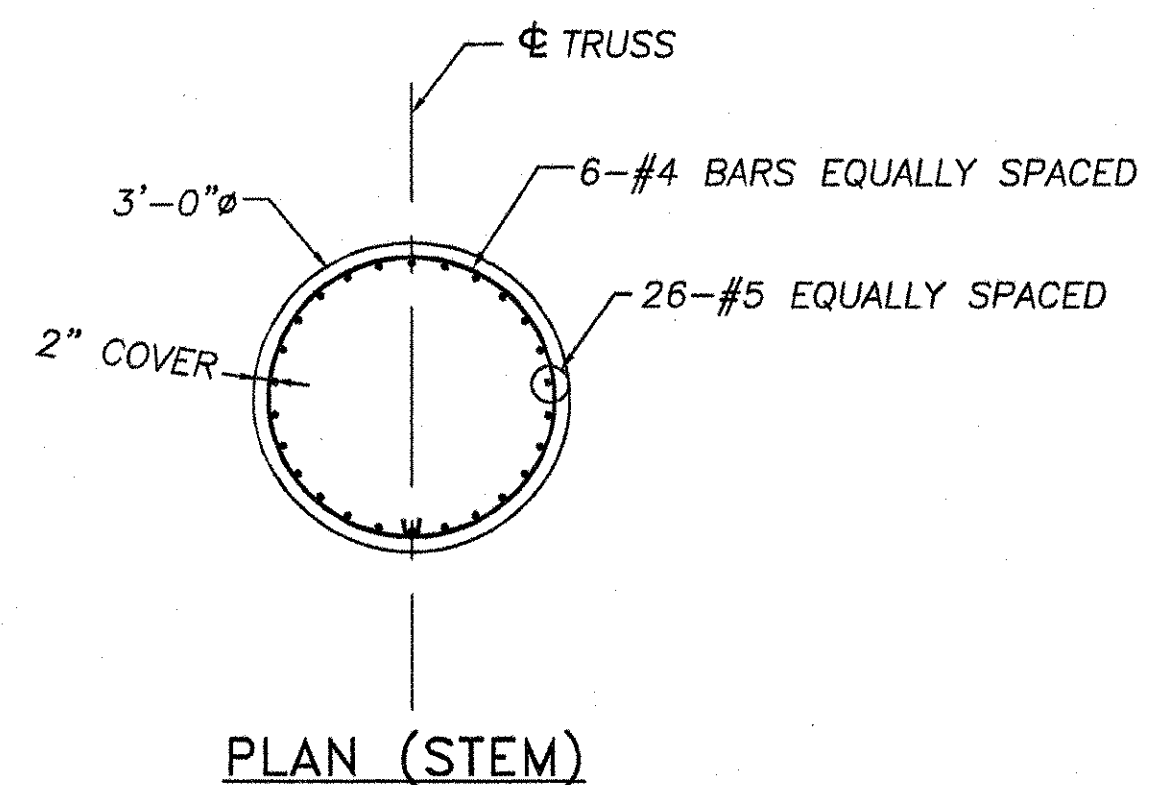


PLAN



ELEVATION

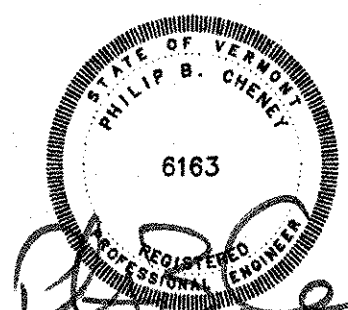


PLAN (STEM)

REBAR LIST

REBAR	PCS. REQD.	LENGTH
#4	12	9'-4"
#4	104	13'-6"
#5	92	17'-6"
#5 (HOOK ONE END)	52	8'-6"

RECEIVED
 CK'D BY *EX* CK'D BY _____
 JUL 27 2007
 RESUBMIT _____ APPROVED *X*
 BY _____ DATE 08/07/07



HIGHWAY SAFETY CORP.
 GLASTONBURY, CT

TRI-CHORD SIGN STRUCTURE
 STATE OF VERMONT
 COUNTY OF CALEDONIA
 MM 10.470 NB
 PROJECT No. HES 091-3(42)
 HES 093-1(10)

GENERAL CONTRACTOR
 SUB CONTRACTOR F.R. LAFAYETTE

DRAWN: MHM
 CHECKED: *P. Radice*
 DATE: 5/23/07
 SCALE: N.T.S.
 HSC REFERENCE NO.: 1587f
 SIZE: D REVISION: 0
 SHEET NO.: 8 of 8

REVISIONS		
No.	Remarks	Date
0	Initial submittal	

NB 10.47