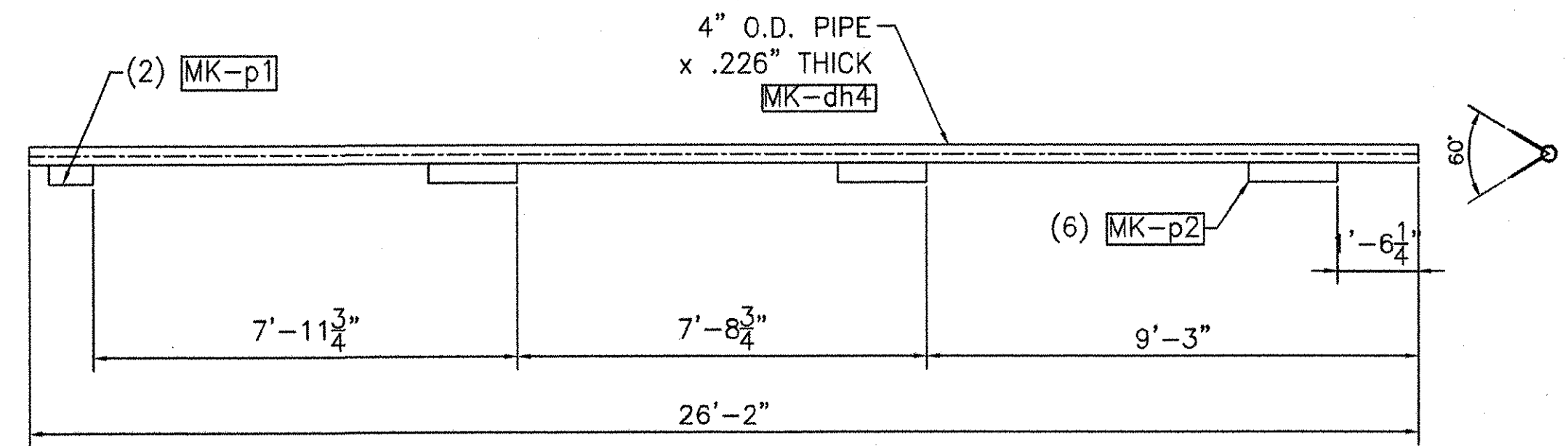
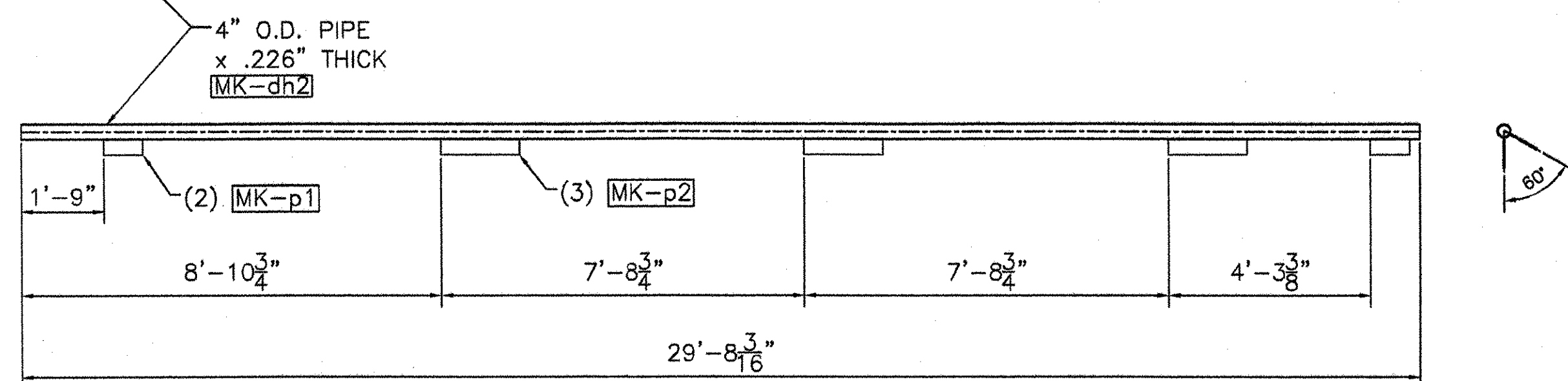
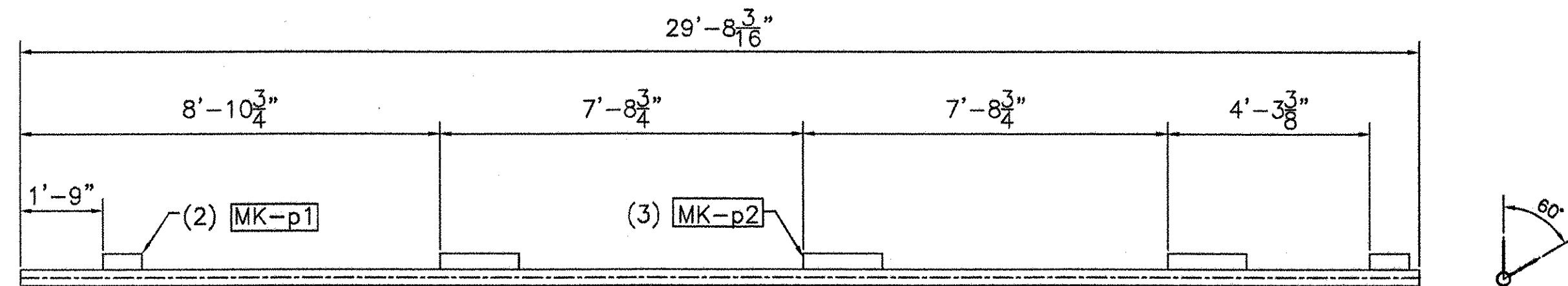


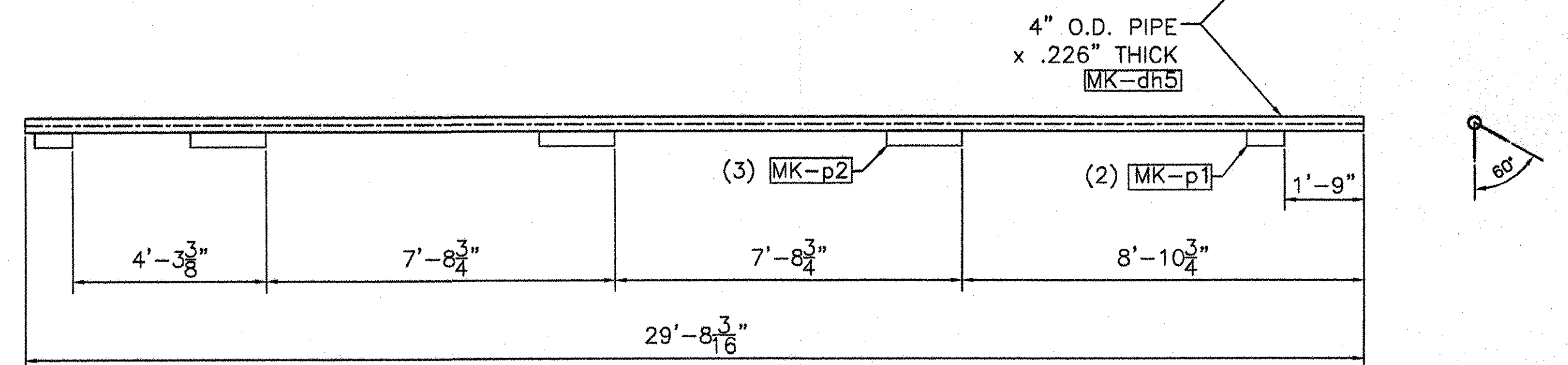
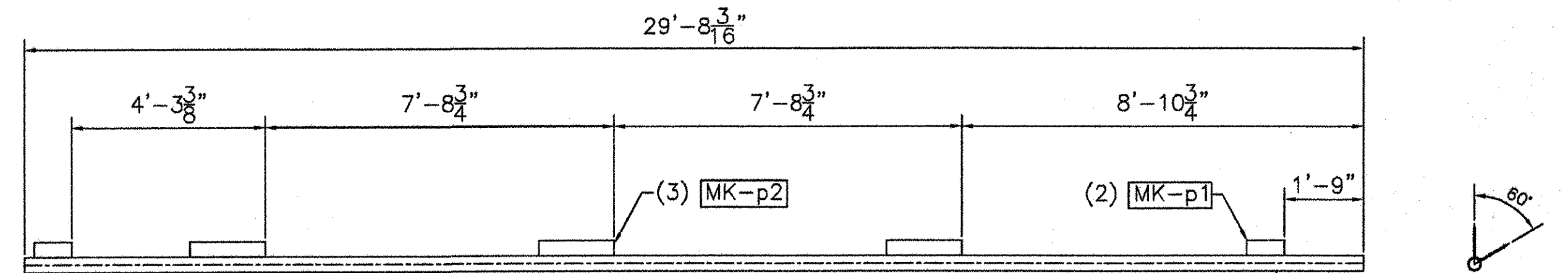
MK-D1



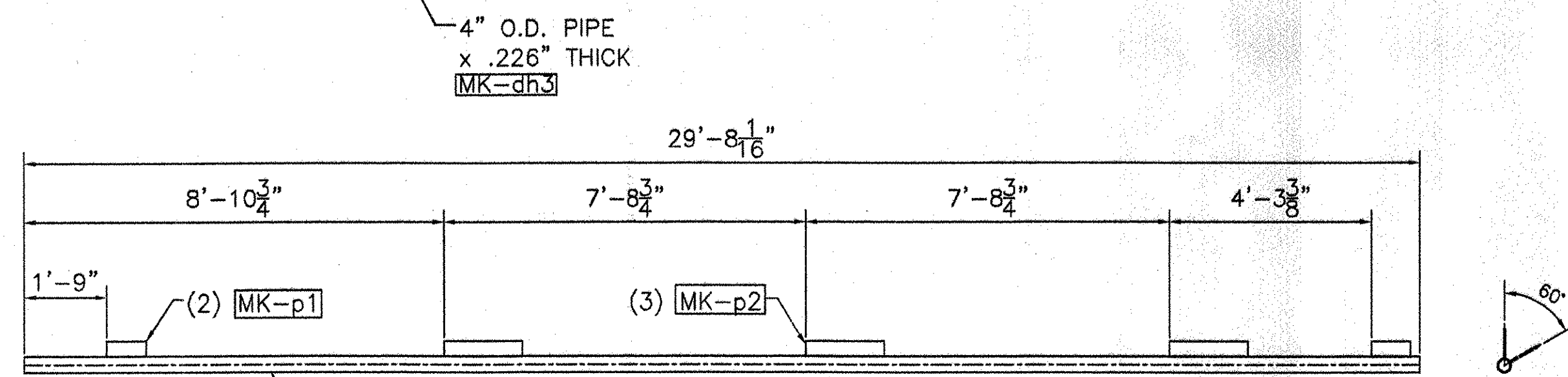
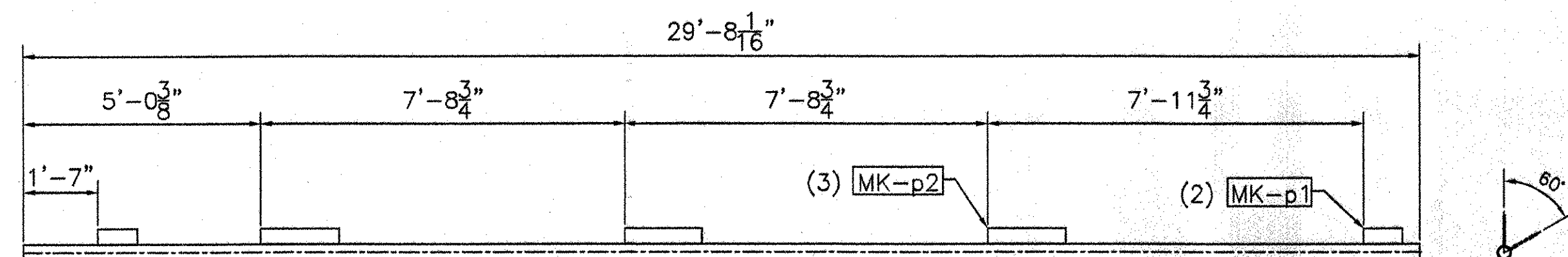
MK-D4



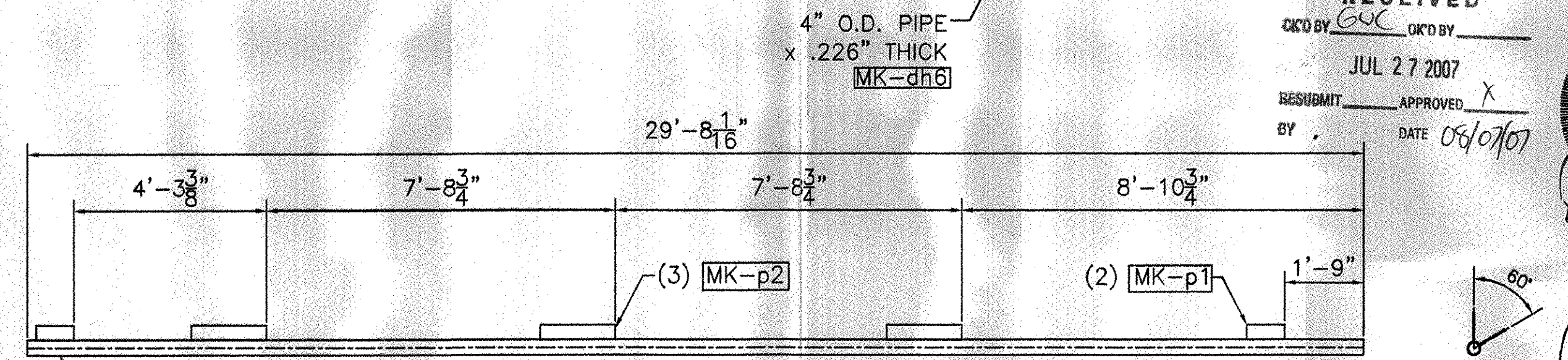
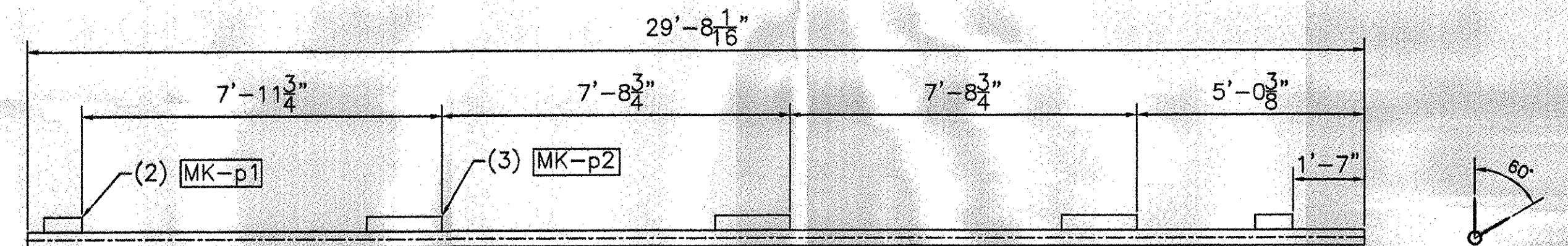
MK-D2



MK-D5

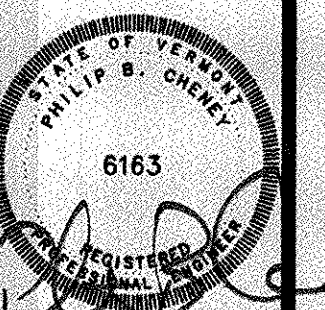


MK-D3



MK-D6

RECEIVED  
 DRAWN BY GWC OK'D BY  
 JUL 27 2007  
 RESUBMIT APPROVED X  
 BY DATE 08/07/07



REVISIONS		
No.	Remarks	Date
0	Initial submittal	

**HIGHWAY SAFETY CORP.**  
 GLASTONBURY, CT

TRI-CHORD SIGN STRUCTURE  
 STATE OF VERMONT  
 COUNTY OF CALEDONIA  
 MM 10,470 NB  
 PROJECT No. HES 091-3(42)  
 HES 093-1(10)

DRAWN: MHM  
 CHECKED: SP Radice  
 DATE: 5/23/07  
 SCALE: NTS  
 HES REFERENCE NO.: 1587f  
 SIZE: D REVISION: 0  
 SHEET NO.: 5 of 8

GENERAL CONTRACTOR:  
 SUB CONTRACTOR: F.R. LAFAYETTE