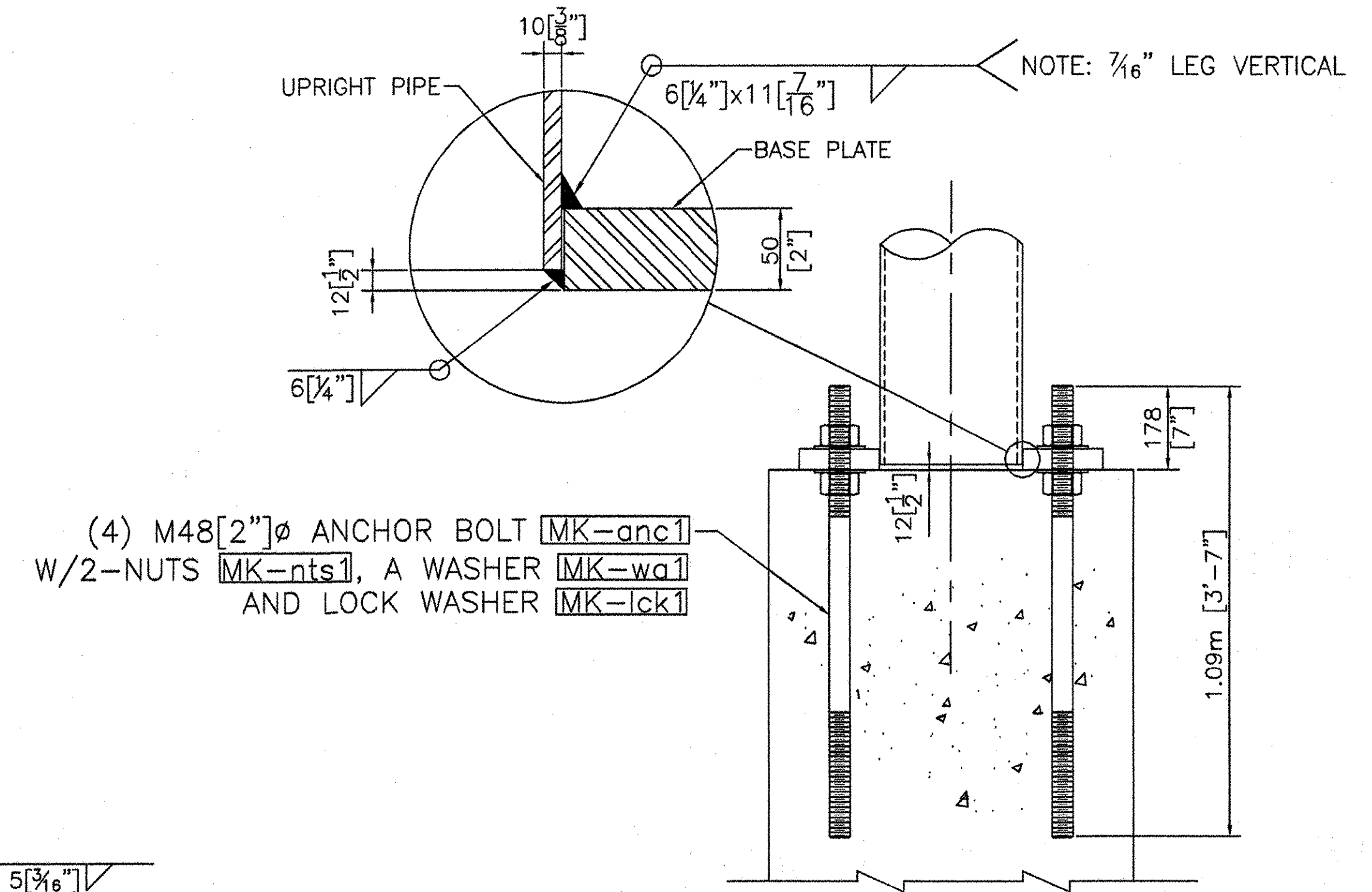
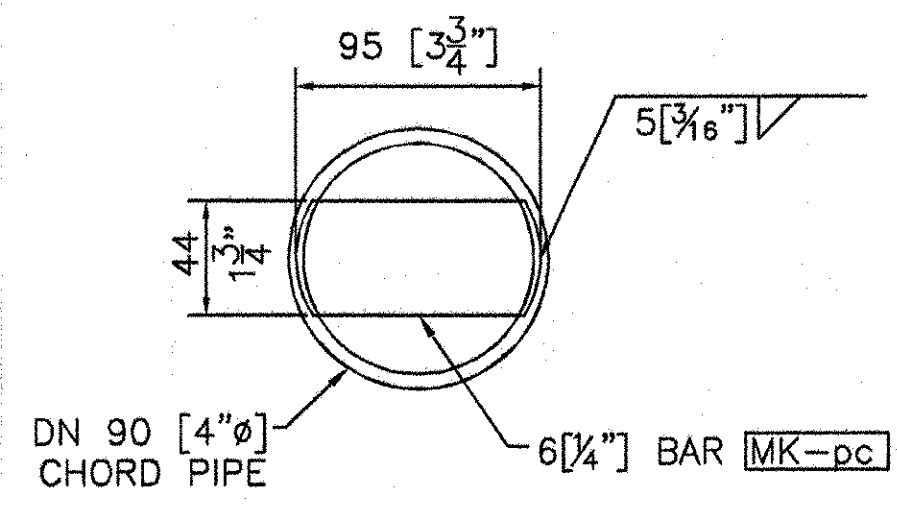


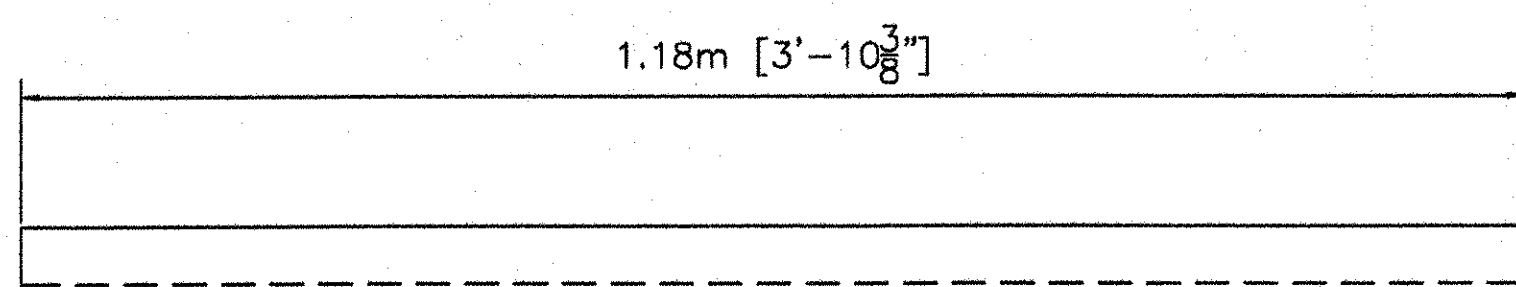
TRUSS CONNECTION DETAIL



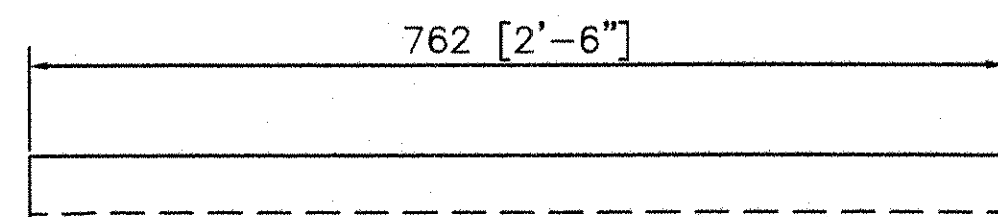
ANCHORAGE ASSEMBLY



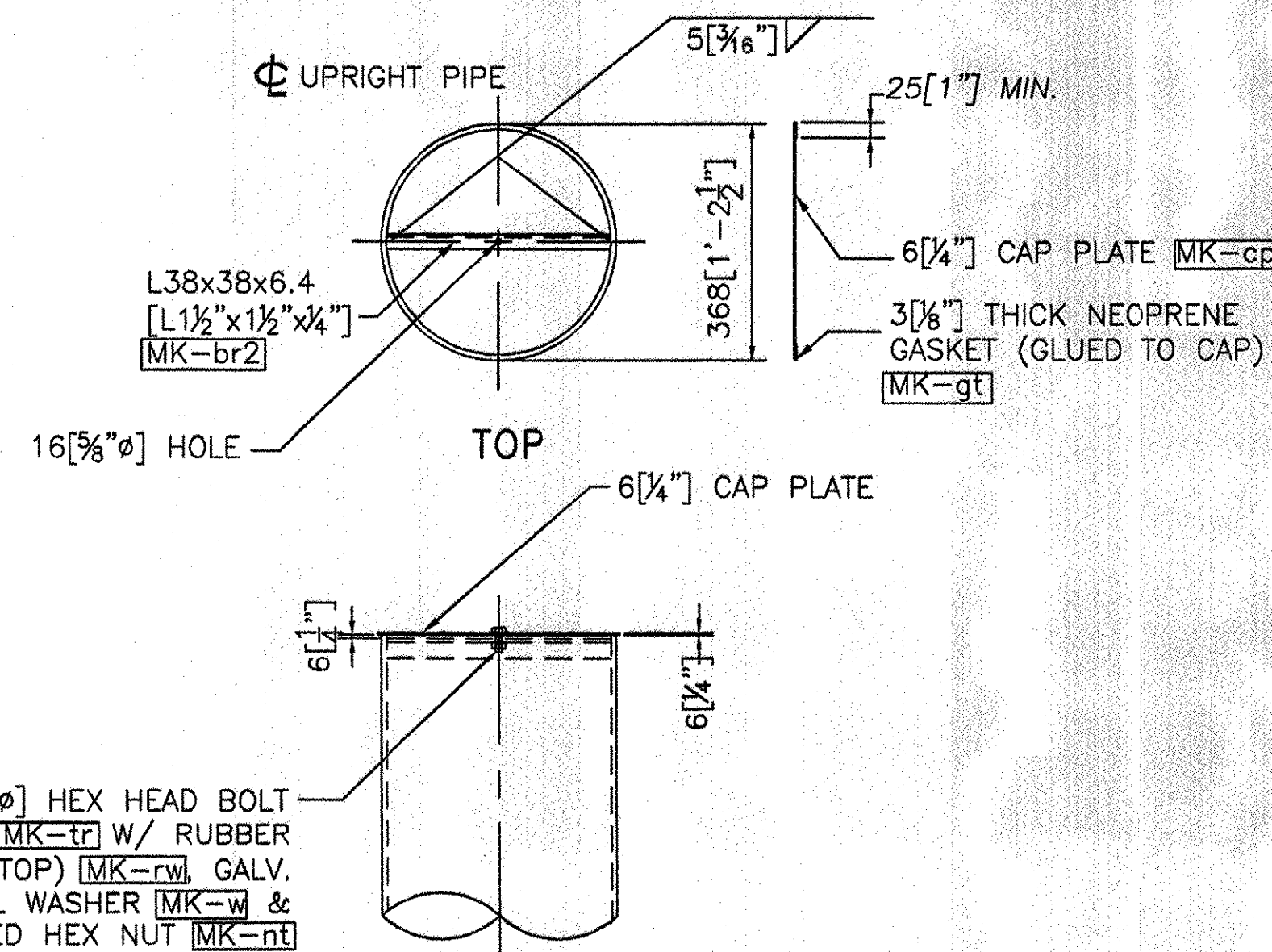
PLUG DETAIL
(EACH END OF TRUSS CHORD)



MK-ag3
L51x51x6.4
[L2x2x3/4]

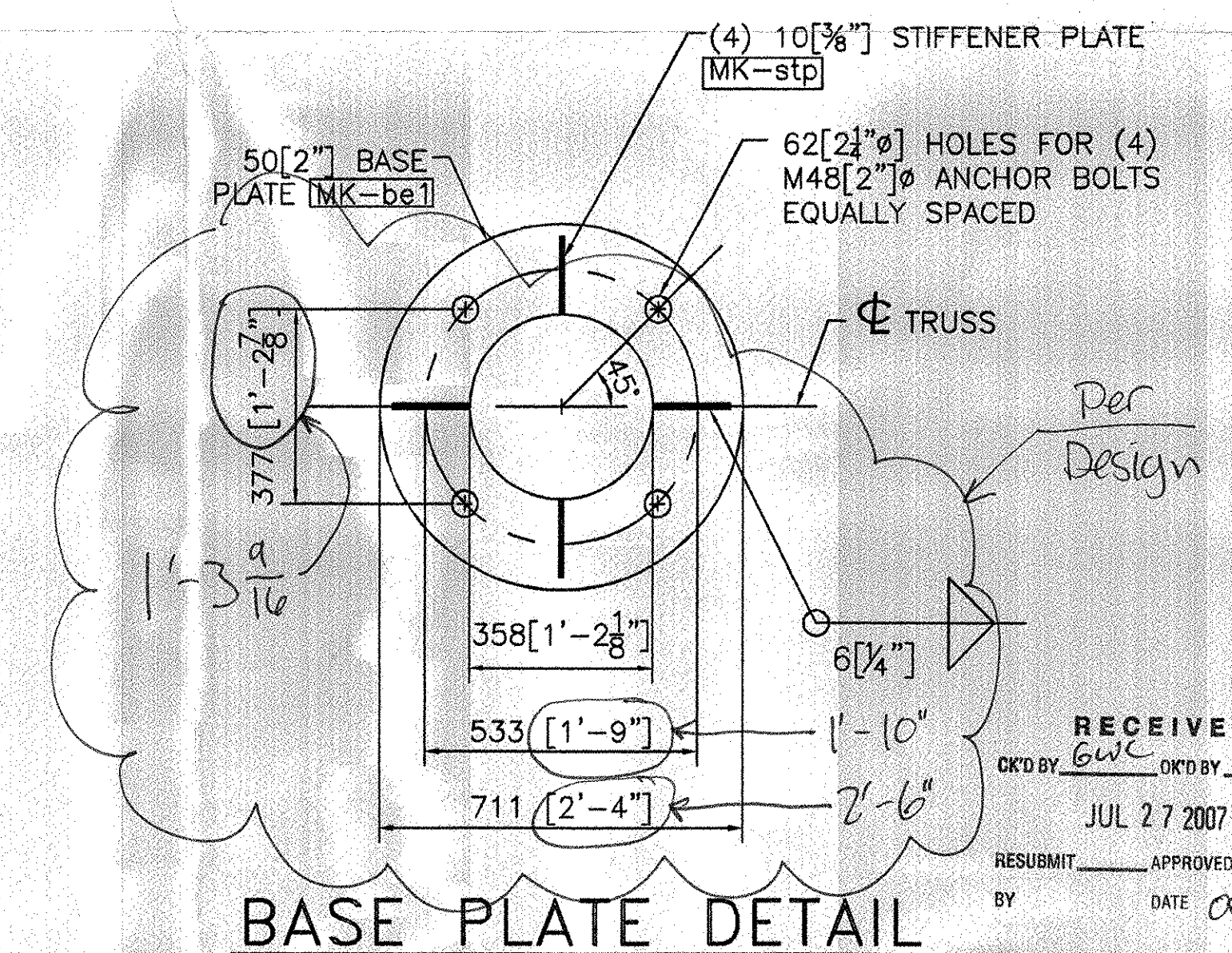


MK-ag2
L51x51x6.4
[L2x2x3/4]



UPRIGHT CAP DETAIL

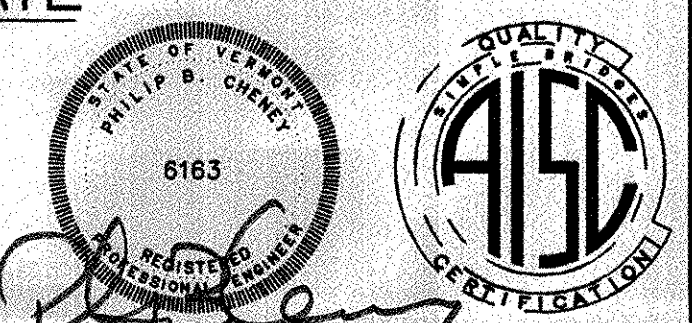
ASSEMBLE CAP TO POST PRIOR TO SHIPPING.



BASE PLATE DETAIL

NOTE:
BASE PLATE SHALL BE STAMPED WITH THE VERTICAL POLE DIAMETER (VD.), HEIGHT (VHT.), YIELD STRENGTH (VYS.), GAUGE (VGE.), AND SAME FOR HORIZONTAL MEMBER (HD.), (HYS.), AND (HGE.).

RECEIVED
JUL 27 2007
AS NOTED



ALL DIMENSIONS SHOWN ARE IN MILLIMETERS (mm) UNLESS OTHERWISE NOTED. ENGLISH CONVERSION SHOWN IN [] FOR REFERENCE ONLY.

REVISIONS		
No.	Remarks	Date
0	Initial submittal	

HIGHWAY SAFETY CORP.
GLASTONBURY, CT

TRI-CHORD SIGN STRUCTURE
STATE OF VERMONT
COUNTY OF CALEDONIA
MM 10.470 NB
PROJECT No. HES 091-3(42)
HES 093-1(10)

DRAWN: MHM
CHECKED: P. Radice
DATE: 5/23/07
SCALE: NTS
HSC REFERENCE NO.: 1587f
GENERAL CONTRACTOR: F.R. LAFAYETTE
SUB CONTRACTOR: F.R. LAFAYETTE

SIZE: D REVISION: 0
SHEET NO.: 4 of 8