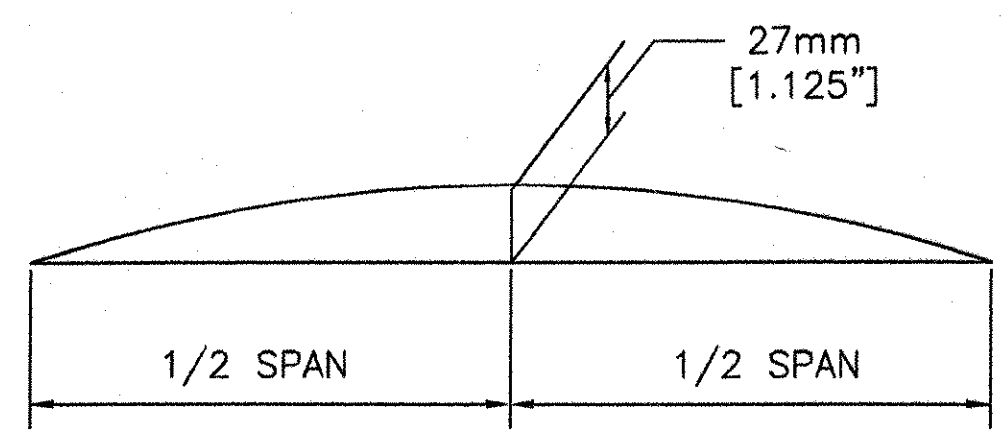


ELEVATION
LOOKING AT FACE OF SIGN
(OUT OF PLANE CHORDS NOT SHOWN FOR CLARITY)

SIDE VIEW

FOOTING ELEVATION IS ASSUMED.
CONTRACTOR TO VERIFY ELEVATIONS
BEFORE FABRICATION.

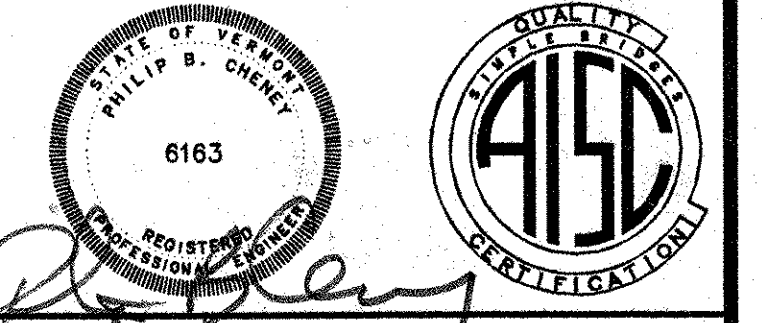


CAMBER DIAGRAM

NOTE:
CAMBER WILL BE ACHIEVED BY SHORTENING LOWER CHORD PIPES BY AN AMOUNT SUCH THAT POSITIVE UPWARD DEFLECTION IS PRODUCED WHEN TRUSSES ARE BROUGHT TOGETHER AT SPLICES.

ALL DIMENSIONS SHOWN ARE IN MILLIMETERS (mm) UNLESS OTHERWISE NOTED. ENGLISH CONVERSION SHOWN IN [] FOR REFERENCE ONLY.

RECEIVED
CHK'D BY GWC OK'D BY
JUL 27 2007
RESUBMIT APPROVED K
BY DATE 08/07/07



REVISIONS		
No.	Remarks	Date
0	Initial submittal	

HIGHWAY SAFETY CORP.
GLASTONBURY, CT

TRI-CHORD SIGN STRUCTURE
STATE OF VERMONT
COUNTY OF CALEDONIA
MM 10.470 NB
PROJECT No. HES 091-3(42)
HES 093-1(10)

DRAWN: MHM
CHECKED: P. Radice
DATE: 5/23/07
SCALE: N.T.S.
HSC REFERENCE NO.: 1587f
GENERAL CONTRACTOR: F.R. LAFAYETTE
SUB CONTRACTOR: F.R. LAFAYETTE
SIZE: D REVISION: 0
SHEET NO.: 1 of 8

210-6162-2