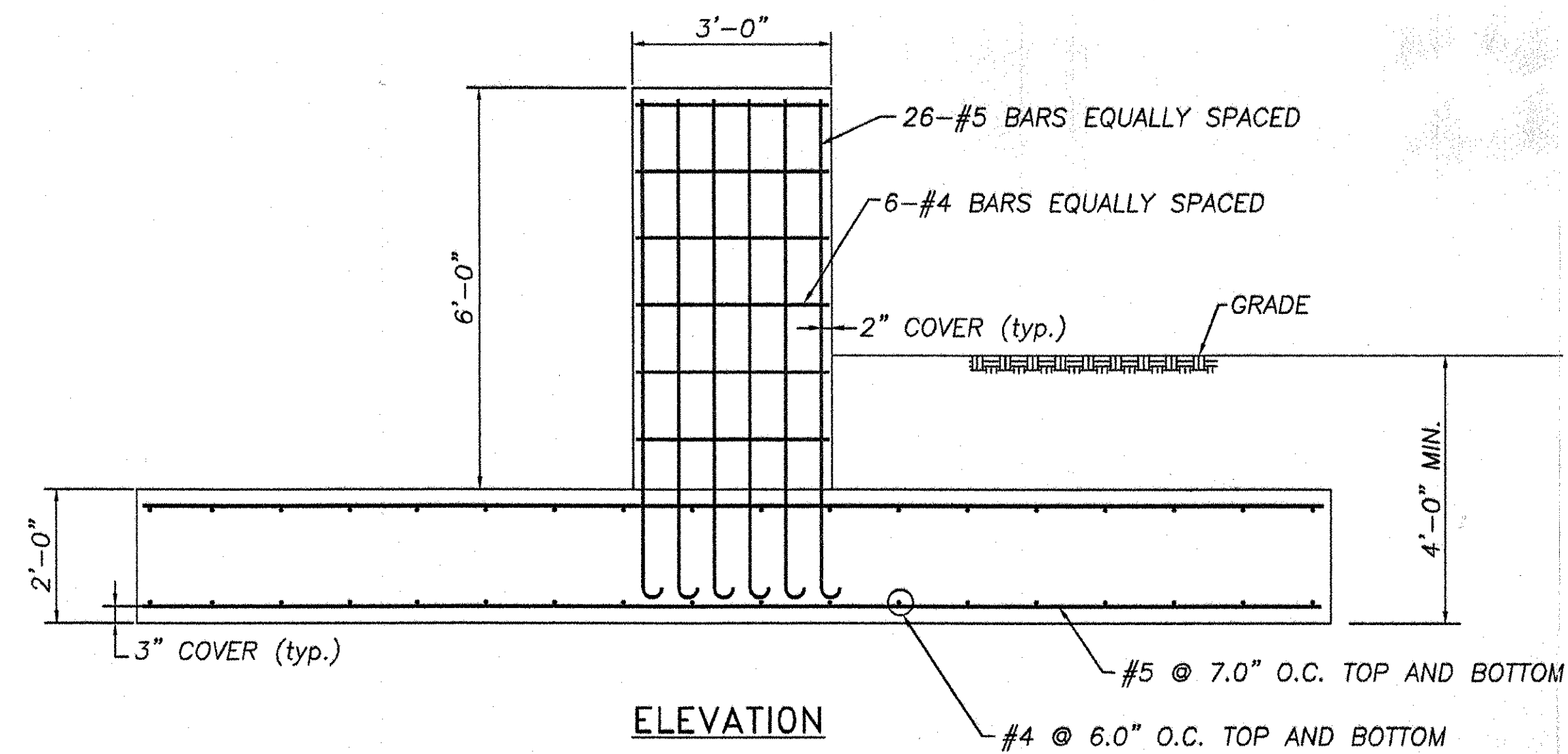
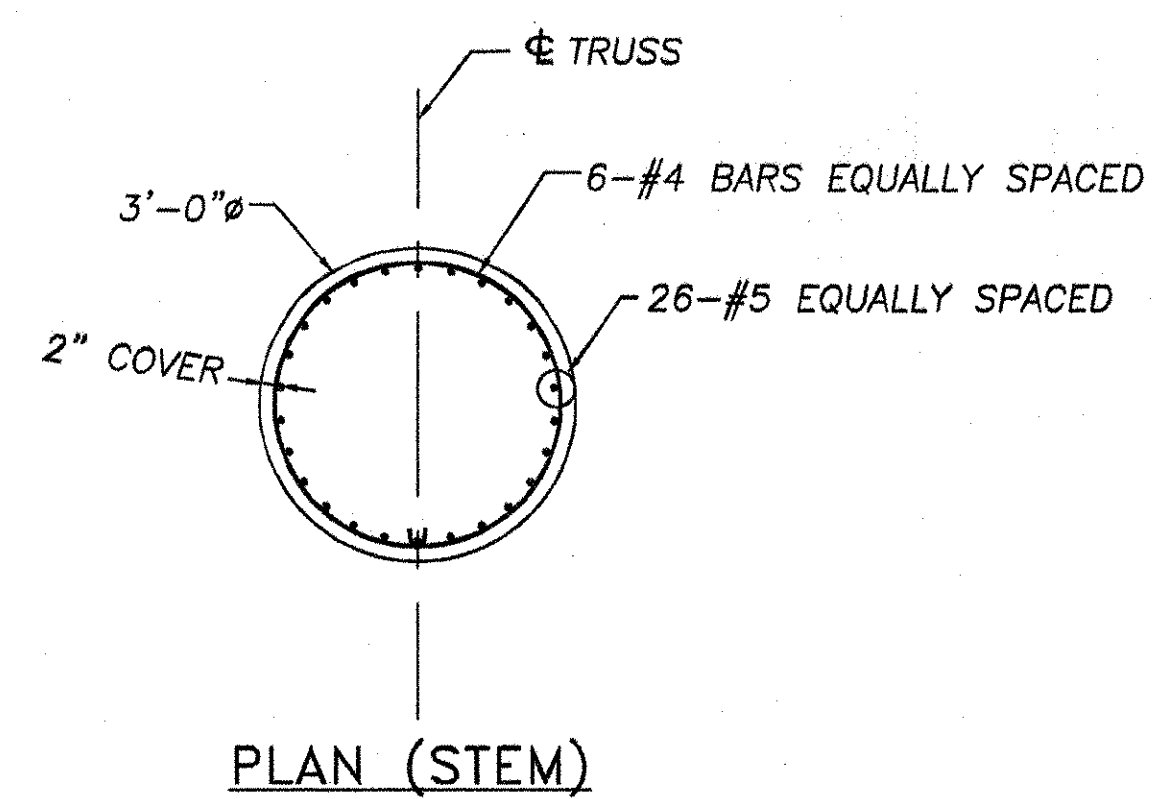


PLAN



ELEVATION



PLAN (STEM)

REBAR LIST

REBAR	PCS. REQD.	LENGTH
#4	12	9'-4"
#4	144	15'-6"
#5	96	17'-6"
#5 (HOOK ONE END)	52	8'-6"

108

RECEIVED  
 OK'D BY EWC  
 JUL 27 2007  
 RESUBMIT \_\_\_\_\_ APPROVED AS NOTED  
 BY \_\_\_\_\_ DATE 08/02/07



**HIGHWAY SAFETY CORP.**  
 GLASTONBURY, CT

TRI-CHORD SIGN STRUCTURE  
 STATE OF VERMONT  
 COUNTY OF CALEDONIA  
 MM 10.050 NB  
 PROJECT No. HES 091-3(42)  
 HES 093-1(10)

GENERAL CONTRACTOR  
 SUB CONTRACTOR **F.R. LAFAYETTE**

DRAWN **MHM**  
 CHECKED **P. Radice**  
 DATE **5/23/07**  
 SCALE **N.T.S.**  
 HSC REFERENCE NO. **1587e**  
 SIZE **D** REVISION **0**  
 SHEET NO. **8 of 8**

REVISIONS		
No.	Remarks	Date
0	Initial submittal	

Footings 205-5102-e