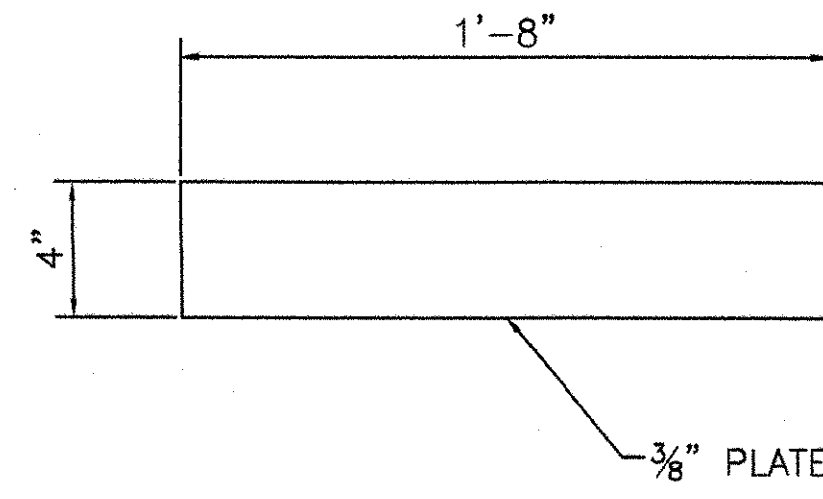
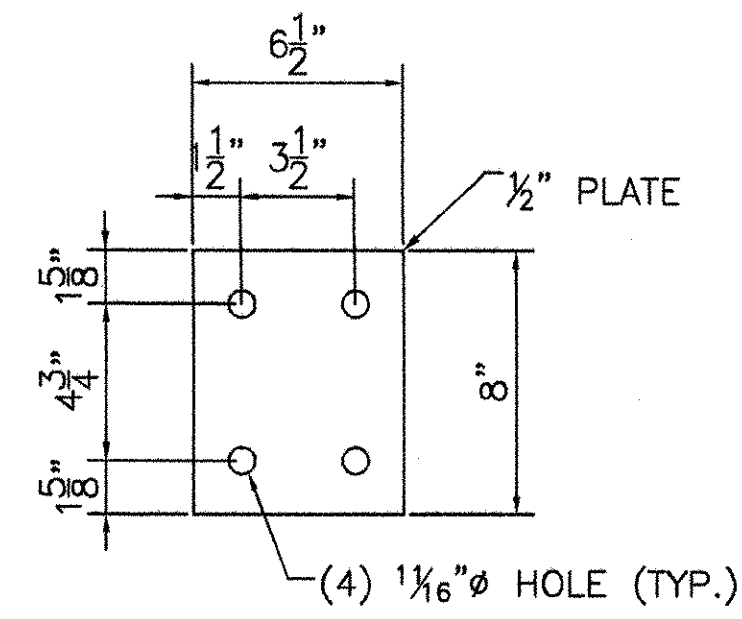


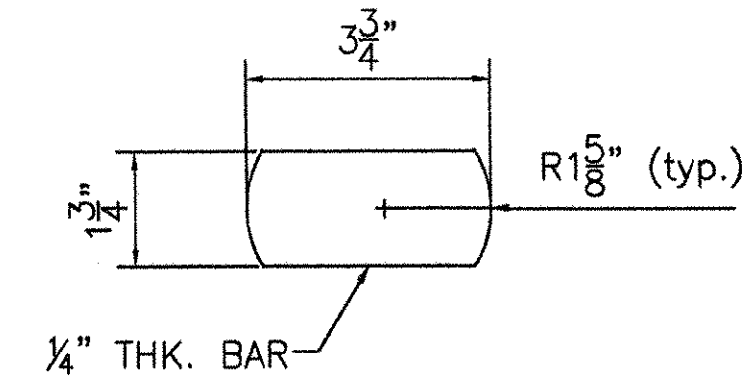
MK-p1



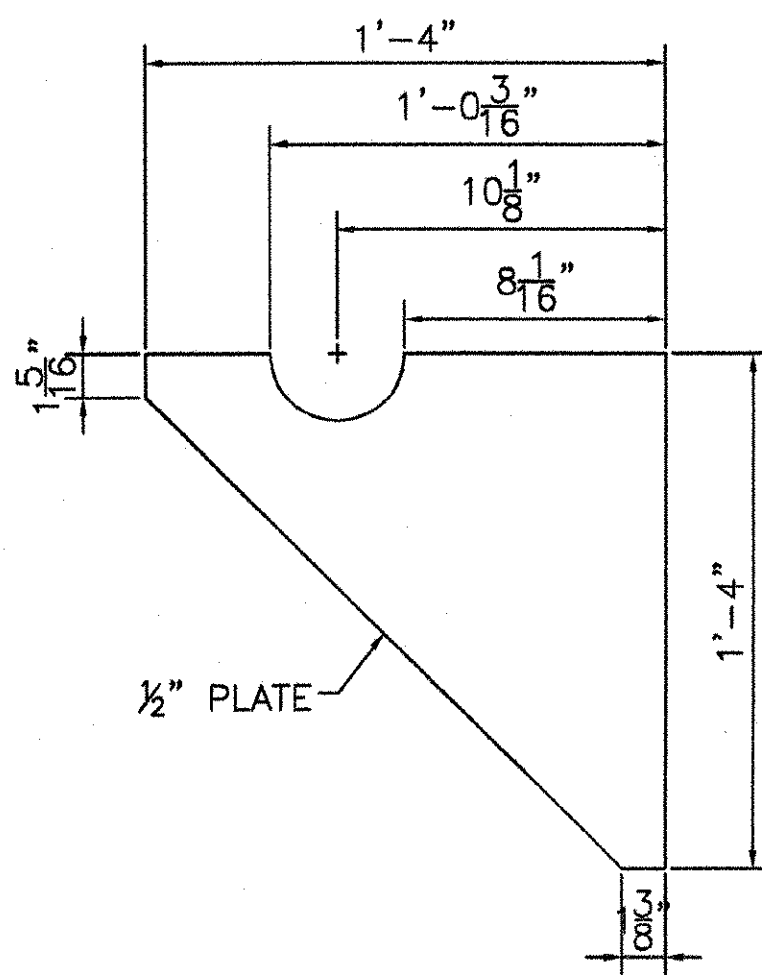
MK-p2



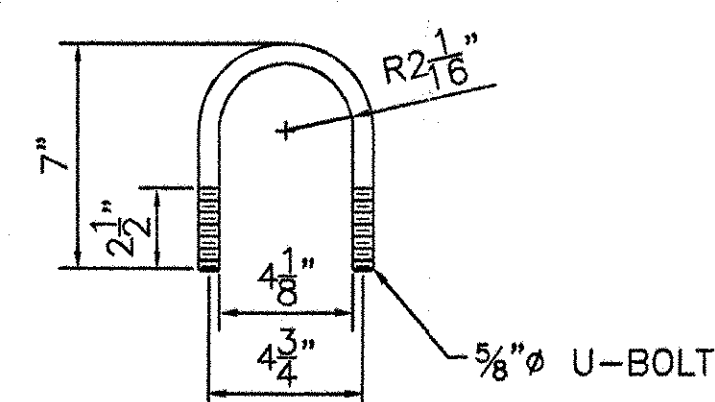
MK-sp



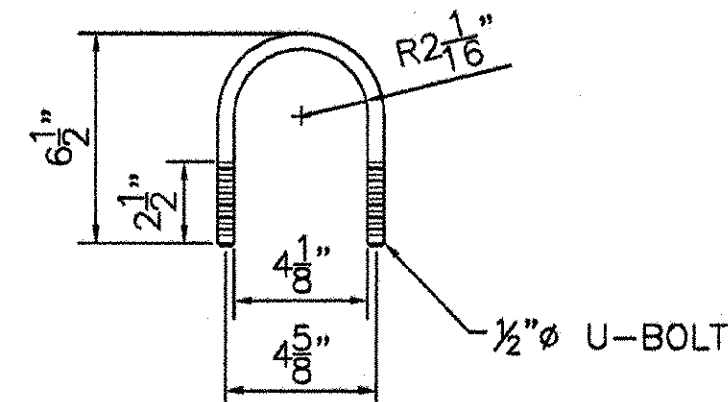
MK-pc



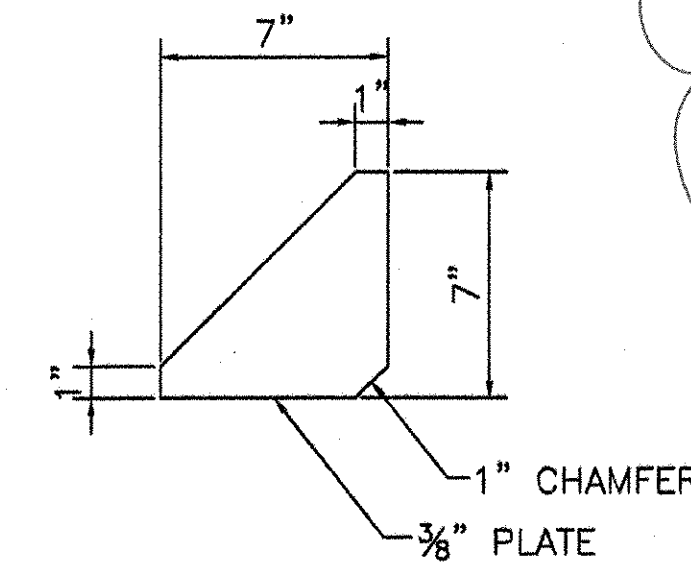
MK-vp



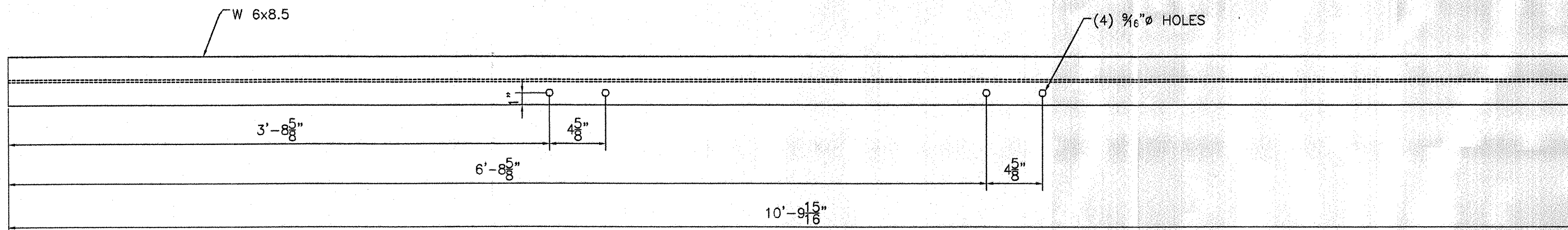
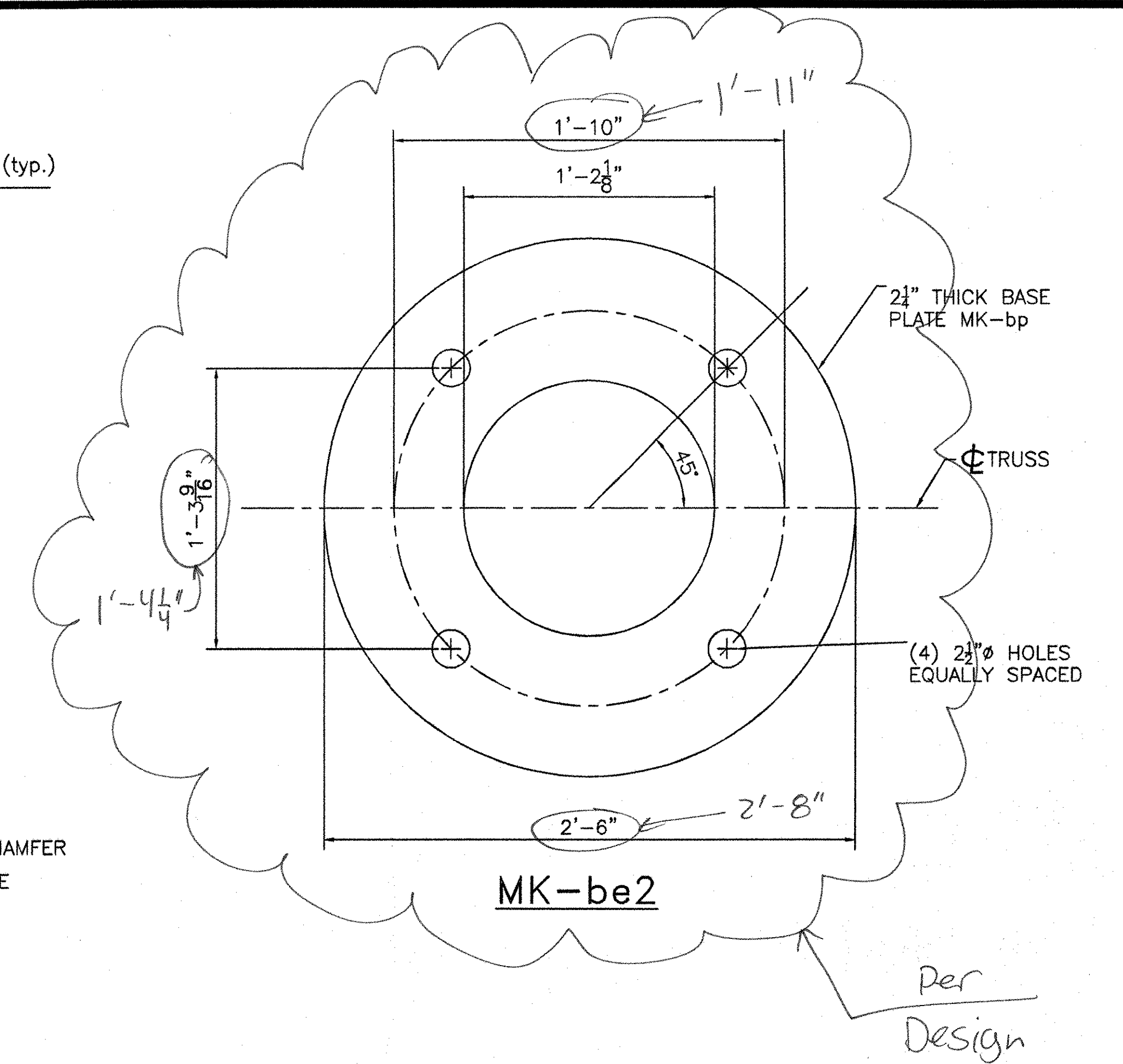
MK-ubb



MK-su1

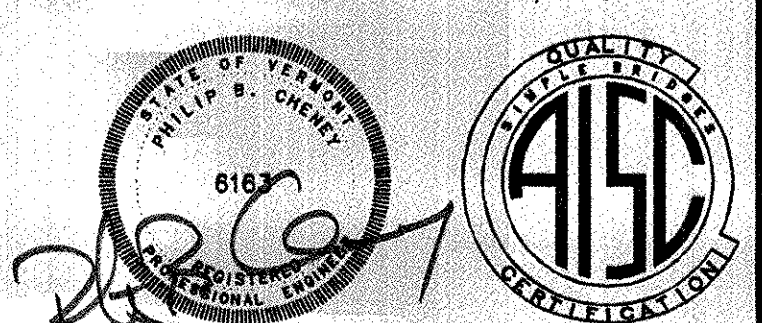


MK-stp2



MK-sv6

RECEIVED
 OK'D BY *AWC* OK'D BY _____
 JUL 27 2007
 RESUBMIT APPROVED *AS NOTED*
 BY _____ DATE 08/02/07



REVISIONS		
No.	Remarks	Date
0	Initial submittal	

HIGHWAY SAFETY CORP.
 GLASTONBURY, CT

TRI-CHORD SIGN STRUCTURE
 STATE OF VERMONT
 COUNTY OF CALEDONIA
 MM 10.050 NB
 PROJECT No. HES 091-3(42)
 HES 093-1(10)

DESIGNED BY: *PH*
 CHECKED BY: *Radice*
 DATE: 5/23/07
 SCALE: NTS
 HSC REFERENCE NO.: 1587e

GENERAL CONTRACTOR: F.R. LAFAYETTE
 SUB CONTRACTOR: F.R. LAFAYETTE

SIZE: D REVISION: 0
 SHEET NO.: 6 of 8