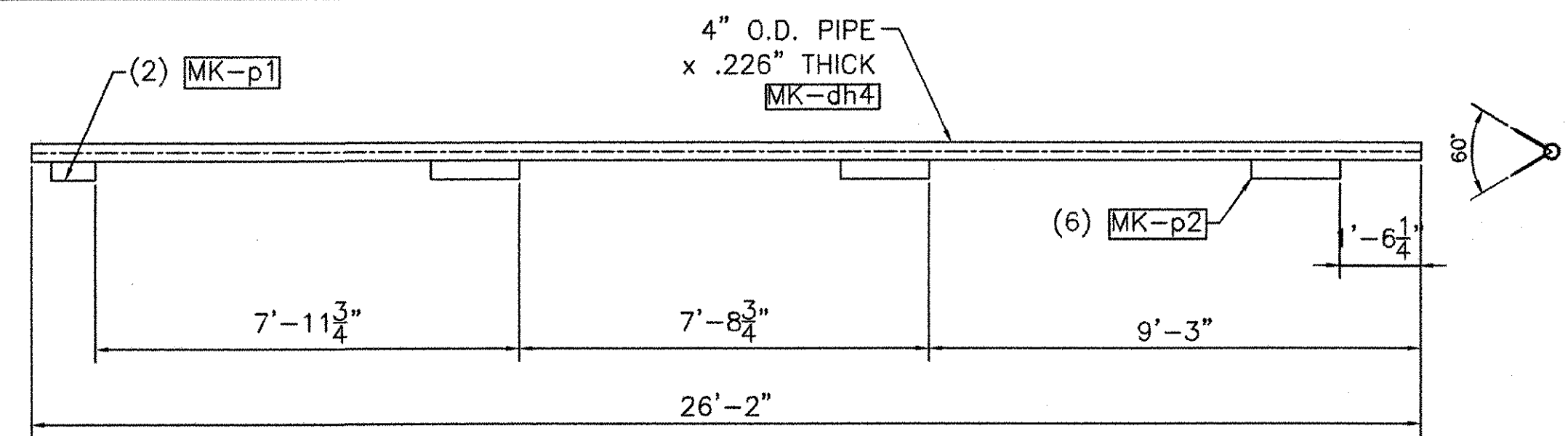
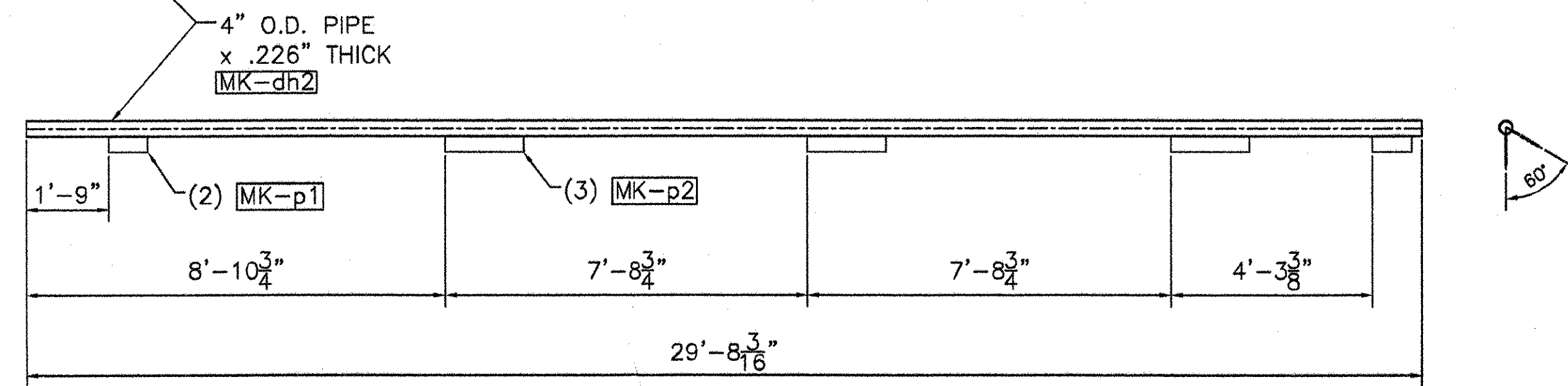
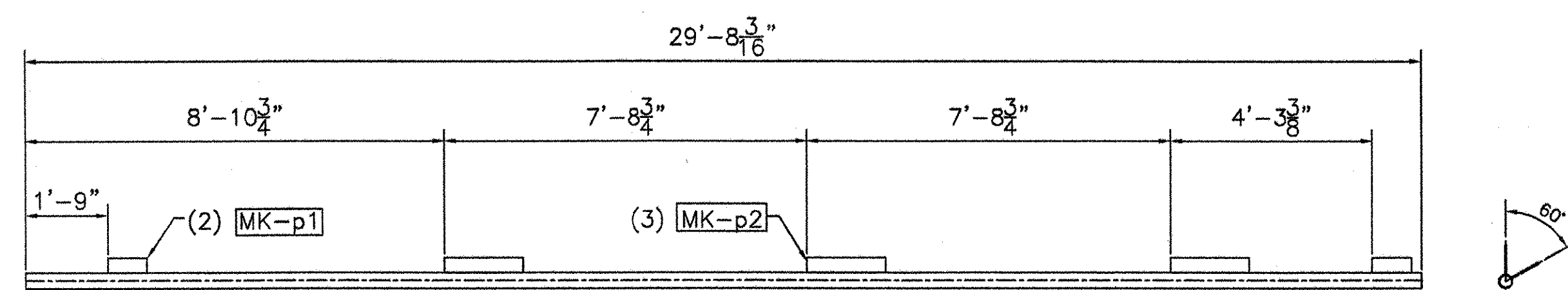


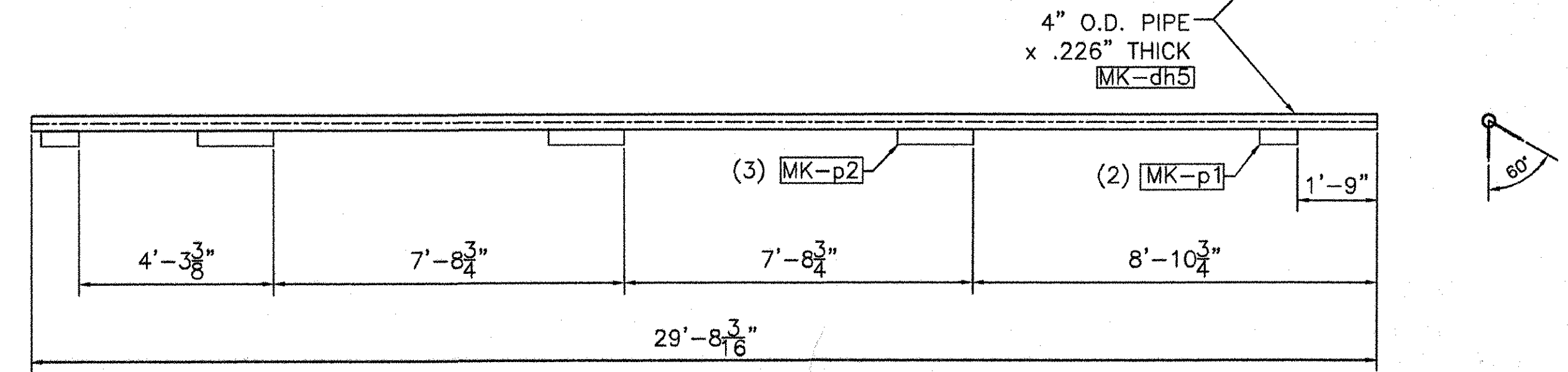
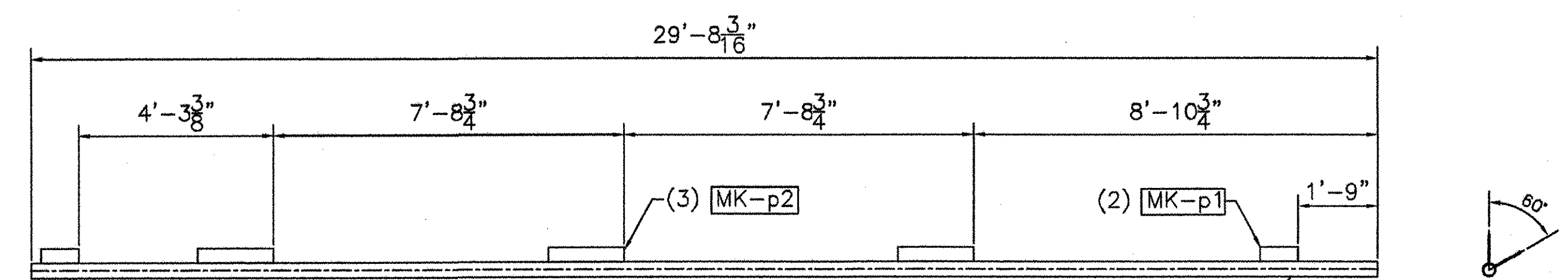
MK-D1



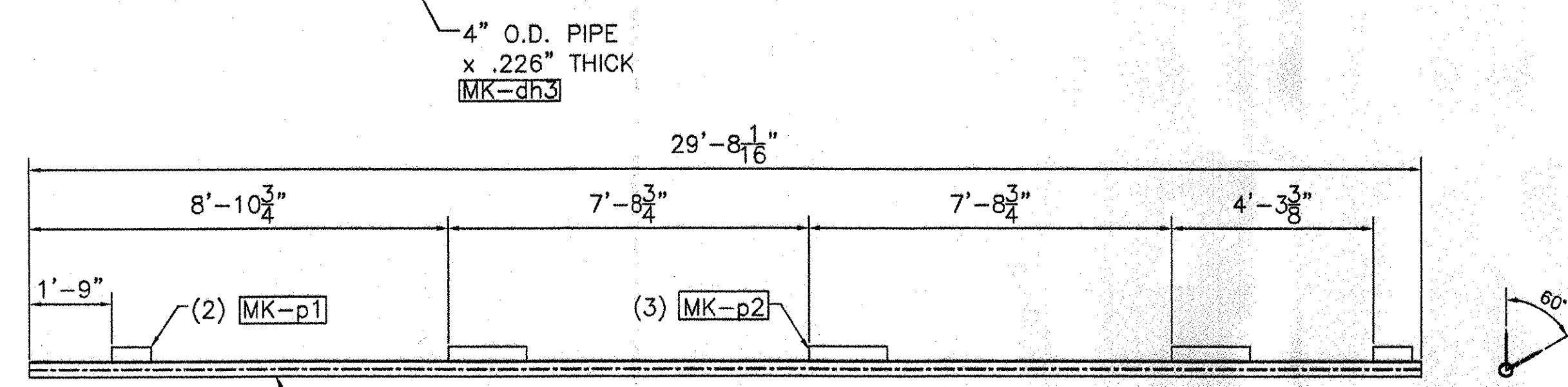
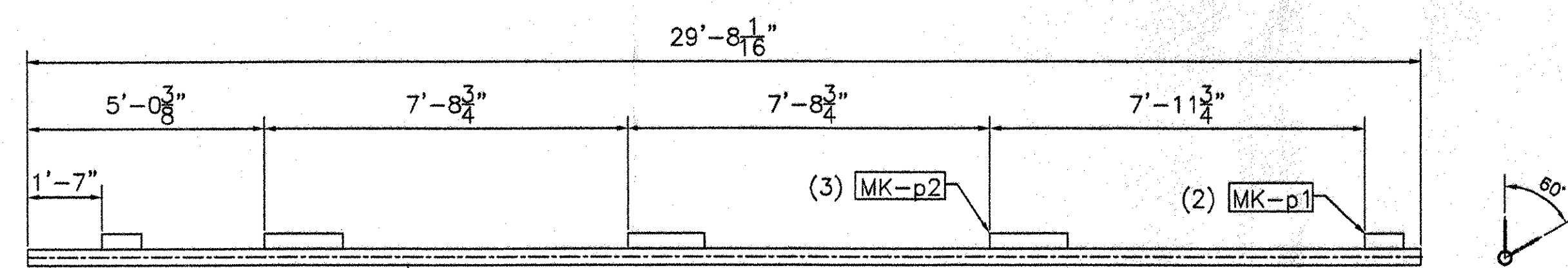
MK-D4



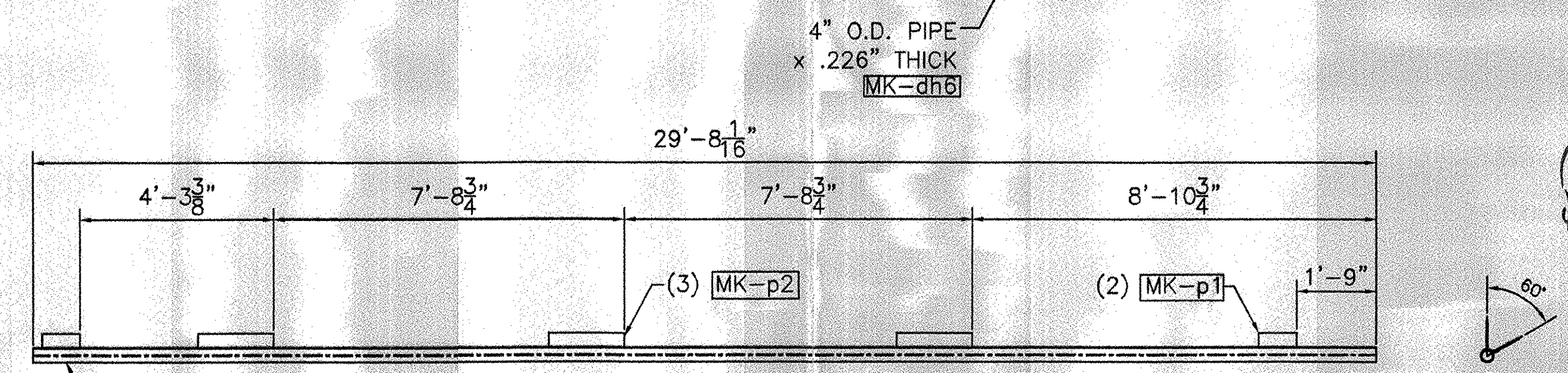
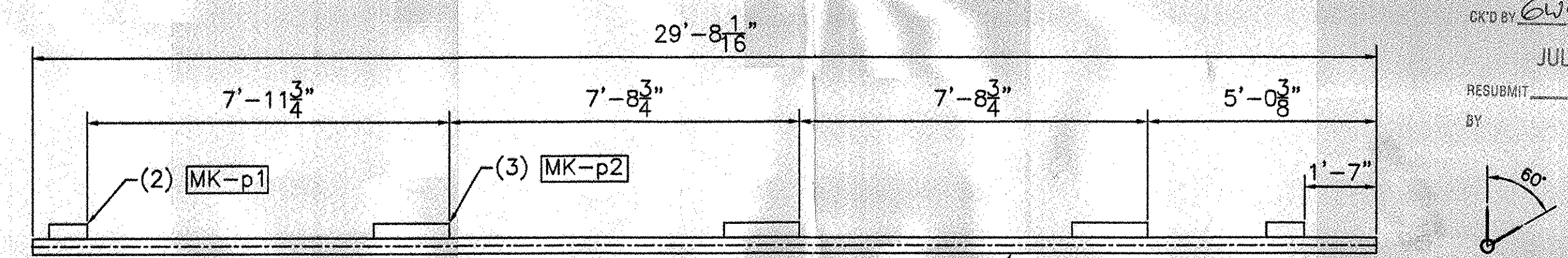
MK-D2



MK-D5



MK-D3



MK-D6

RECEIVED  
 CND BY GWC  
 JUL 27 2007  
 RESUBMIT APPROVED X  
 BY DATE 08/02/07



REVISIONS		
No.	Remarks	Date
0	Initial submittal	

**HIGHWAY SAFETY CORP.**  
 GLASTONBURY, CT

TRI-CHORD SIGN STRUCTURE  
 STATE OF VERMONT  
 COUNTY OF CALEDONIA  
 MM 10.050 NB  
 PROJECT No. HES 091-3(42)  
 HES 093-1(10)

GENERAL CONTRACTOR  
 SUB CONTRACTOR F.R. LAFAYETTE

DRAWN BY MHM  
 CHECKED P. Radice  
 DATE 5/23/07  
 SCALE NTS  
 HSC REFERENCE NO. 1587e  
 SIZE D REVISION 0  
 SHEET NO. 5 of 8