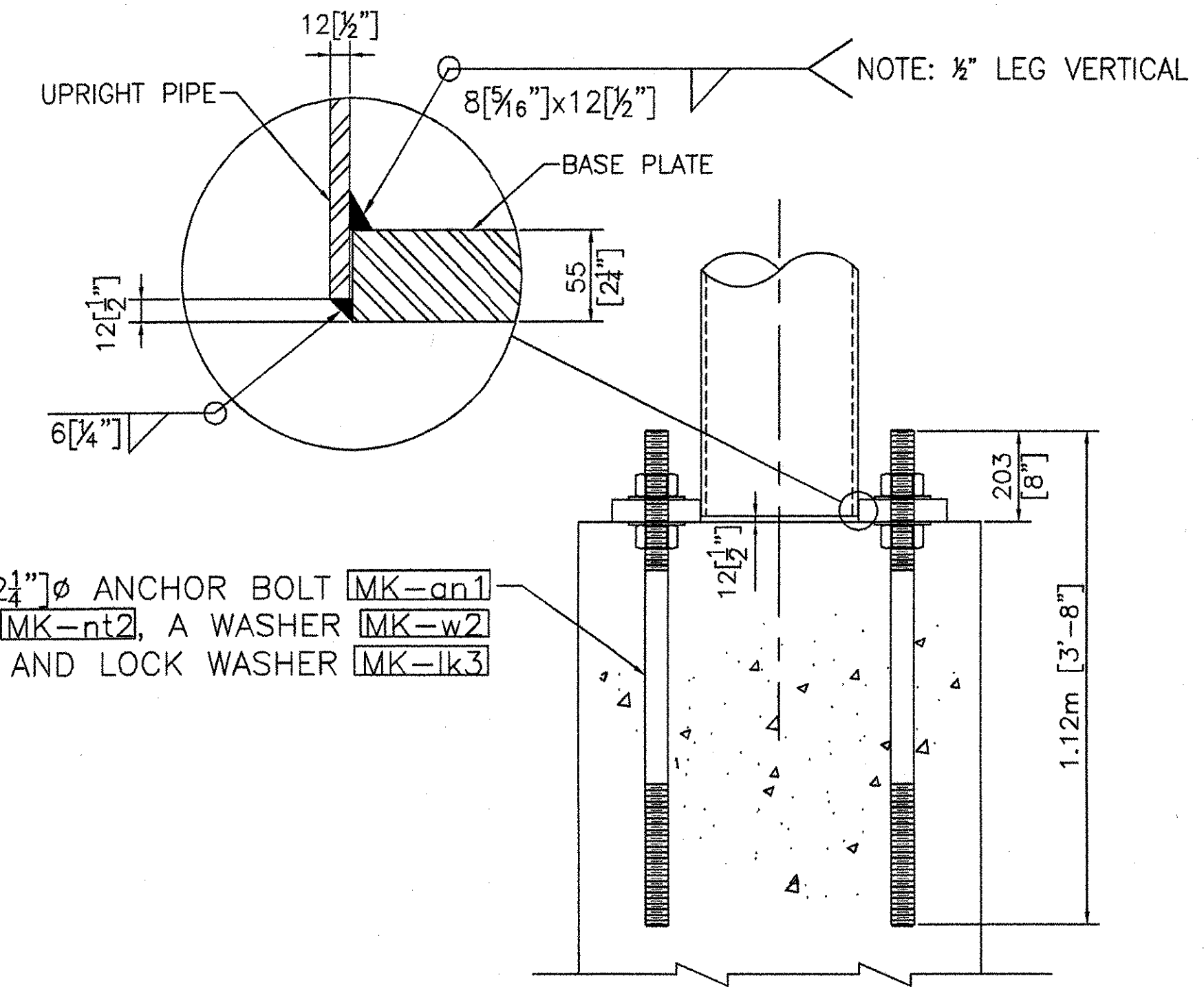
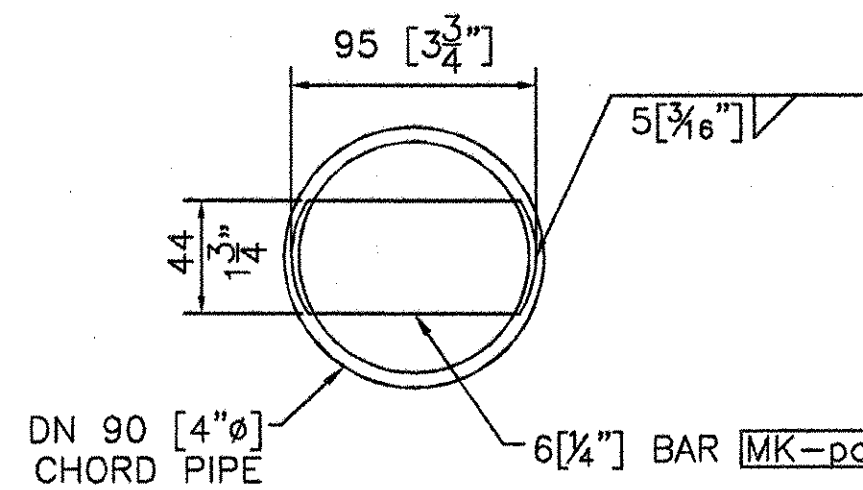


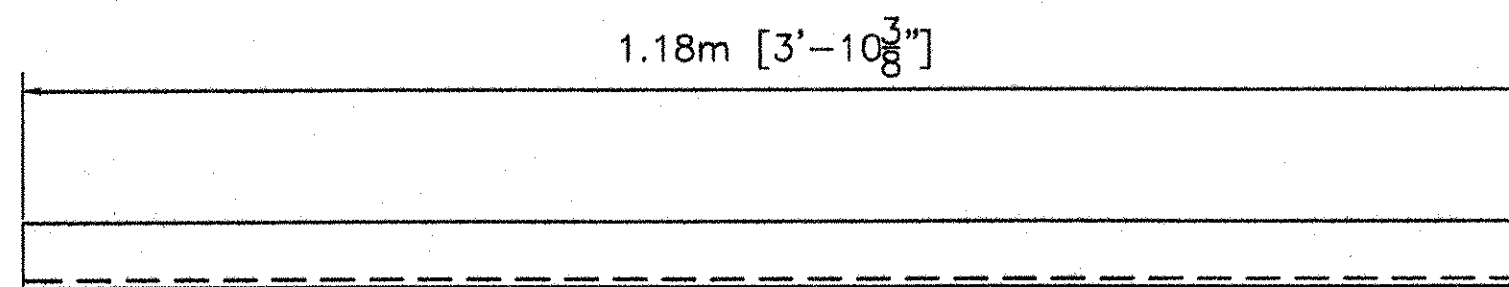
TRUSS CONNECTION DETAIL



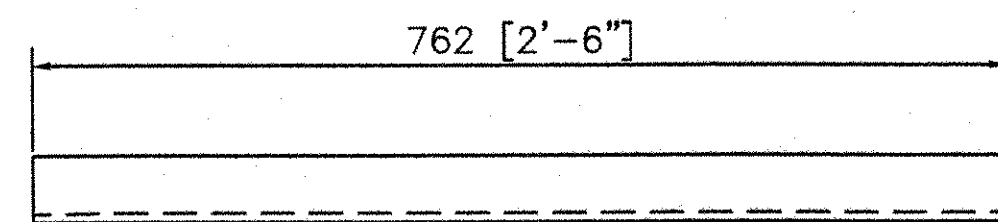
ANCHORAGE ASSEMBLY



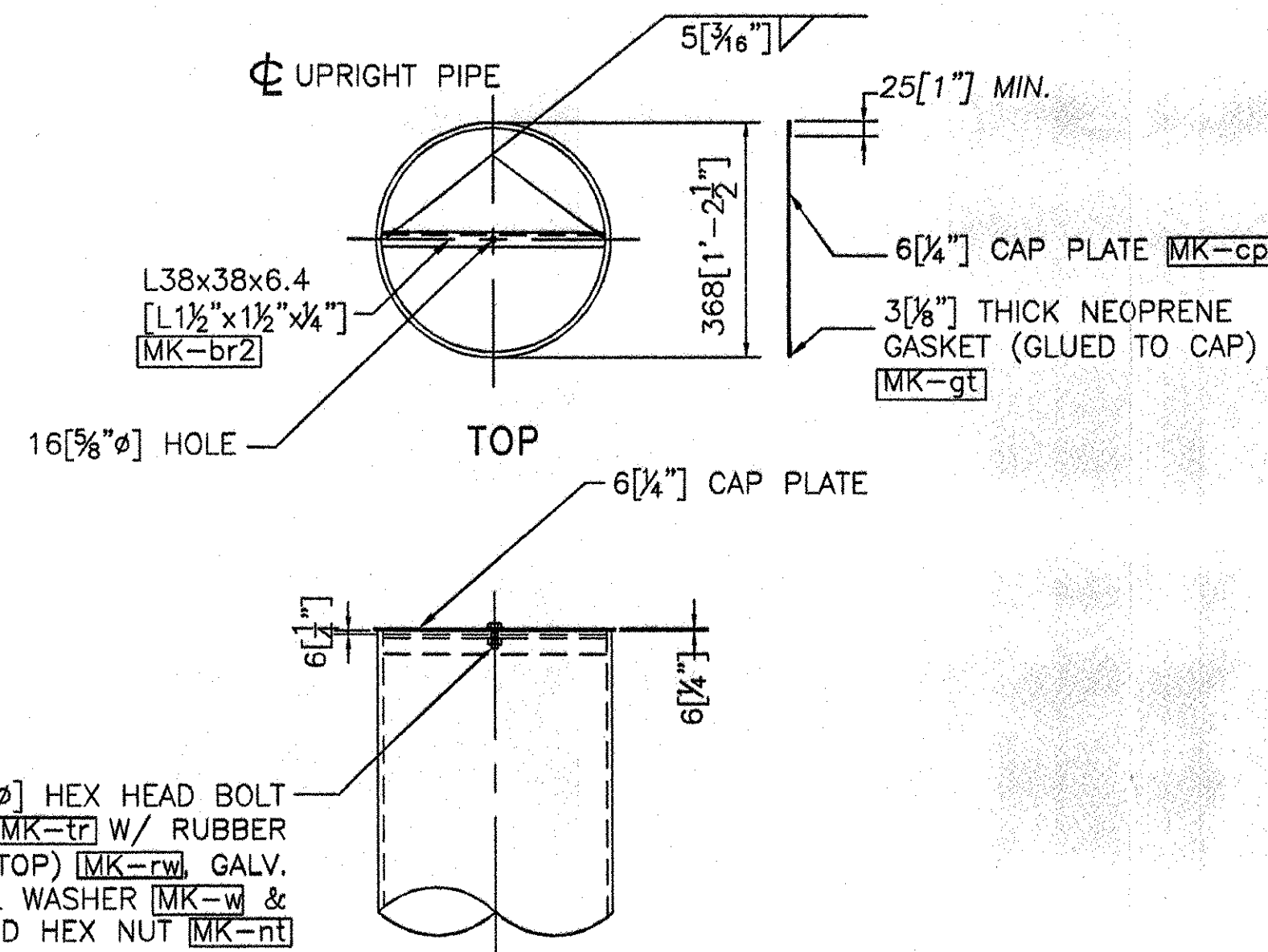
PLUG DETAIL
(EACH END OF TRUSS CHORD)



MK-ag3
L51x51x6.4
[L2x2x 3/4 inch]

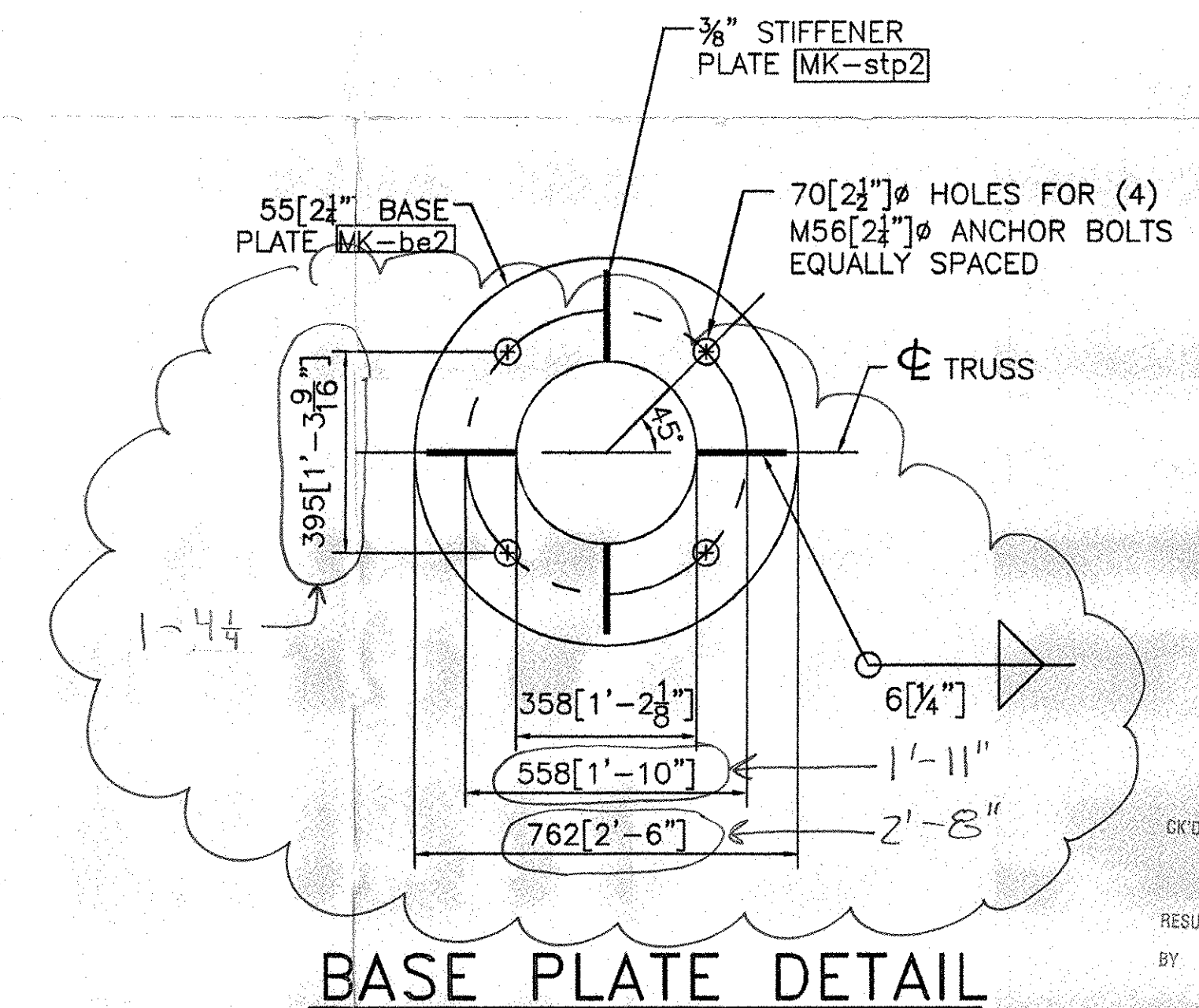


MK-ag2
L51x51x6.4
[L2x2x 3/4 inch]



UPRIGHT CAP DETAIL

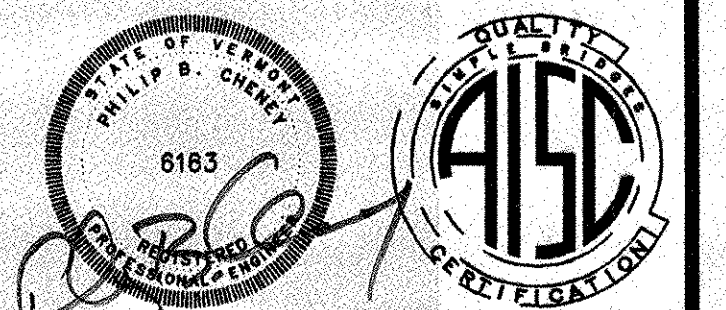
ASSEMBLE CAP TO POST PRIOR TO SHIPPING.



BASE PLATE DETAIL

NOTE:
BASE PLATE SHALL BE STAMPED WITH THE VERTICAL POLE DIAMETER (VD.), HEIGHT (VHT.), YIELD STRENGTH (VYS.), GAUGE (VGE.), AND SAME FOR HORIZONTAL MEMBER (HD.), (HYS.), AND (HGE.).

RECEIVED
OK'D BY: *SW* OK'D BY: _____
JUL 27 2007
RESUBMIT _____ APPROVED AS NOTED
BY: _____ DATE 08/02/07



ALL DIMENSIONS SHOWN ARE IN MILLIMETERS (mm) UNLESS OTHERWISE NOTED. ENGLISH CONVERSION SHOWN IN [] FOR REFERENCE ONLY.

REVISIONS		
No.	Remarks	Date
0	Initial submittal	

HIGHWAY SAFETY CORP.
GLASTONBURY, CT

TRI-CHORD SIGN STRUCTURE
STATE OF VERMONT
COUNTY OF CALEDONIA
MM 10.050 NB
PROJECT No. HES 091-3(42)
HES 093-1(10)

DRAWN: MHM
CHECKED: P. Radice
DATE: 5/23/07
SCALE: NTS
PROJECT REFERENCE NO.: 1587e
GENERAL CONTRACTOR: _____
SUB CONTRACTOR: F.R. LAFAYETTE

SIZE: D REVISION: 0
SHEET NO.: 4 of 8