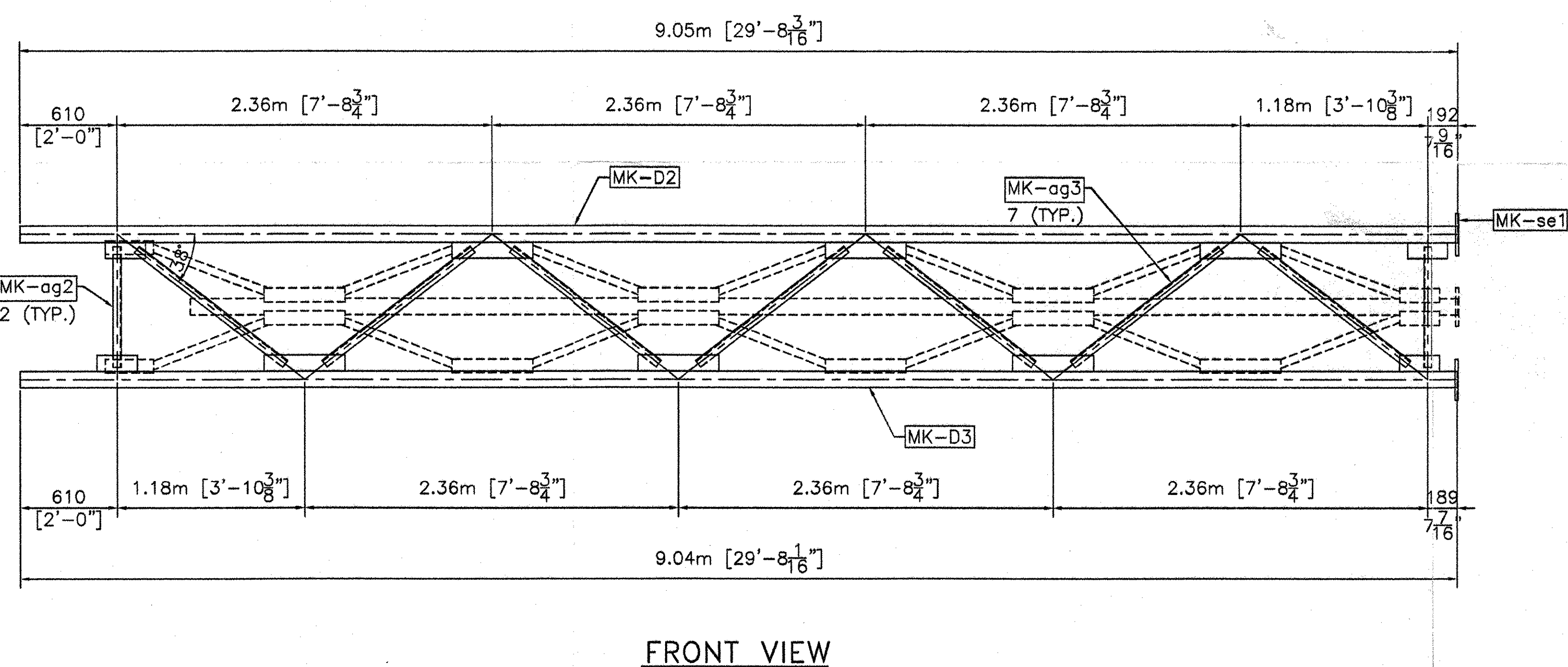
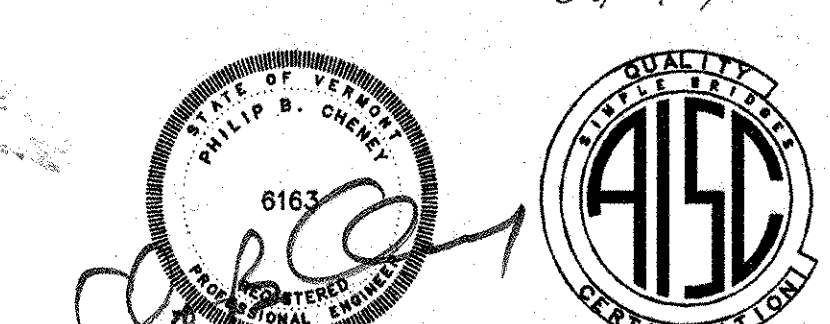


RECEIVED  
 OK'D BY *GUC*  
 JUL 27 2007  
 RESUBMIT APPROVED BY *A*  
 BY DATE 08/07/07



TRUSS 1

ALL DIMENSIONS SHOWN ARE IN MILLIMETERS (mm) UNLESS OTHERWISE NOTED. ENGLISH CONVERSION SHOWN IN [ ] FOR REFERENCE ONLY.



REVISIONS		
No.	Remarks	Date
0	Initial submittal	

**HIGHWAY SAFETY CORP.**  
 GLASTONBURY, CT

TRI-CHORD SIGN STRUCTURE  
 STATE OF VERMONT  
 COUNTY OF CALEDONIA  
 MM 10.050 NB  
 PROJECT No. HES 091-3(42)  
 HES 093-1(10)

DRAWN: MHM  
 CHECKED: P Radice  
 DATE: 5/23/07  
 SCALE: NTS  
 HSC REFERENCE NO.: 1587e  
 SIZE: D REVISION: 0  
 SHEET NO.: 2 of 8

GENERAL CONTRACTOR: F.R. LAFAYETTE