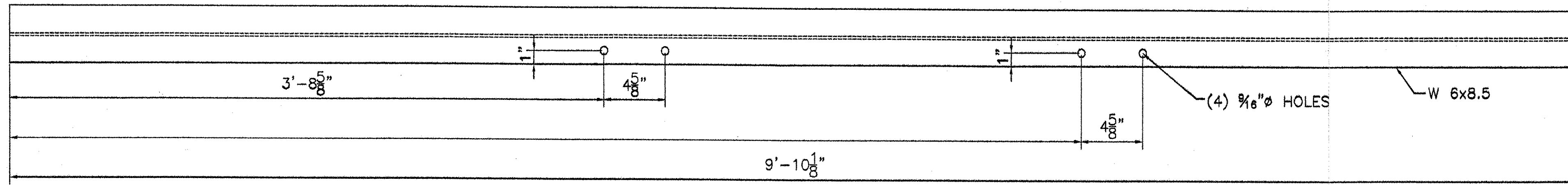
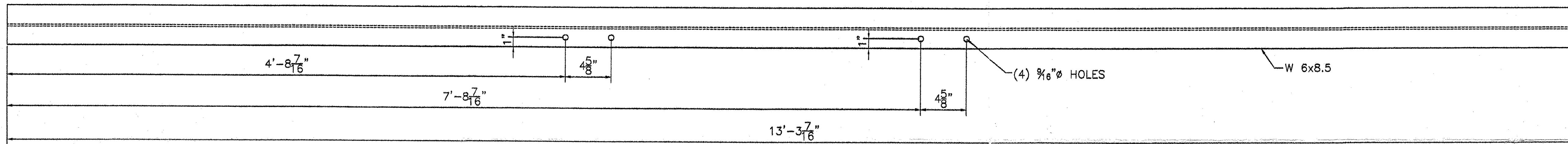


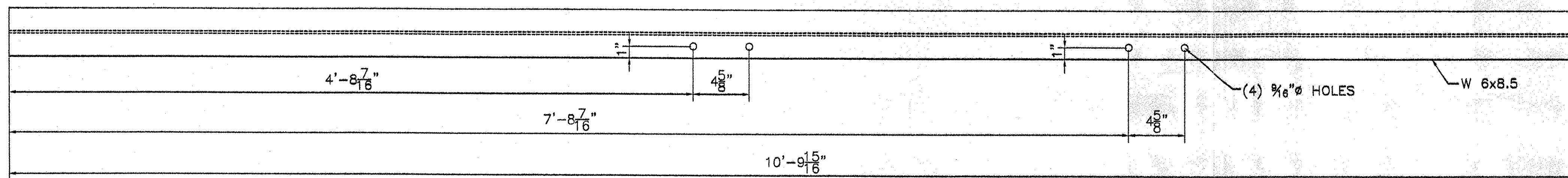
MK-sv1



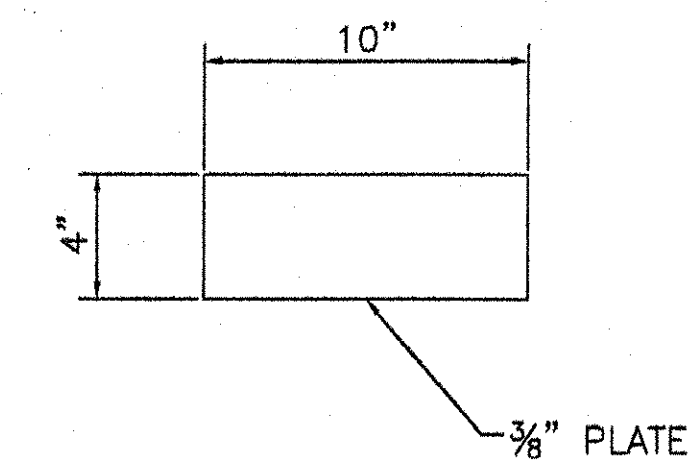
MK-sv2



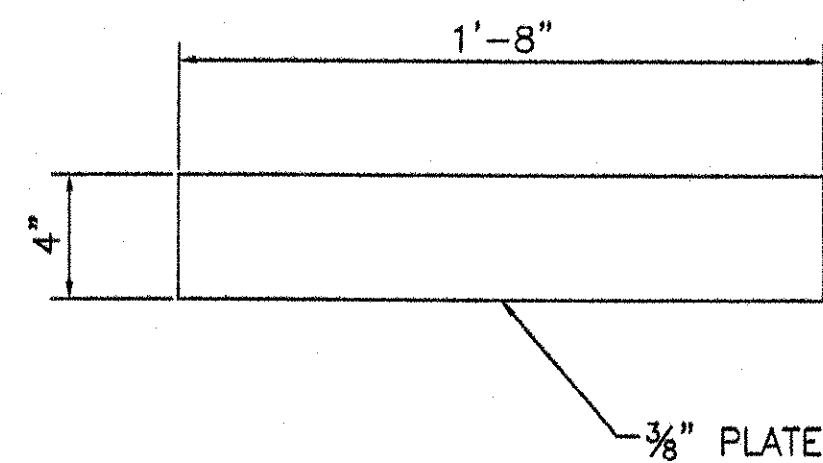
MK-sv3



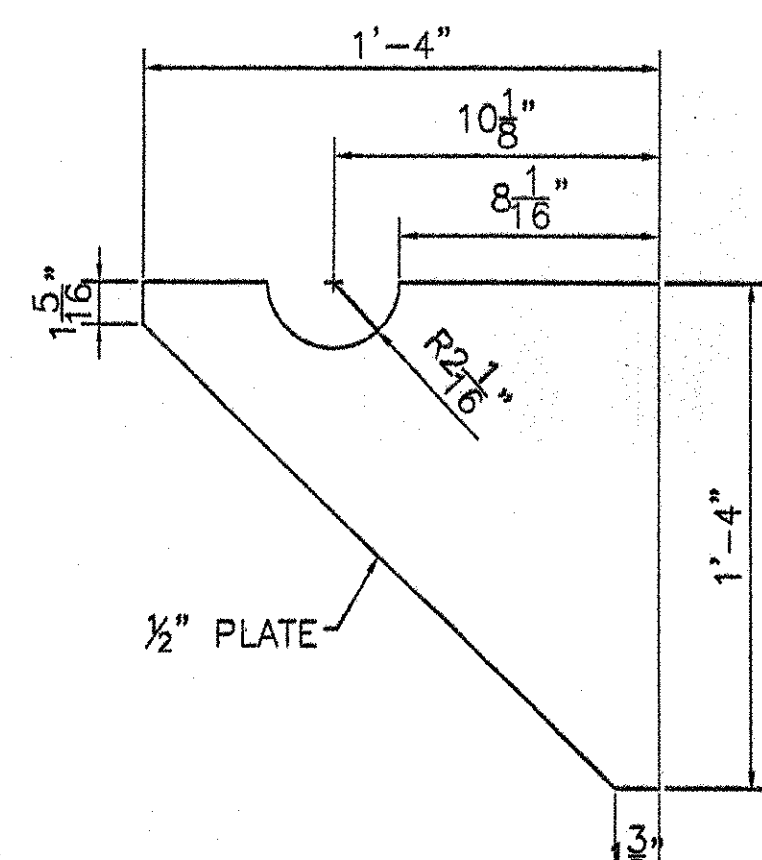
MK-sv4



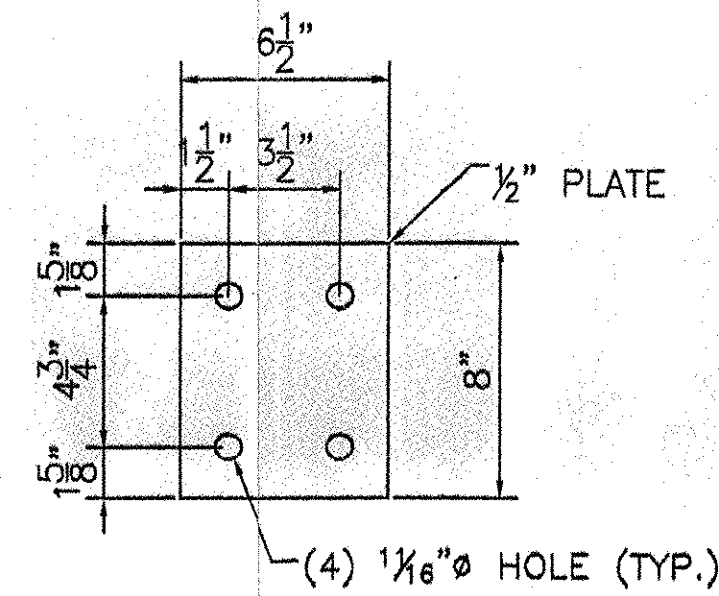
MK-p1



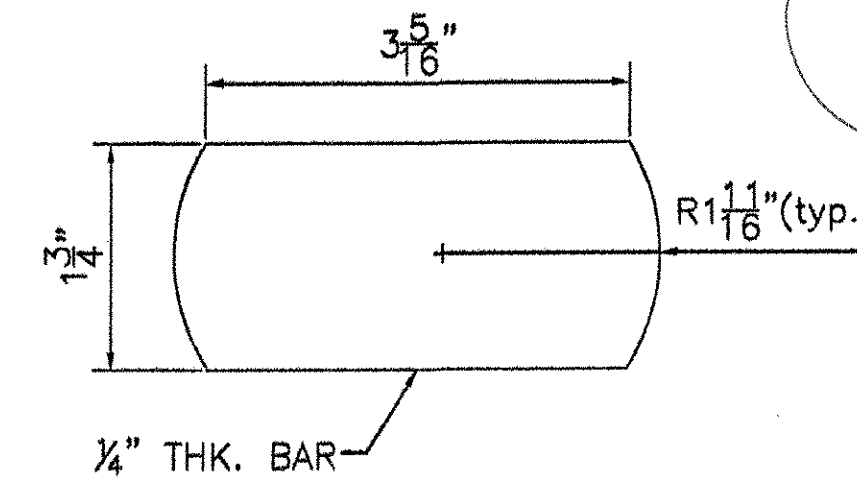
MK-p2



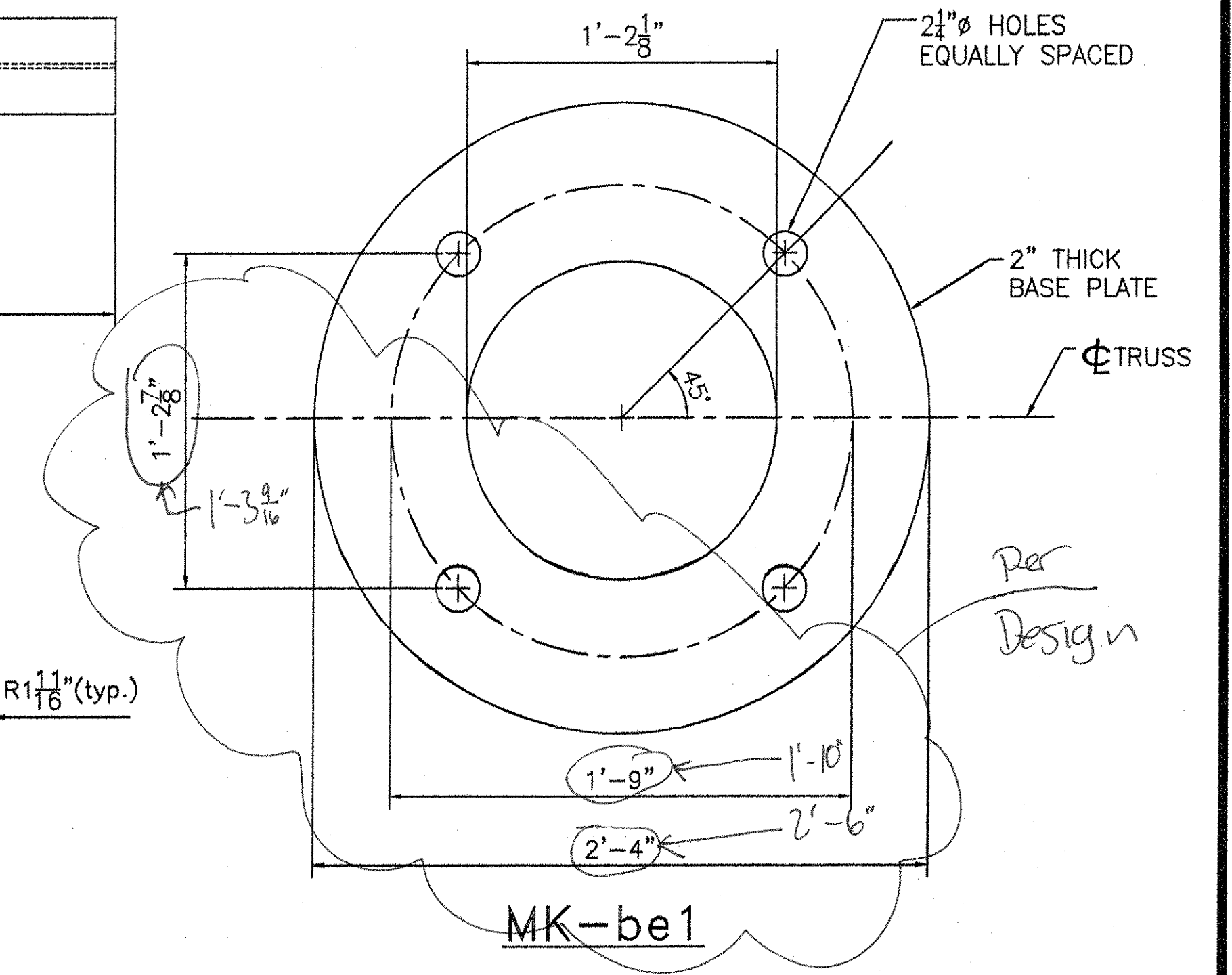
MK-vp



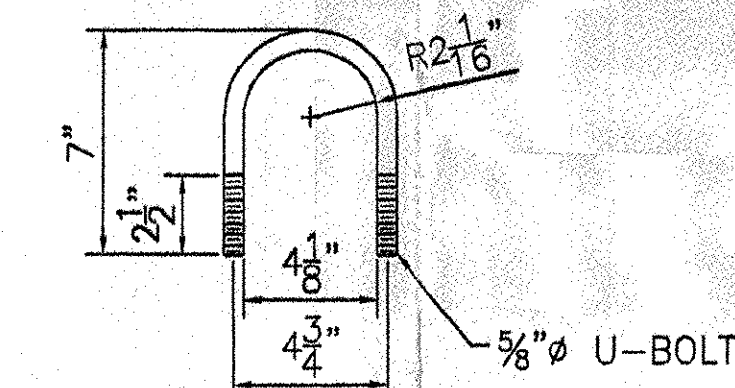
MK-sp



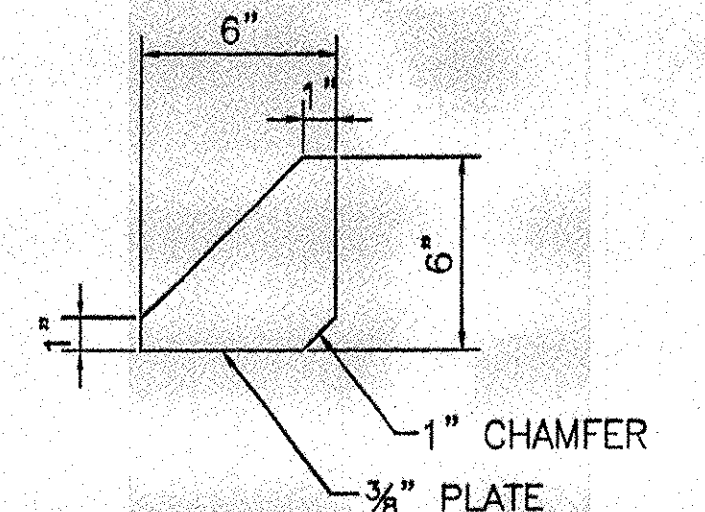
MK-pc



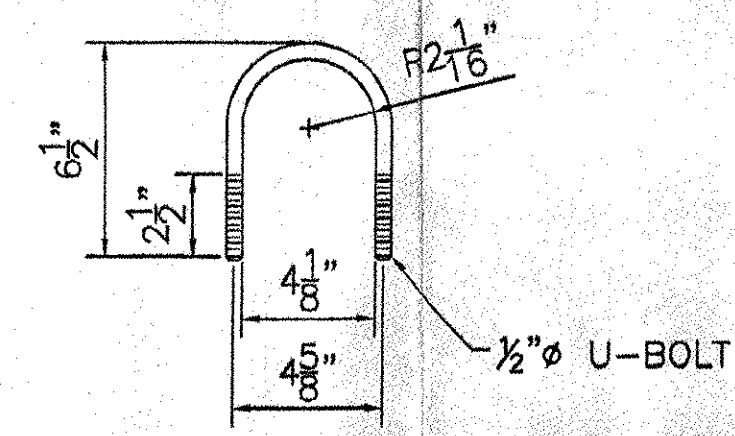
MK-be1



MK-ubb

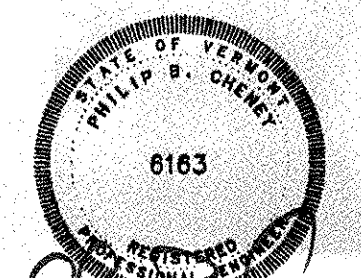


MK-stp



MK-su1

RECEIVED
 OK'D BY: GWC
 JUL 27 2007
 RESUBMIT APPROVED AS NOTED
 BY DATE 07/31/07



HIGHWAY SAFETY CORP.
 GLASTONBURY, CT

TRI-CHORD SIGN STRUCTURE
 STATE OF VERMONT
 COUNTY OF CALEDONIA
 MM 129.130 SB
 PROJECT No. HES 091-3(42)
 HES 093-1(10)

GENERAL CONTRACTOR: F.R. LAFAYETTE
 SUB CONTRACTOR: F.R. LAFAYETTE

DRAWN: MHM
 CHECKED: P Radice
 DATE: 5/23/07
 SCALE: NTS
 HSC REFERENCE NO.: 1587d
 SIZE: D
 REVISION: 0
 SHEET NO.: 6 of 8

REVISIONS		
No.	Remarks	Date
0	Initial submittal	