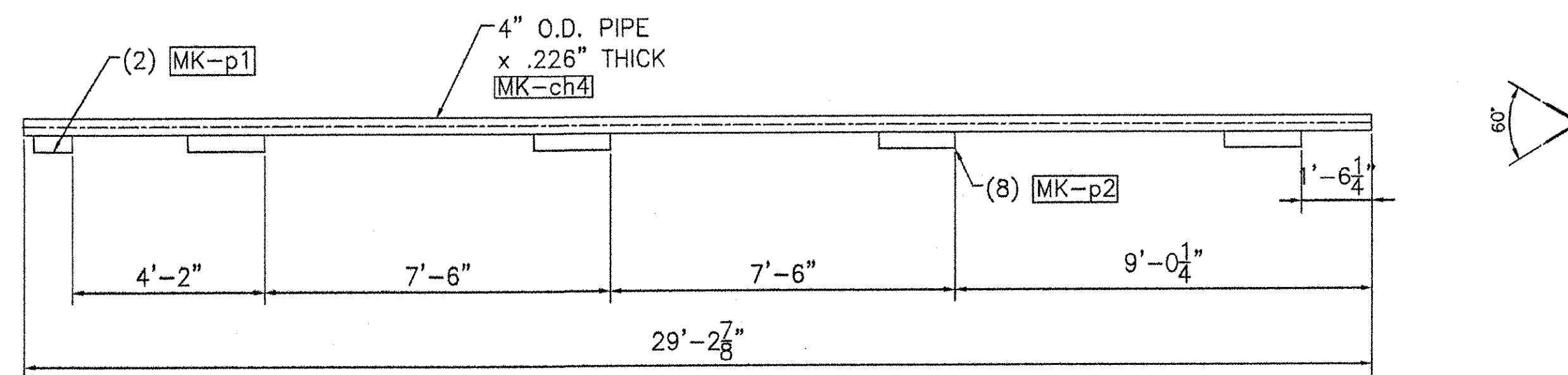
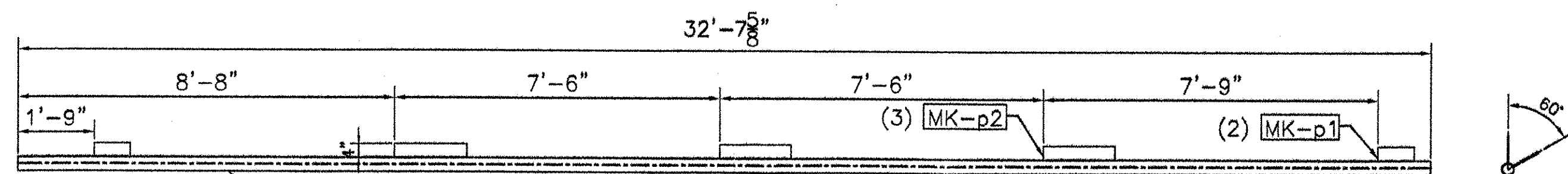


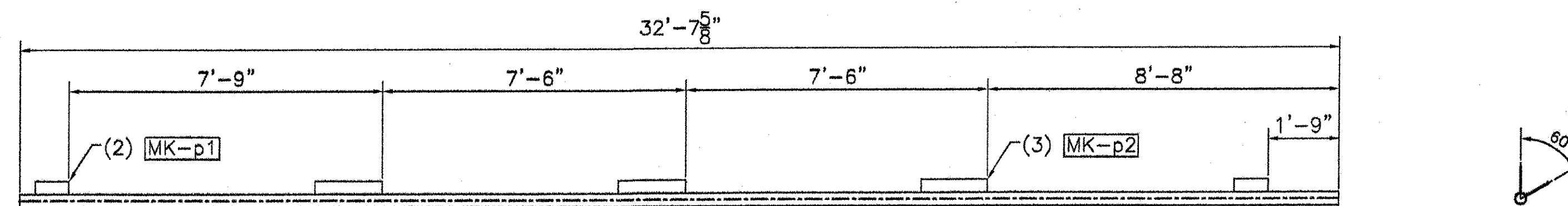
MK-C1



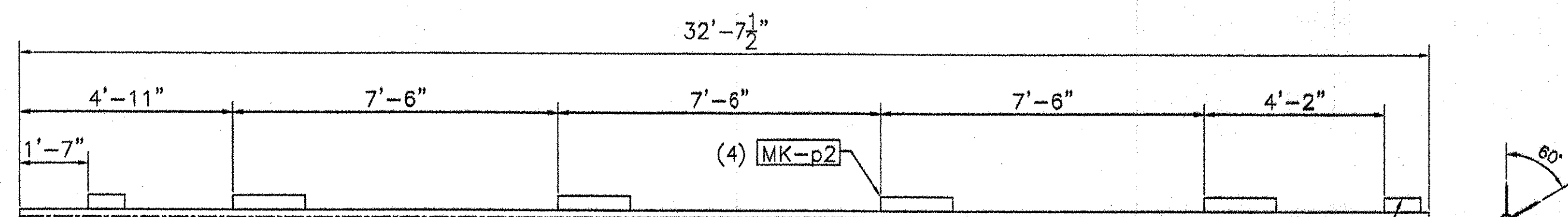
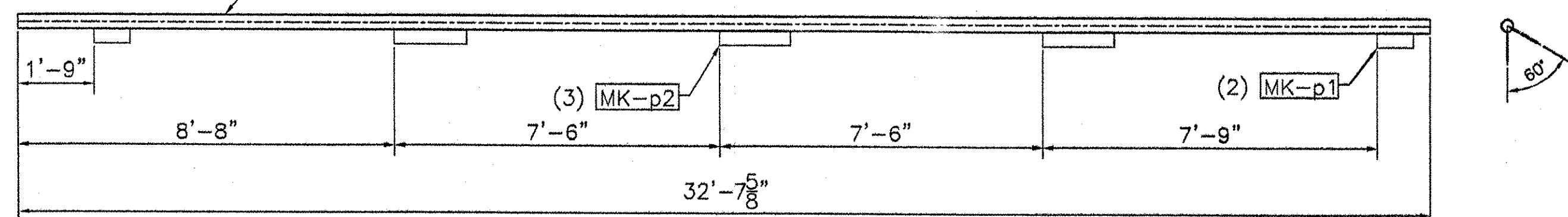
MK-C4



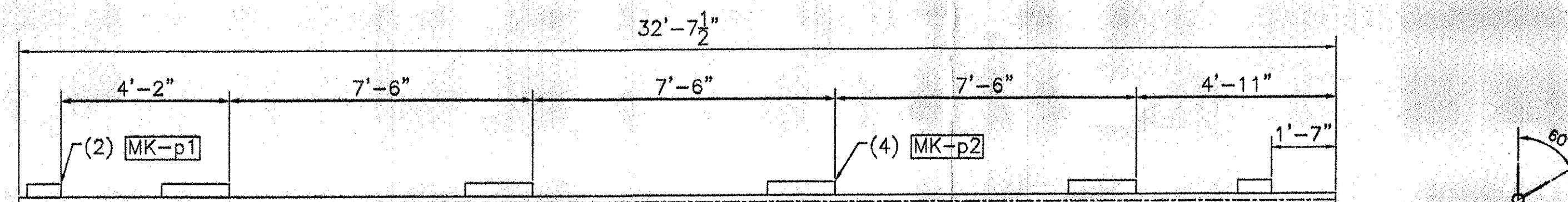
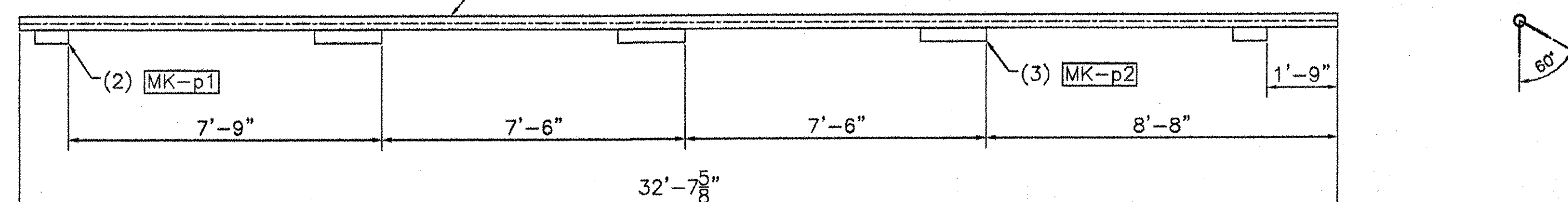
MK-C2



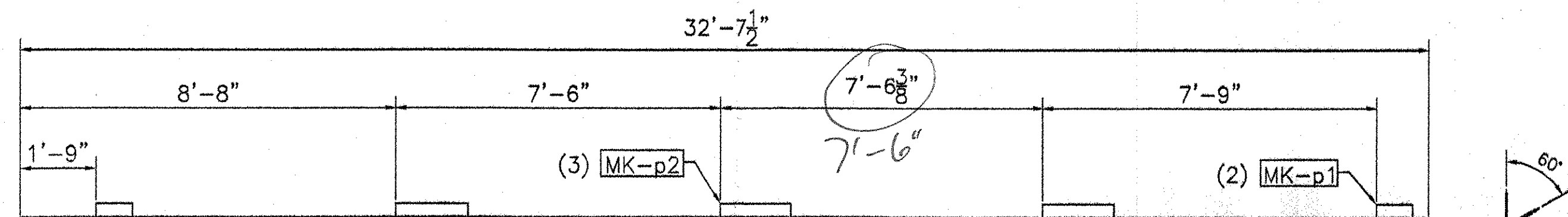
MK-C5



MK-C3

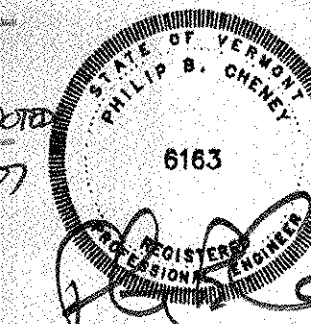


MK-C6



REVISIONS		
No.	Remarks	Date
0	Initial submittal	

RECEIVED
 OK'D BY: *[Signature]*
 JUL 27 2007
 APPROVED AS NOTED
 DATE 07/31/07



HIGHWAY SAFETY CORP.
 GLASTONBURY, CT

TRI-CHORD SIGN STRUCTURE
 STATE OF VERMONT
 COUNTY OF CALEDONIA
 MM 129.130 SB
 PROJECT No. HES 091-3(42)
 HES 093-1(10)

GENERAL CONTRACTOR
 SUB CONTRACTOR F.R. LAFAYETTE

DRAWN: MHM
 CHECKED: P. Radice
 DATE: 5/23/07
 SCALE: NTS
 THIS REFERENCE NO.: 1587d
 SHEET NO.: 5 of 8