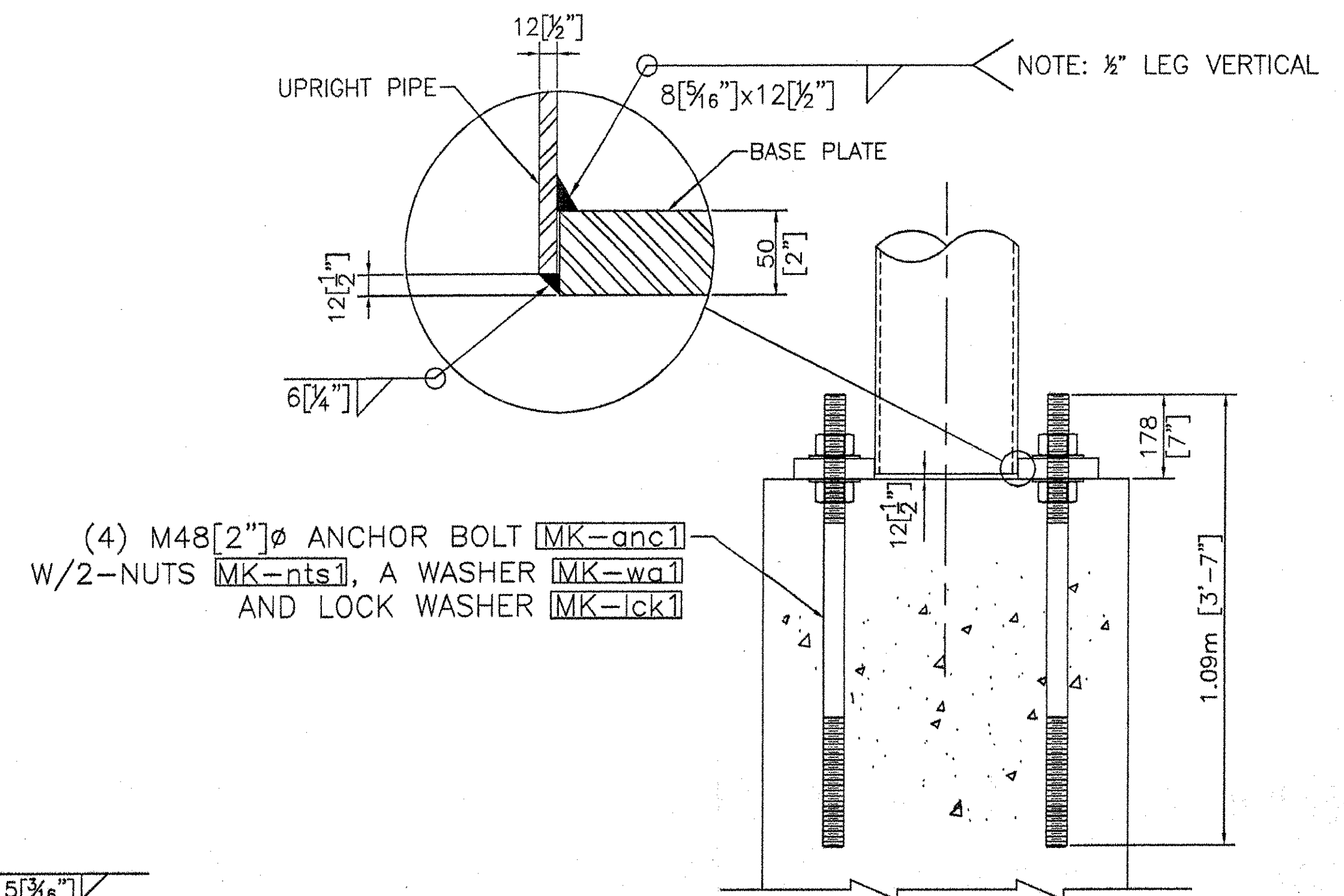
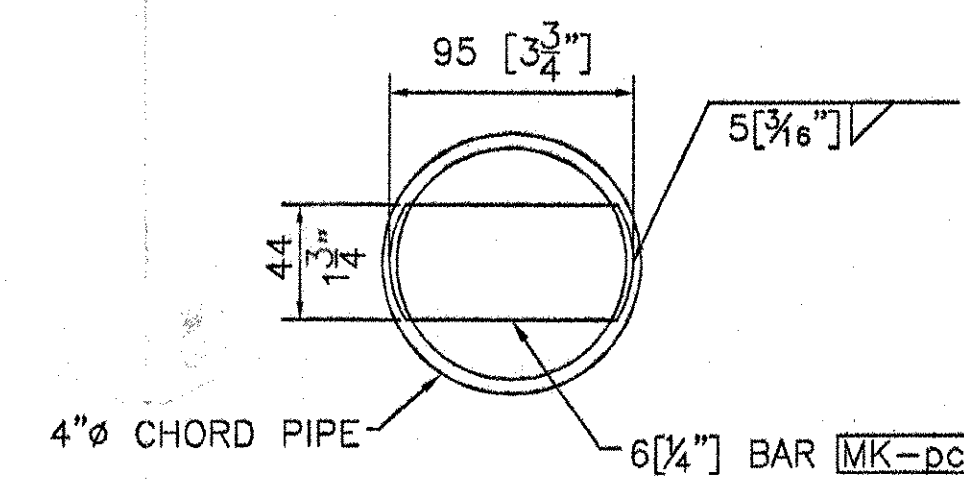


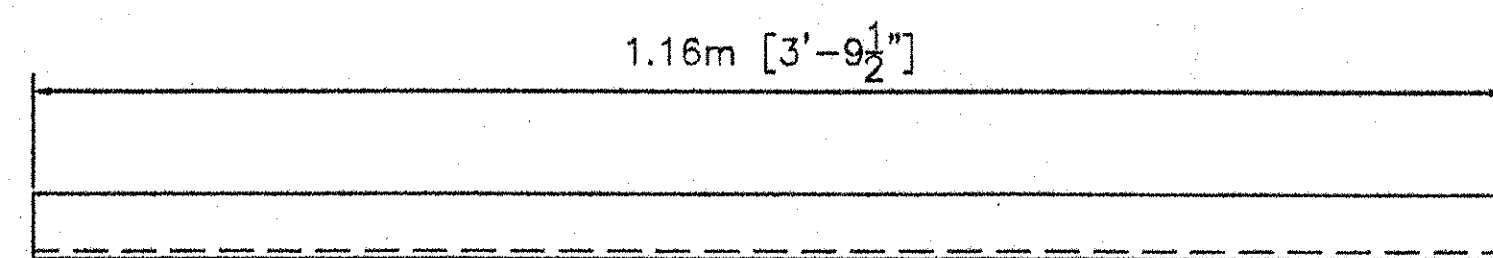
TRUSS CONNECTION DETAIL



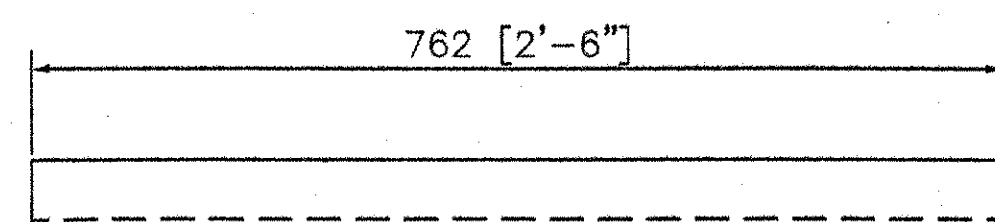
ANCHORAGE ASSEMBLY



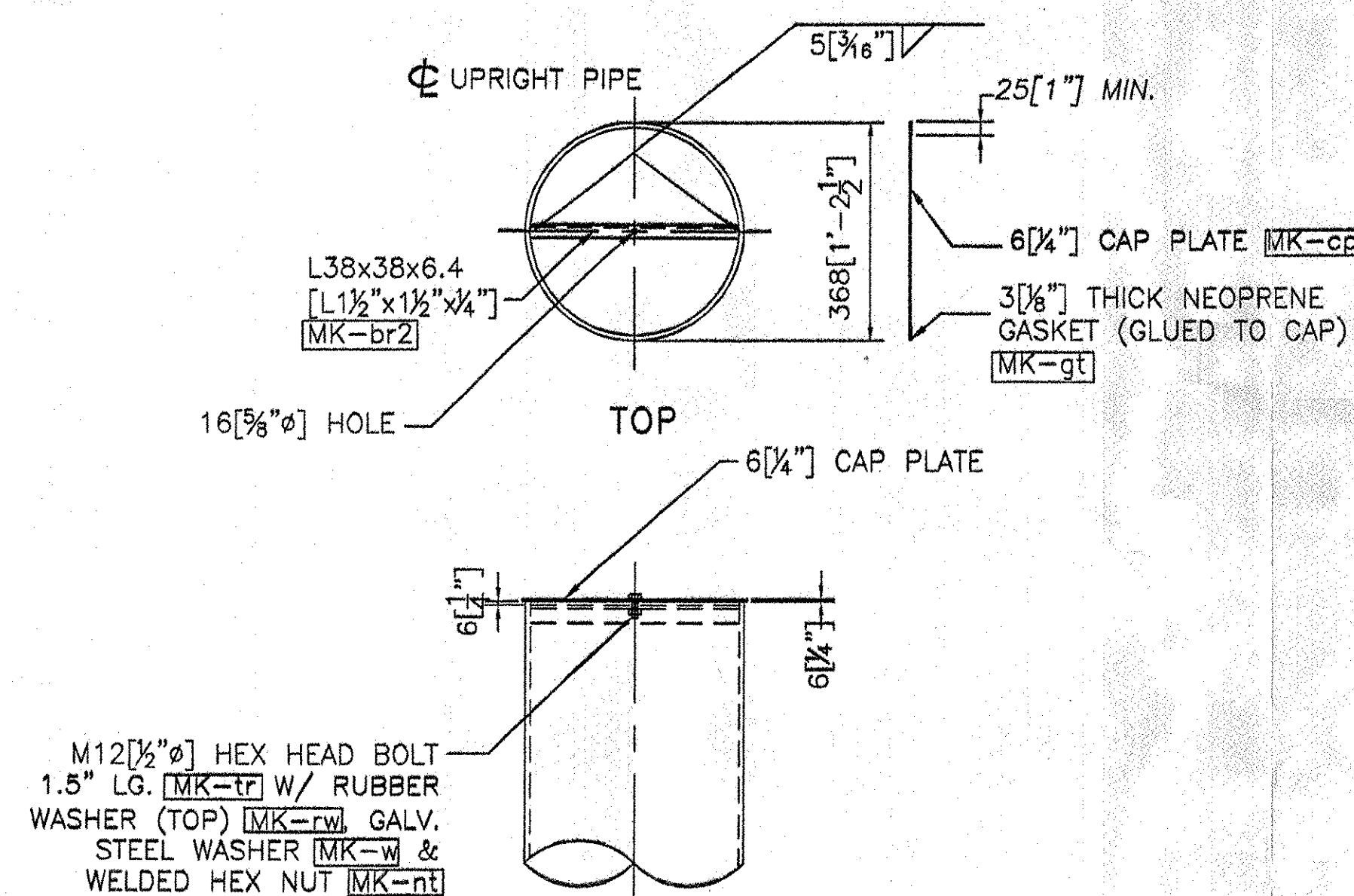
PLUG DETAIL
(EACH END OF TRUSS CHORD)



MK-ag1
L51x51x6.4
[L2x2x3/4]

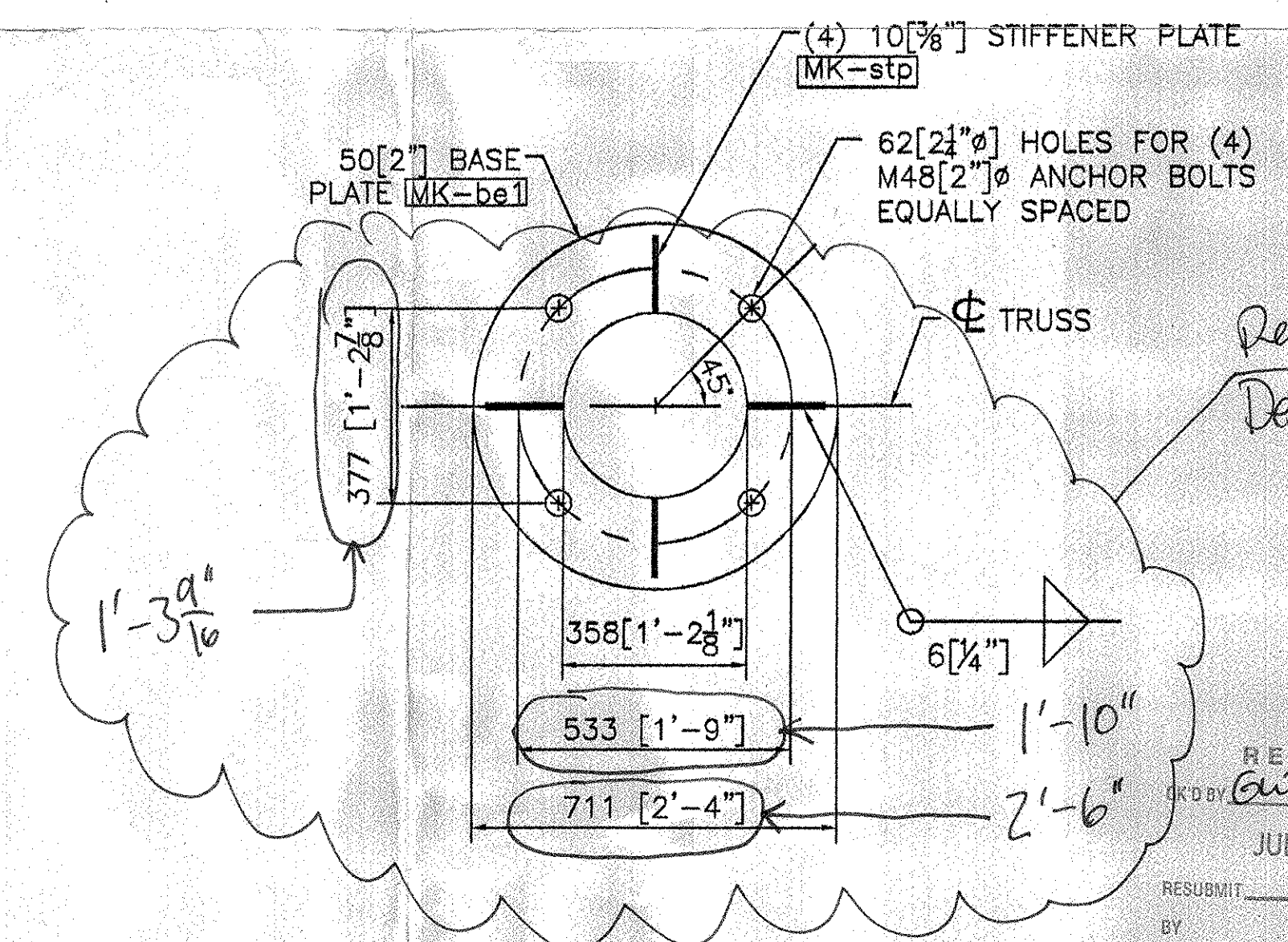


MK-ag2
L51x51x6.4
[L2x2x3/4]



UPRIGHT CAP DETAIL

ASSEMBLE CAP TO POST PRIOR TO SHIPPING.



BASE PLATE DETAIL

NOTE:
BASE PLATE SHALL BE STAMPED WITH THE VERTICAL POLE DIAMETER (VD.), HEIGHT (VHT.), YIELD STRENGTH (VYS.), GAUGE (VGE.), AND SAME FOR HORIZONTAL MEMBER (HD.), (HYS.), AND (HGE.).

ALL DIMENSIONS SHOWN ARE IN MILLIMETERS (mm) UNLESS OTHERWISE NOTED. ENGLISH CONVERSION SHOWN IN [] FOR REFERENCE ONLY.

REVISIONS		
No.	Remarks	Date
0	Initial submittal	

HIGHWAY SAFETY CORP.
GLASTONBURY, CT

TRI-CHORD SIGN STRUCTURE
STATE OF VERMONT
COUNTY OF CALEDONIA
MM 129.130 SB
PROJECT No. HES 091-3(42)
HES 093-1(10)

GENERAL CONTRACTOR
SUB CONTRACTOR F.R. LAFAYETTE

DRAWN: MHM
CHECKED: P. Radice
DATE: 5/23/07
SCALE: NTS
PROJECT REFERENCE NO.: 1587d
SIZE: D
REVISION: 0
SHEET NO.: 4 of 8