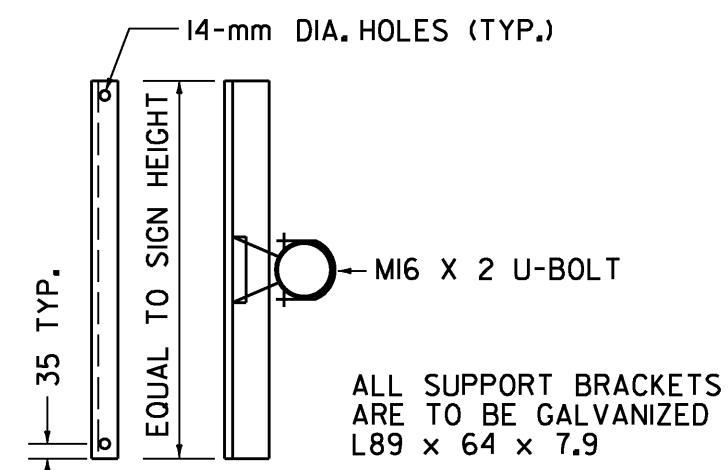
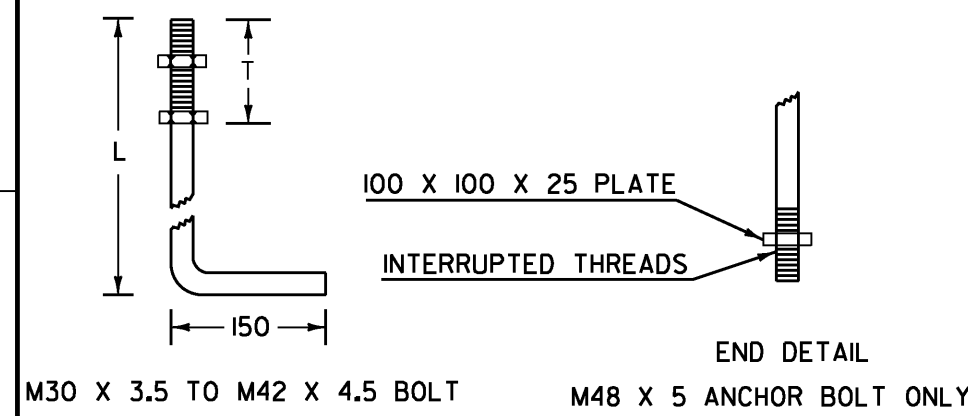


DETAIL A

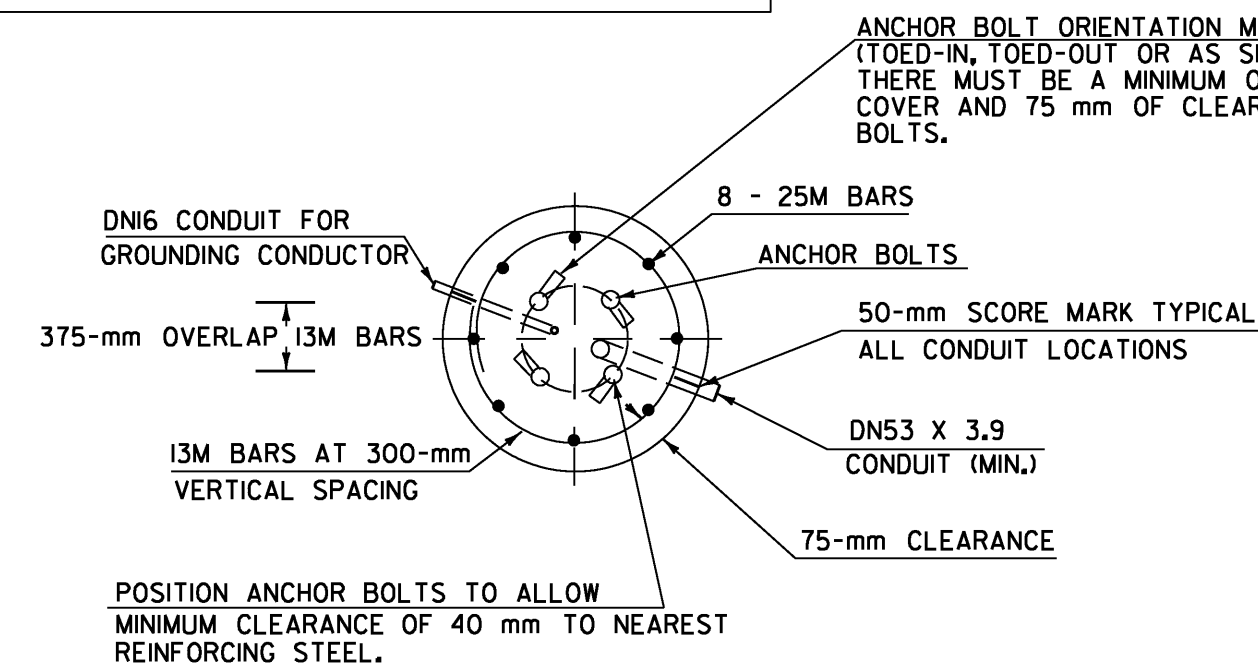


SIGN BRACKET DETAILS

ANCHOR BOLT DETAIL			
SIZE	L (mm)	T (mm)	
M30 X 3.5 X 1200	1050	200	
M36 X 4 X 1500	1350	230	
M42 X 4.5 X 2250	2100	230	
M48 X 5 X 2400	2400	230	



ANCHOR BOLT DETAIL



SECTION

OVERHEAD TRAFFIC SIGN BRIDGE FOOTING DETAIL

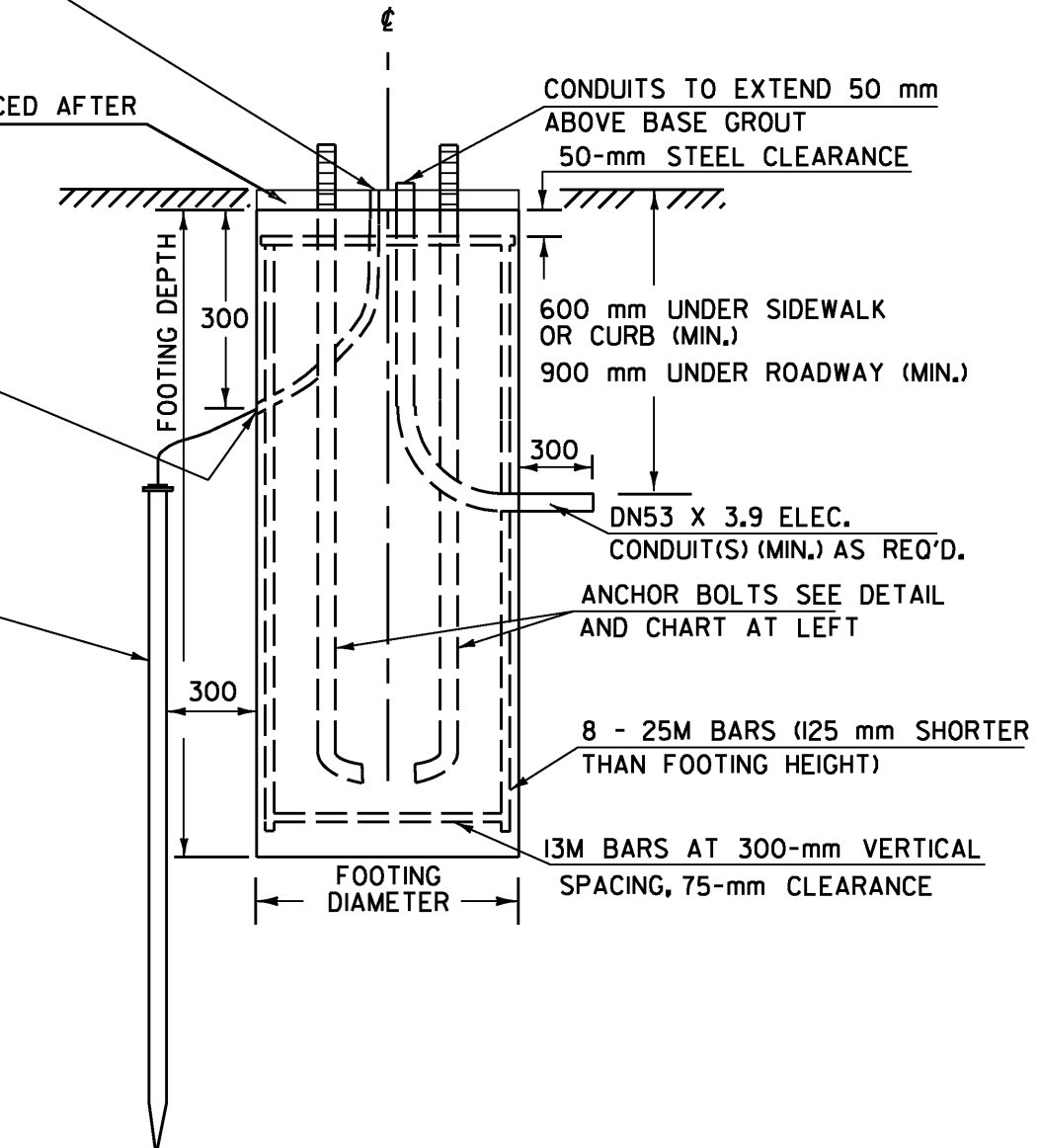
(SPREAD FOOTINGS OR PILES ARE OPTIONAL)

13.30 mm² SOFT DRAWN COPPER GROUNDING CONDUCTOR CONNECT TO GROUNDING LUG IN POLE

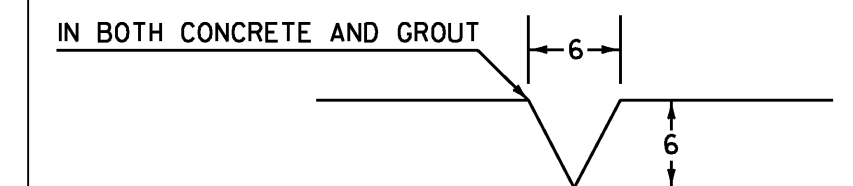
100-mm GROUT PLACED AFTER POLE IS PLUMBED

WEEP HOLE, INSTALL DN16 FLEXIBLE PLASTIC CONDUIT FOR 13.30-mm² AWG SOFT DRAWN COPPER GROUNDING CONDUCTOR, CONNECT TO GROUNDING ELECTRODE USING AN EXOTHERMIC WELD.

16 X 2400 MIN. COPPER CLAD GROUNDING ELECTRODE, SEE NOTE #1 ON THE CANTILEVER/OVERHEAD SIGN/SIGNAL SUPPORT NOTE SHEET.



ELEVATION



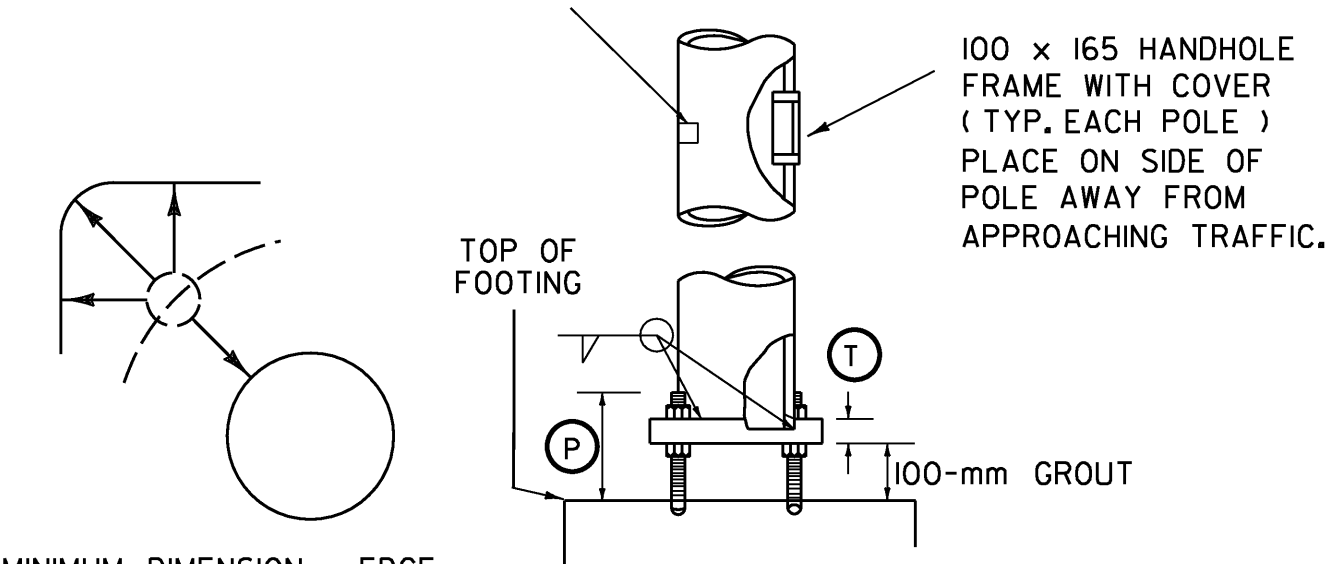
USED FOR CONDUIT LOCATION, SEE SECTION DETAIL AT LEFT

50-mm SCORE MARK DETAIL

NOTES:

1. SEE CANTILEVER / OVERHEAD SIGN / SIGNAL SUPPORTS NOTE SHEET FOR ADDITIONAL INFORMATION.
2. MANUFACTURER TO DETERMINE TYPE OF STRUCTURE REQUIRED.
3. MONOTUBES SHALL NOT BE USED FOR SIGNS OVER 3 m IN HEIGHT.
4. STREET LIGHTING IS OPTIONAL. SEE PLAN SHEETS OR SECTION.
5. MINIMUM CLEARANCE FROM SIGNS TO ROADWAY IS 5.2 m.

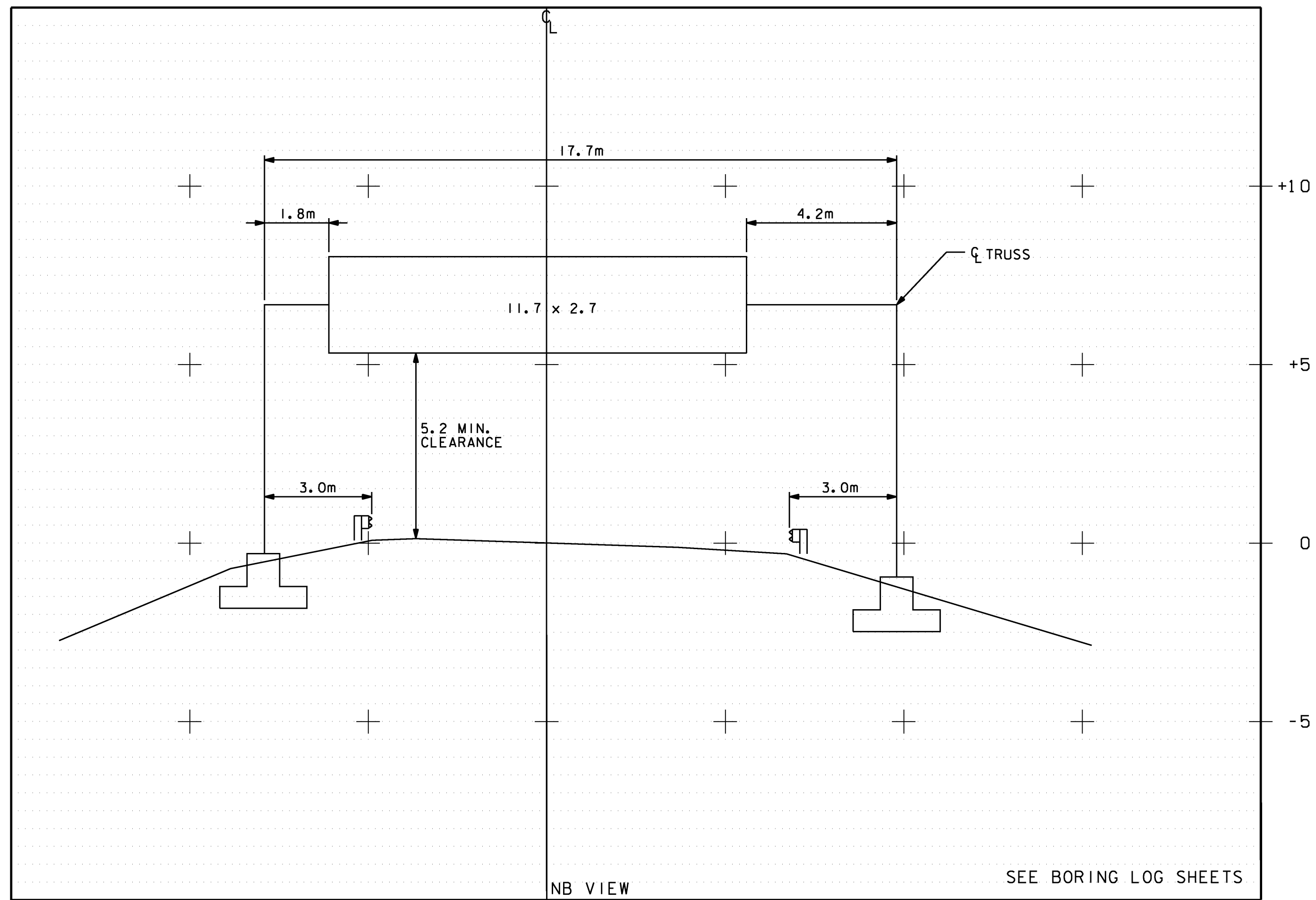
GROUND WIRES SHALL BE CONNECTED TO THE GROUNDING LUG INSIDE THE HANDHOLE ACCESS.



SEE DETAIL AT LEFT

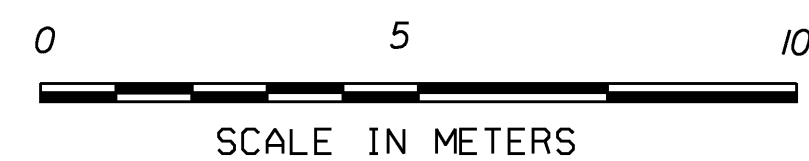
ALIGN POLE BASE 90° TO HORIZONTAL MEMBER(S)

POLE BASE AND BASE PLATE DETAIL



(SEE SHEET 91 FOR LOCATION PLAN)

OVERHEAD SIGN BRIDGE CROSS SECTION



NOTE: ALL DIMENSIONS ARE IN MILLIMETERS (mm) EXCEPT WHERE NOTED.

DATE	REVISIONS	BY

OVERHEAD TRAFFIC SIGN BRIDGE / FOOTING DETAIL SHEET #2

PREPARED BY _____ DATE _____
 CHECKED BY _____ DATE _____
 DESIGN SUPERVISOR _____ DATE _____
 PROJ.

M.M. 10.470 NB

TRAFFIC SHEET NO. _____ OF _____
 SHEET 127 OF 130 SHEETS



NOT TO SCALE