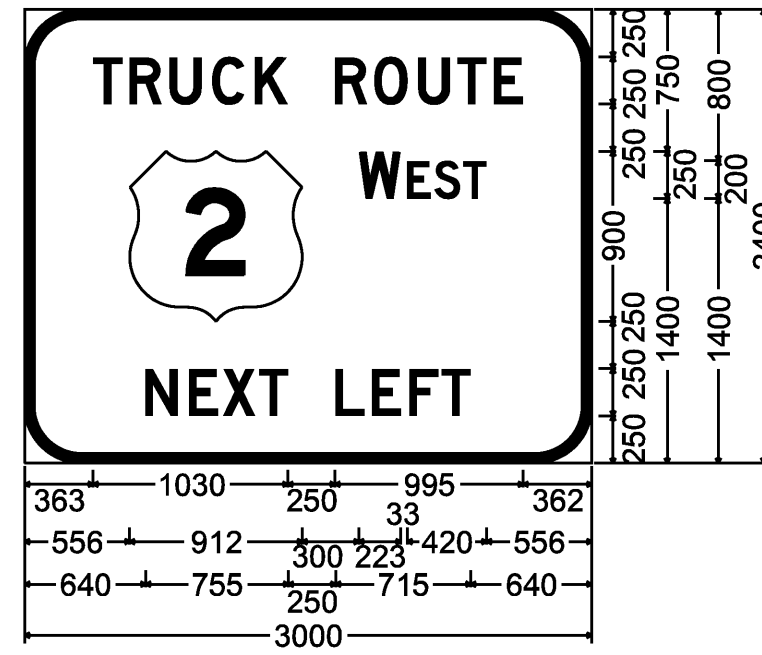


INT. # 1 RTE 18
M.M. 7.300 RT

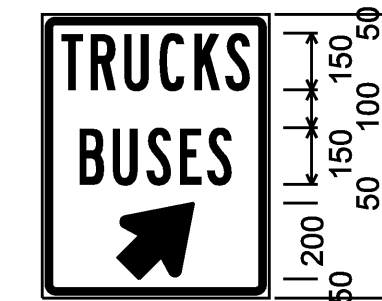


300mm Radius, 50mm Border, White on Green;
[TRUCK ROUTE] D 2K; [WEST] D 2K; [NEXT LEFT] D 2K;

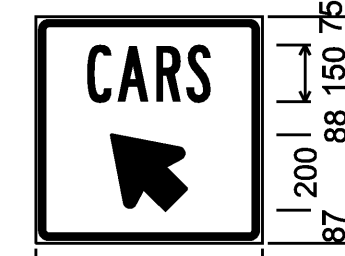
REST AREA



R7-8;
35mm Radius, 10mm Border, 10mm Indent, Green on White;
[RESERVED] C 2K 51% spacing;
[PARKING] C 2K 66% spacing;
Rounded Rectangle 13mm Radius Blue;



35mm Radius, 15mm Border, 10mm Indent, White on Blue;
[TRUCKS] B 2K;
[BUSES] B 2K;
Standard Arrow 243mm X 211mm 45°;



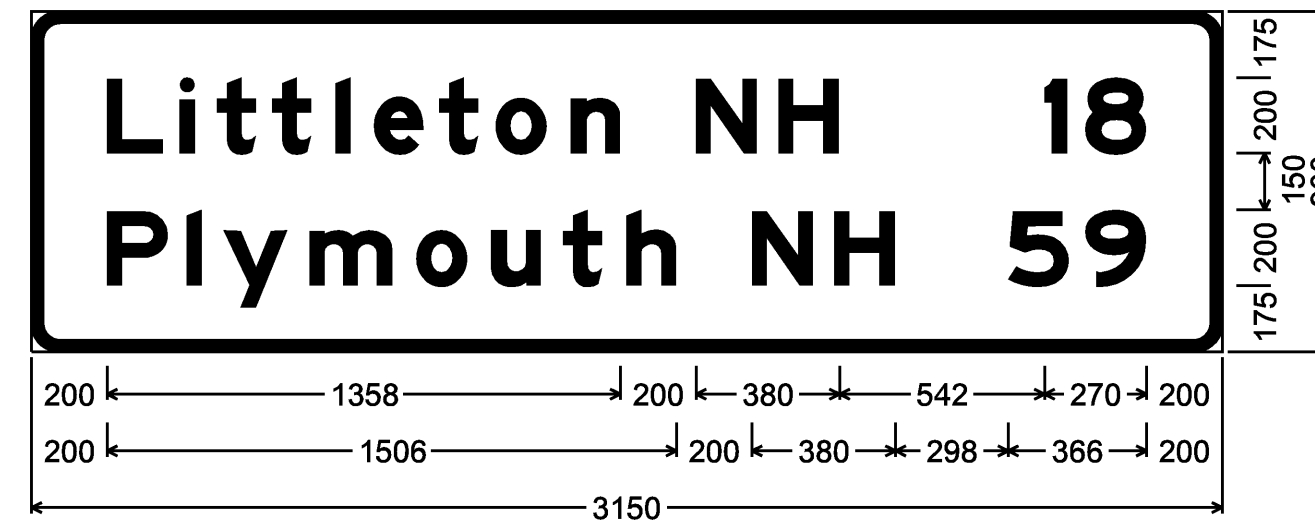
35mm Radius, 15mm Border, 10mm Indent, White on Blue;
[CARS] B 2K;
Standard Arrow 243mm X 211mm 135°;



VR-602;
40mm Radius, 15mm Border, 10mm Indent, Black on White;
[SAFETY] B 2K;
[BELTS] B 2K;
[REQUIRED] B 2K 26% spacing;

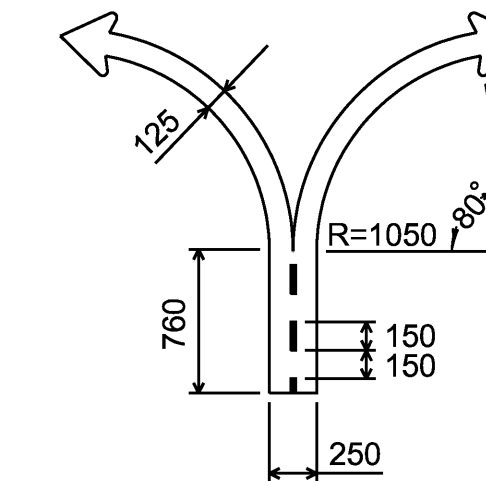


M.M. 10.468 SB

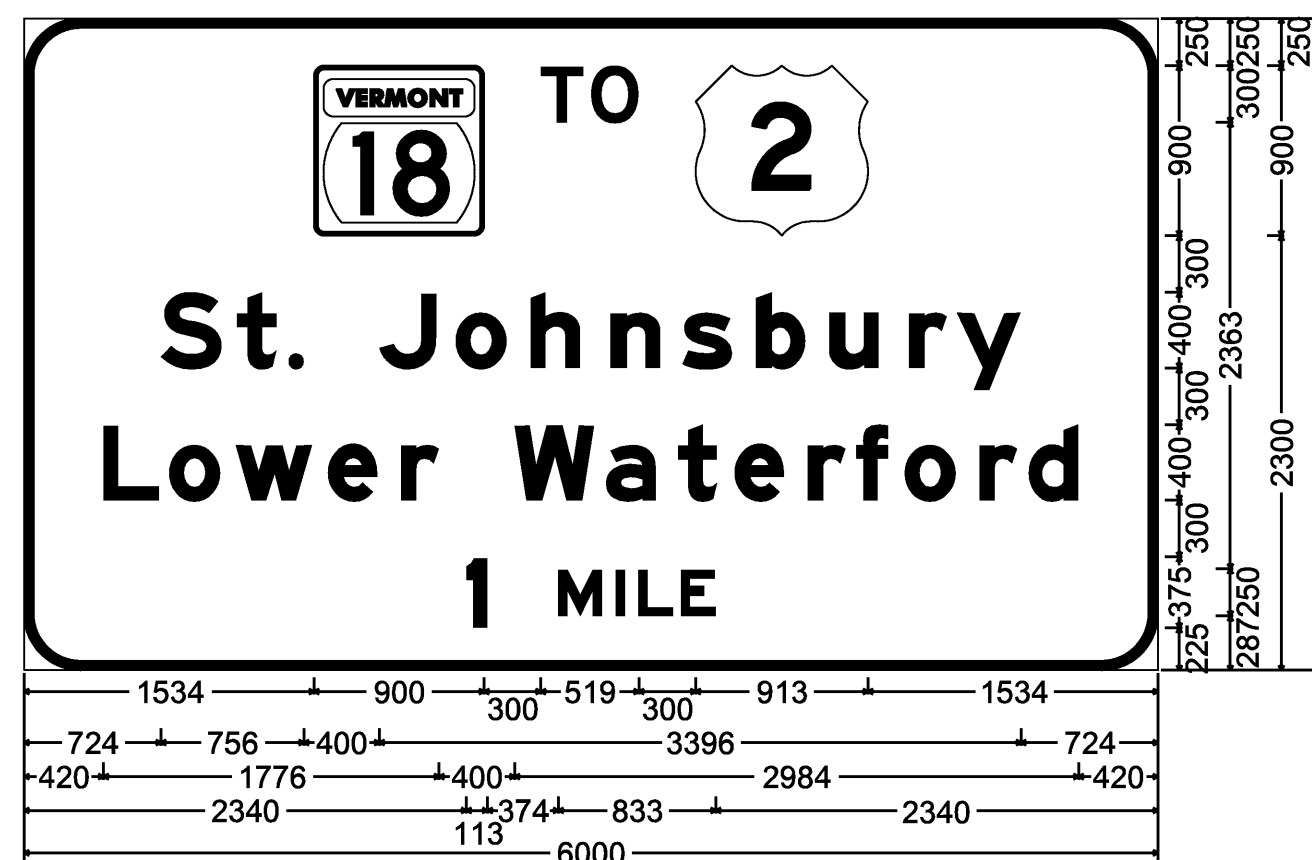


75mm Radius, 30mm Border, White on Green;
[Littleton NH] E Mod 2K; [Plymouth NH] E Mod 2K; [18] E Mod 2K;
[59] E Mod 2K;

OVERHEAD SIGN
ARROWS



M.M. 8.782 SB



300mm Radius, 50mm Border, White on Green;
[TO] E 2K; [St. Johnsbury] E Mod 2K; [Lower Waterford] E Mod 2K; [1 MILE] E Mod 2K;

SEE GENERAL SIGN DETAIL NOTES ON SHEET I15.

SIGN DETAIL
SHEET 5

PROJECT NAME:	WATERFORD
PROJECT NUMBER:	HES 093-1(10)
FILE NAME:	97211b-details.dgn
PROJECT LEADER:	CRB
DESIGNED BY:	PTS
CLD REF. NO.:	97-0211
PLOT DATE:	1/4/2007
DRAWN BY:	HJC
CHECKED BY:	DAM
SHEET	119 OF 130