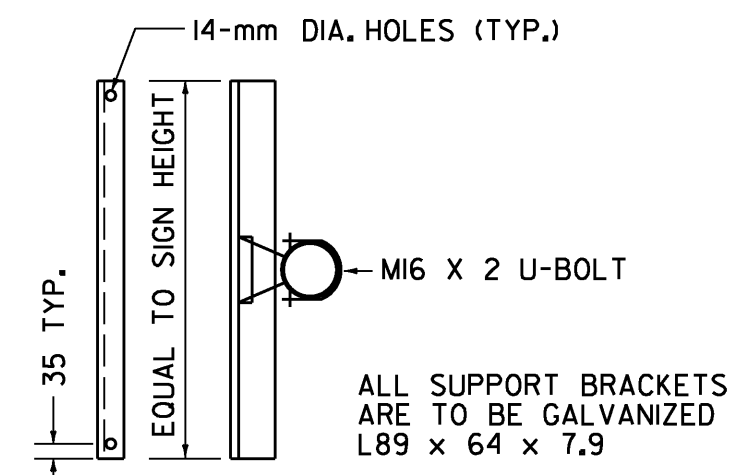
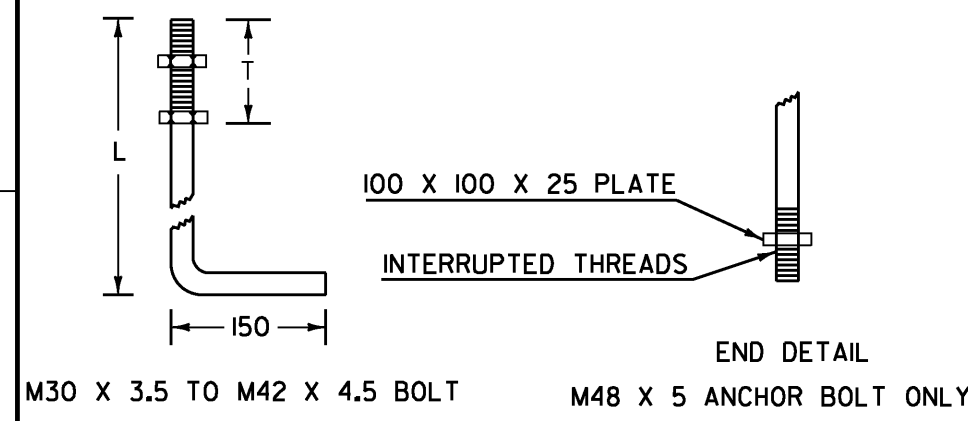


DETAIL A

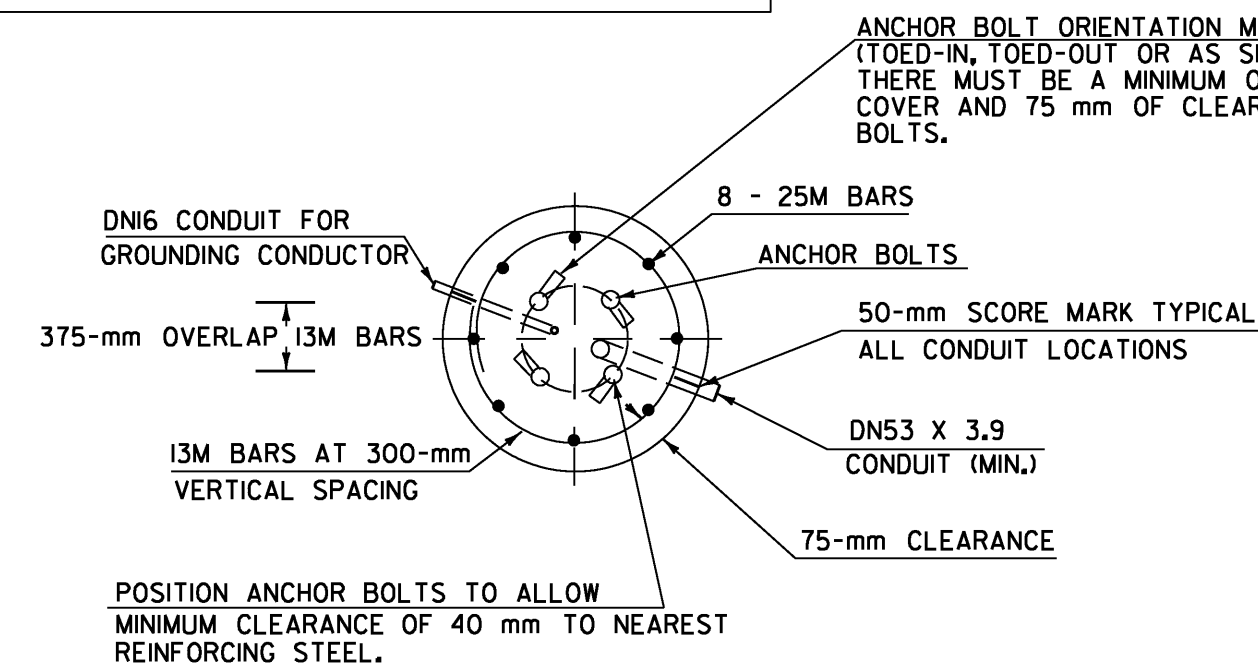


SIGN BRACKET DETAILS

ANCHOR BOLT DETAIL			
SIZE	L (mm)	T (mm)	
M30 x 3.5 x 1200	1050	200	
M36 x 4 x 1500	1350	230	
M42 x 4.5 x 2250	2100	230	
M48 x 5 x 2400	2400	230	



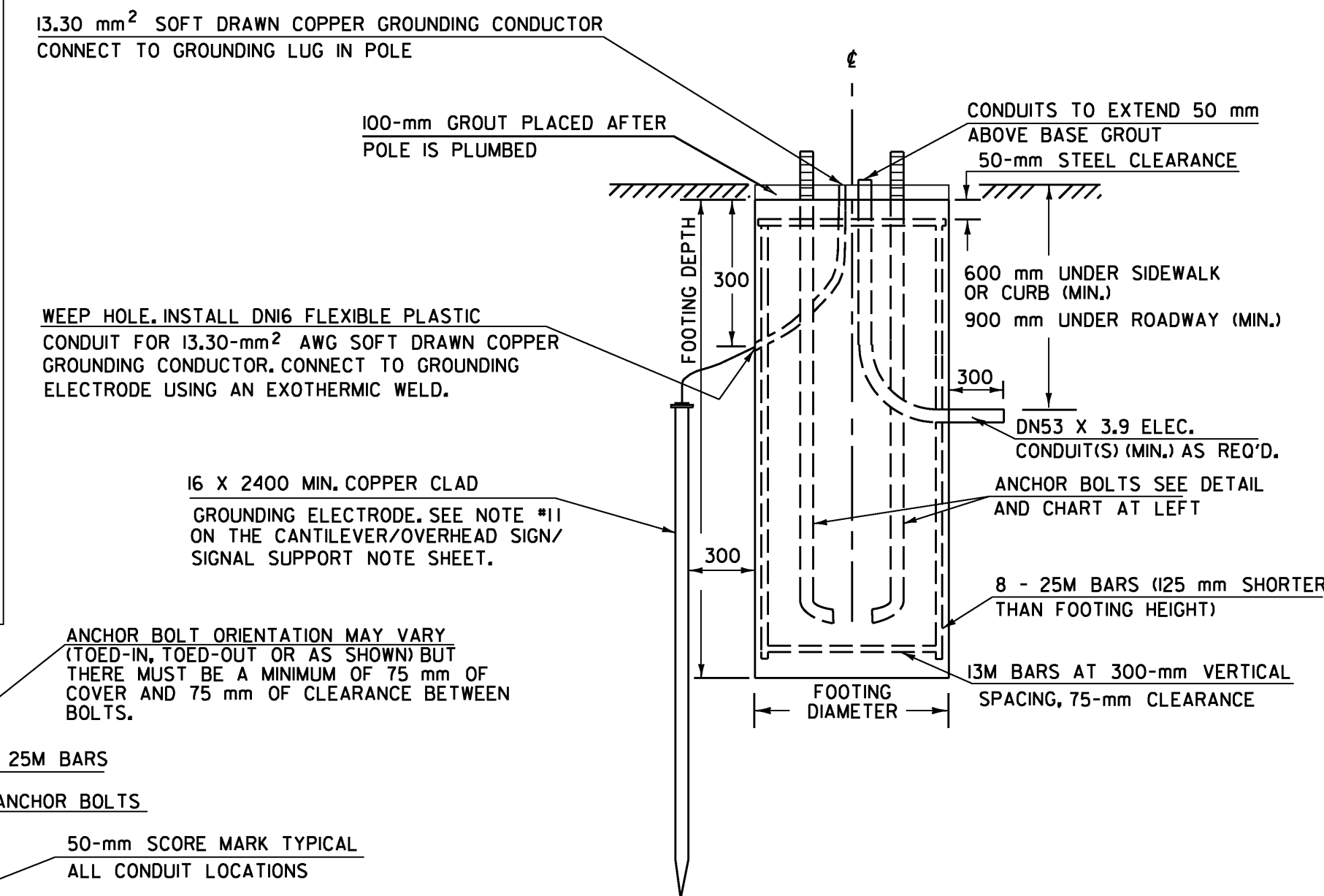
ANCHOR BOLT DETAIL



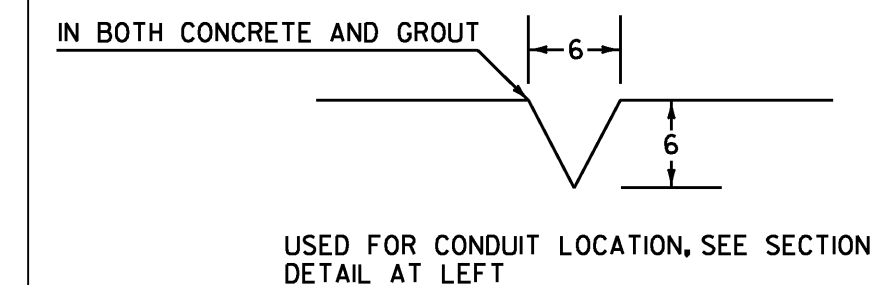
SECTION

OVERHEAD TRAFFIC SIGN BRIDGE FOOTING DETAIL

(SPREAD FOOTINGS OR PILES ARE OPTIONAL)



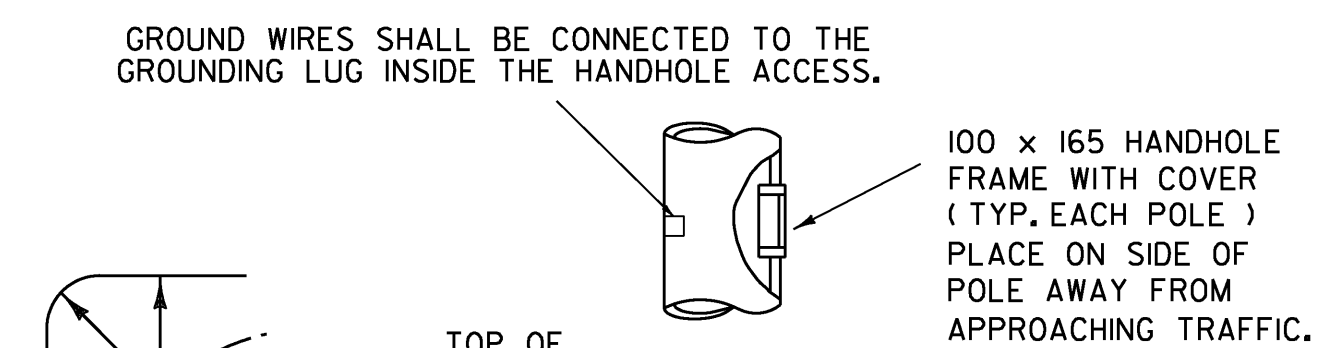
ELEVATION



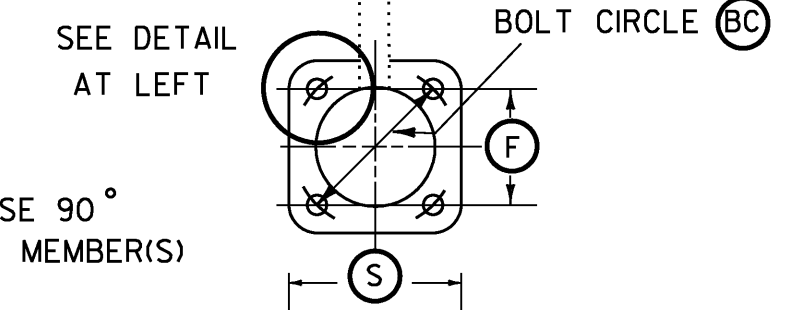
50-mm SCORE MARK DETAIL

NOTES:

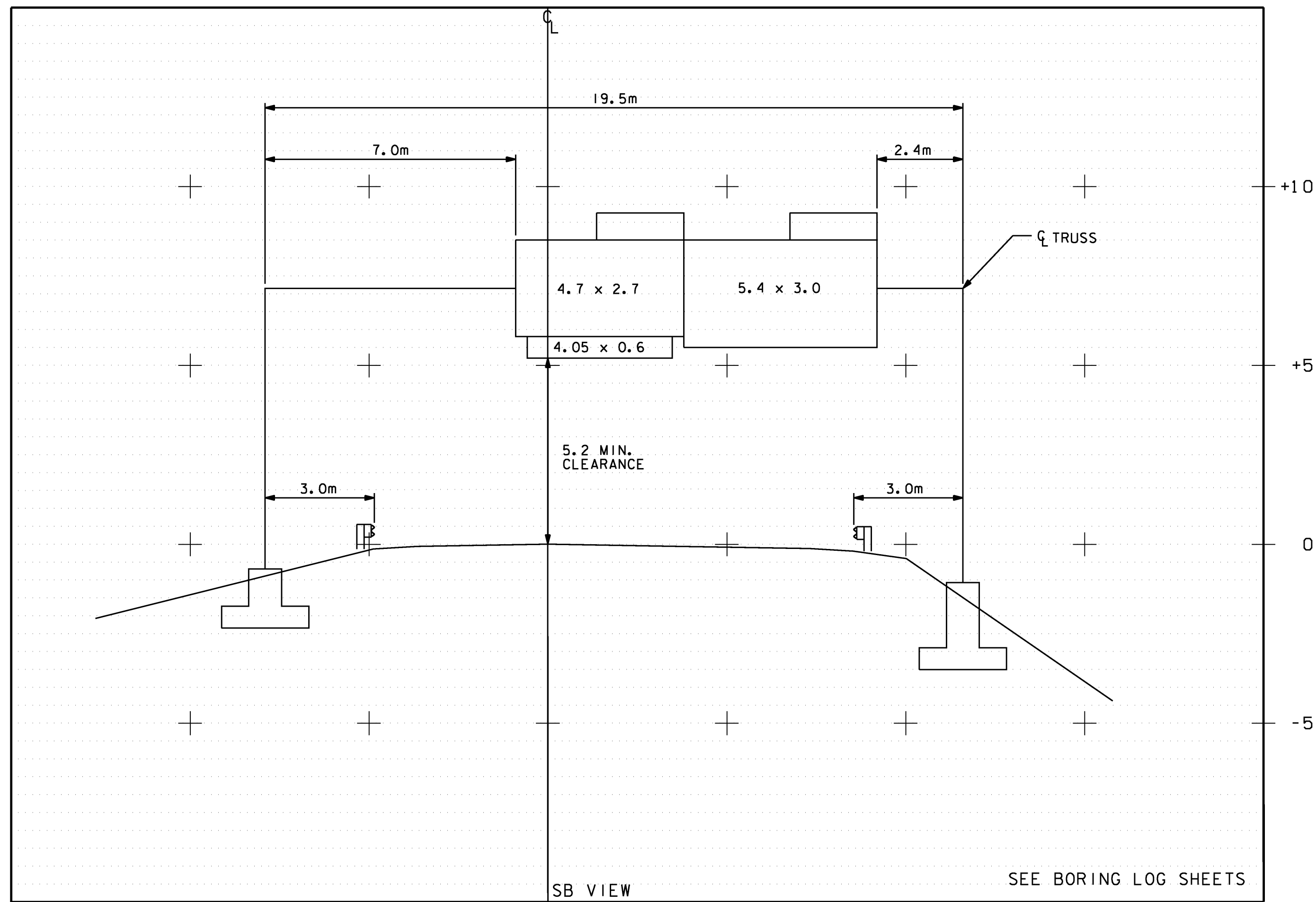
1. SEE CANTILEVER / OVERHEAD SIGN / SIGNAL SUPPORTS NOTE SHEET FOR ADDITIONAL INFORMATION.
2. MANUFACTURER TO DETERMINE TYPE OF STRUCTURE REQUIRED.
3. MONOTUBES SHALL NOT BE USED FOR SIGNS OVER 3 m IN HEIGHT.
4. STREET LIGHTING IS OPTIONAL. SEE PLAN SHEETS OR SECTION.
5. MINIMUM CLEARANCE FROM SIGNS TO ROADWAY IS 5.2 m.



MINIMUM DIMENSION - EDGE OF BOLT HOLE TO EDGE OF BASE PLATE OR FACE OF UPRIGHT = ANCHOR BOLT DIA.



POLE BASE AND BASE PLATE DETAIL

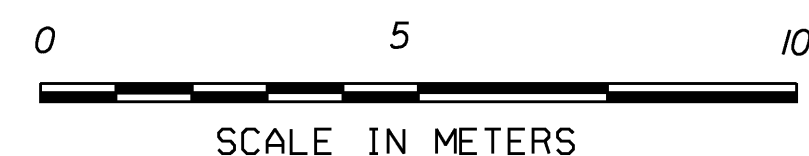


SB VIEW

SEE BORING LOG SHEETS

(SEE SHEET 18 FOR LOCATION PLAN)

OVERHEAD SIGN BRIDGE CROSS SECTION



SCALE IN METERS

NOTE: ALL DIMENSIONS ARE IN MILLIMETERS (mm) EXCEPT WHERE NOTED.

DATE	REVISIONS	BY

OVERHEAD TRAFFIC SIGN BRIDGE / FOOTING DETAIL SHEET

PREPARED BY _____ DATE _____
 CHECKED BY _____ DATE _____
 DESIGN SUPERVISOR _____ DATE _____
 PROJ. **M.M. 129.130 SB**
 TRAFFIC SHEET NO. _____ OF _____
 SHEET 78 OF 130 SHEETS



NOT TO SCALE

972/traf-overhead.dgn

/traf/forms/cantilvr.dgn
 ovhdss.i
 PLOTTED: 1/4/2007