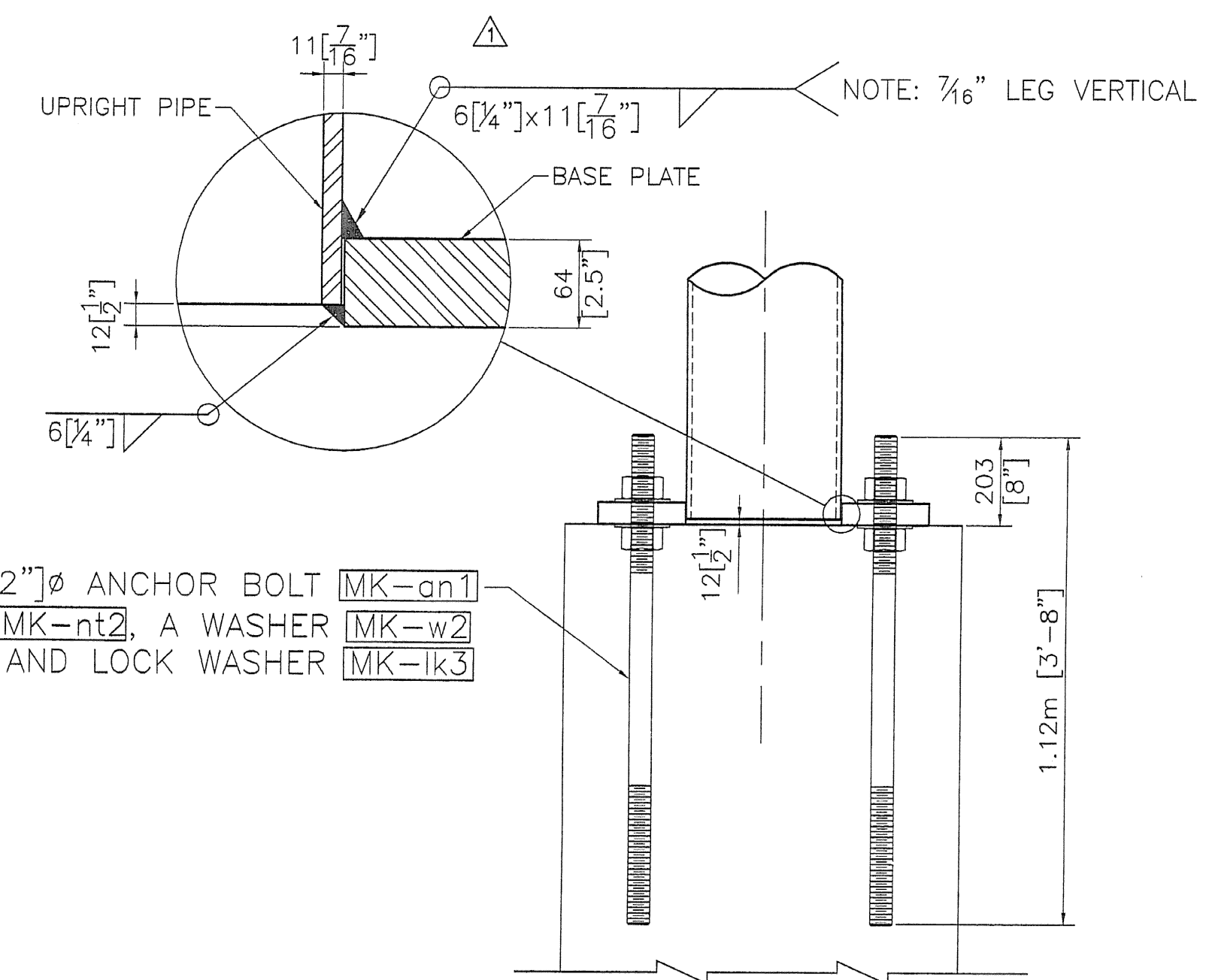
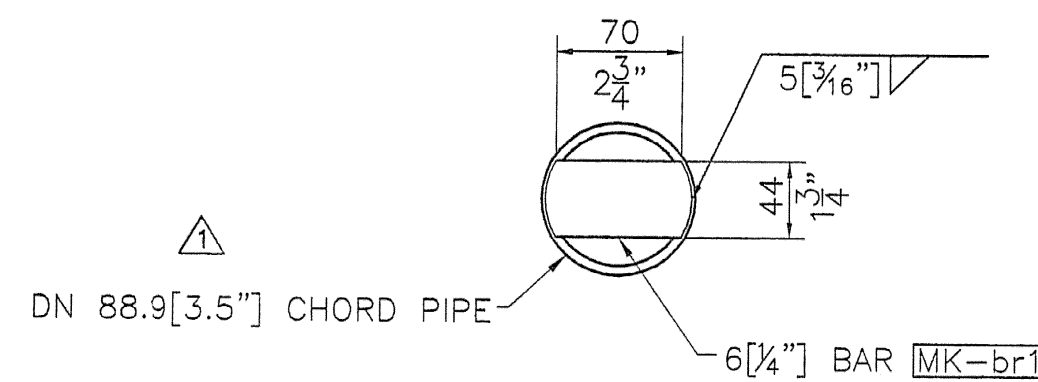


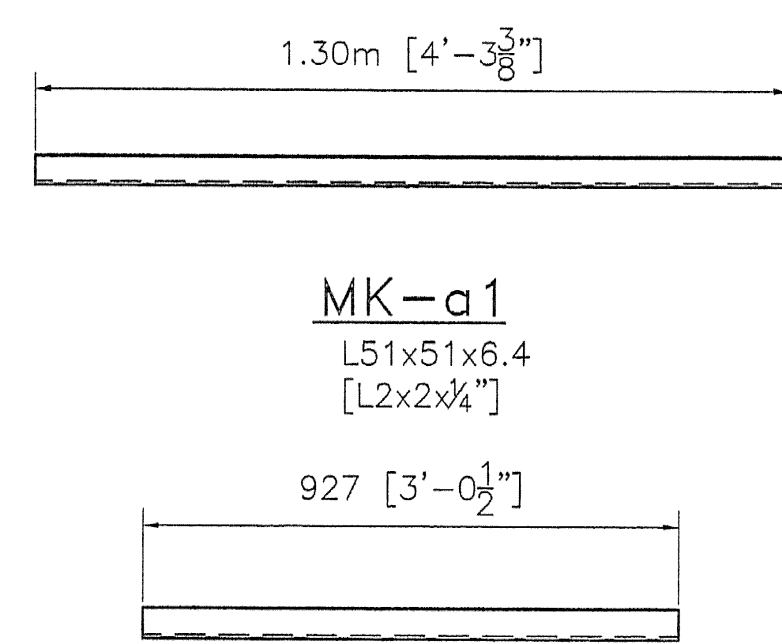
TRUSS CONNECTION DETAIL



ANCHORAGE ASSEMBLY

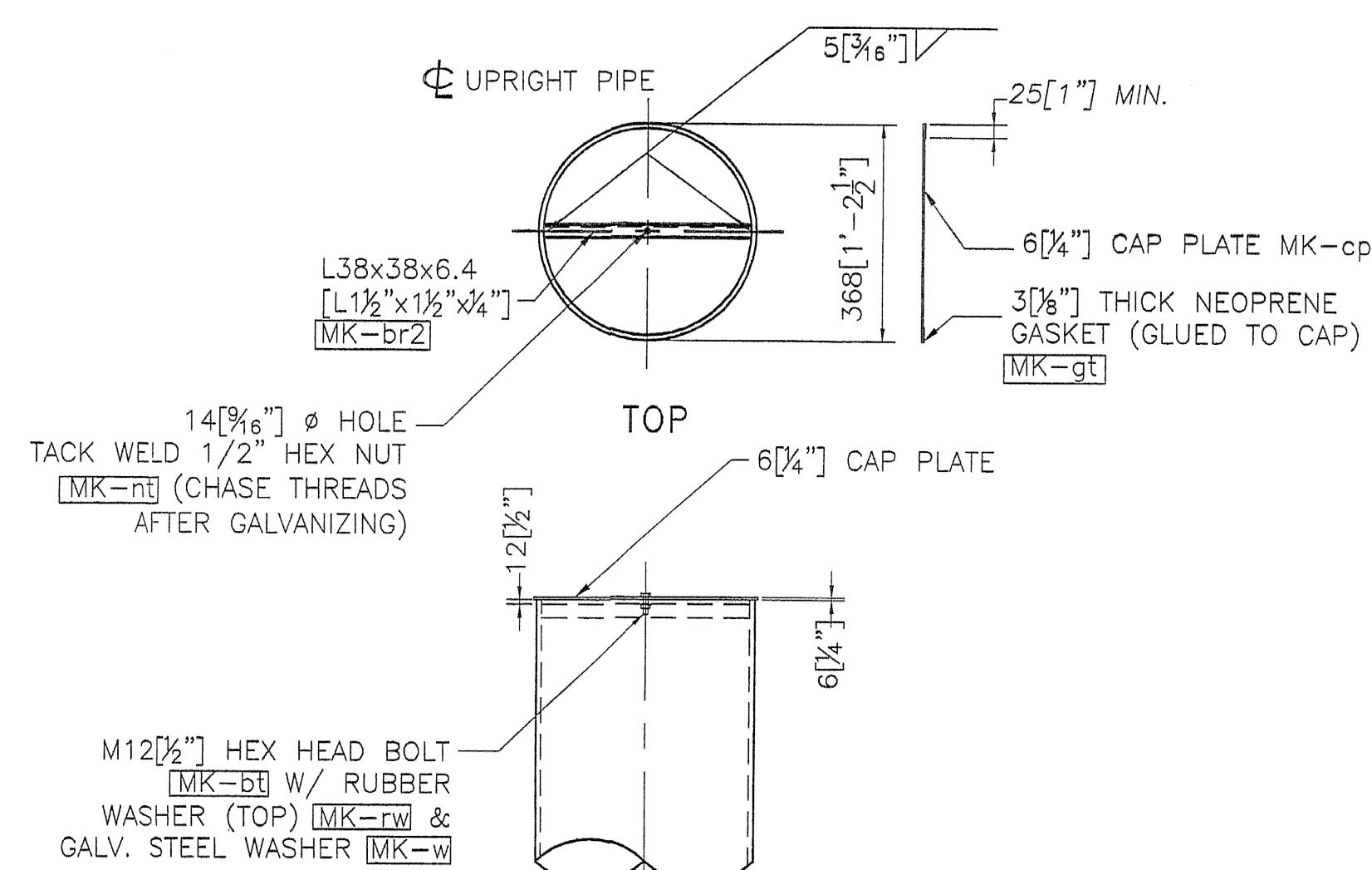


PLUG DETAIL  
(EACH END OF TRUSS CHORD)



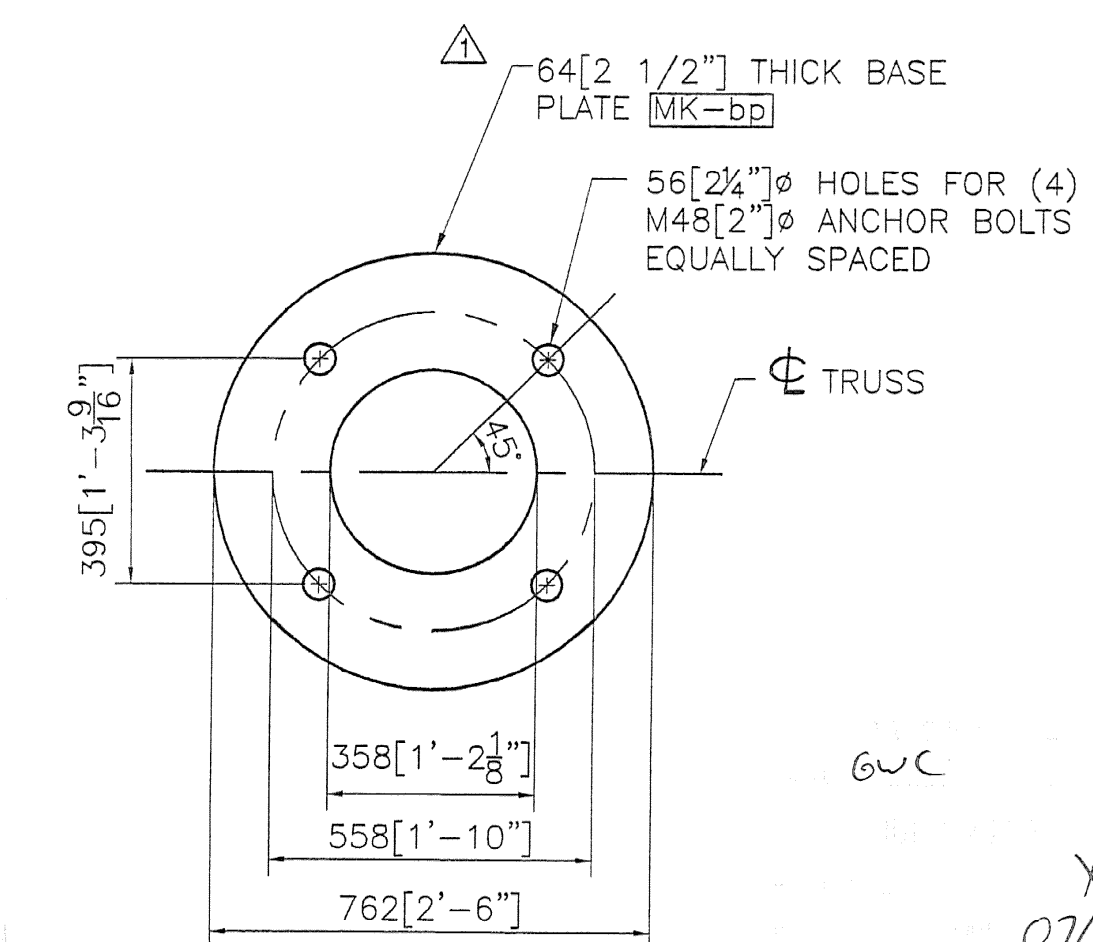
MK-a1  
L51x51x6.4  
[L2x2x1/4"]

MK-a2  
L51x51x6.4  
[L2x2x1/4"]



UPRIGHT CAP DETAIL

ASSEMBLE CAP TO POST PRIOR TO SHIPPING.



BASE PLATE DETAIL

NOTE:  
BASE PLATE SHALL BE STAMPED WITH THE VERTICAL POLE DIAMETER (VD.), HEIGHT (VHT.), YIELD STRENGTH (VYS.), GAUGE (VGE.), AND SAME FOR HORIZONTAL MEMBER (HD.), (HYS.), AND (HGE.).

ALL DIMENSIONS SHOWN ARE IN MILLIMETERS (mm) UNLESS OTHERWISE NOTED. ENGLISH CONVERSION SHOWN IN [ ] FOR REFERENCE ONLY.

REVISIONS		
No.	Remarks	Date
0	Initial submittal	
1	Second submittal	6/22/07



**HIGHWAY SAFETY CORP.**  
GLASTONBURY, CT

TRI-CHORD SIGN STRUCTURE  
STATE OF VERMONT  
COUNTY OF CALEDONIA  
INTERSTATE RTE. 91 STA.128.70 SB  
PROJECT No. AC IM 091-2(73)

GENERAL CONTRACTOR  
SUB CONTRACTOR F.R. LAFAYETTE

DRAWN: MHM  
CHECKED: P. Radice  
DATE: 3/23/07  
SCALE: NTS  
HSC REFERENCE NO.: 1587a  
REVISION: 1  
SHEET NO.: 4 of 8