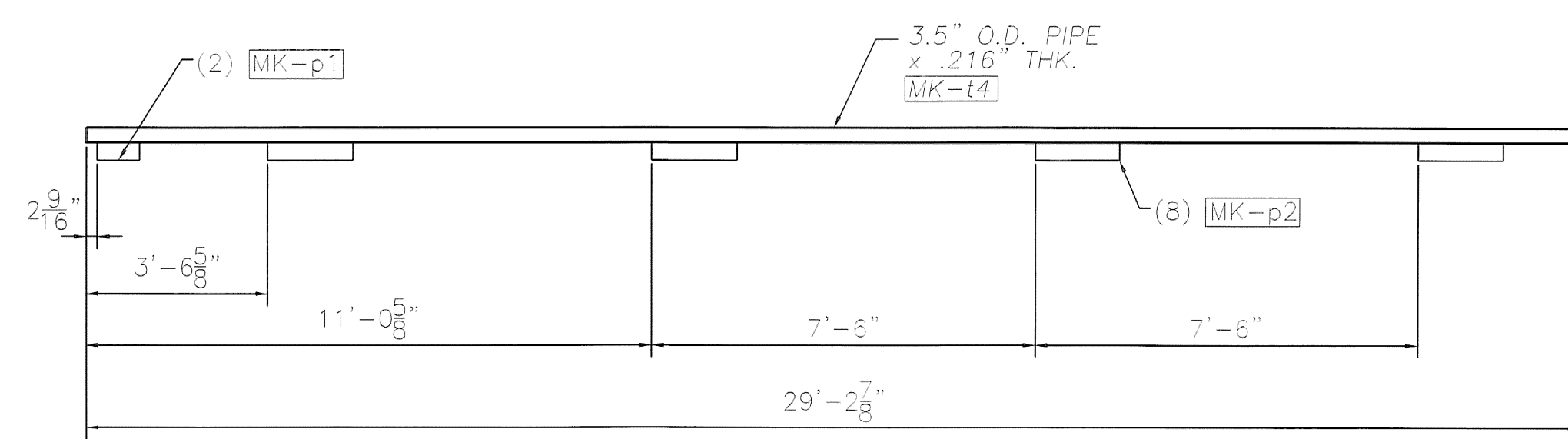
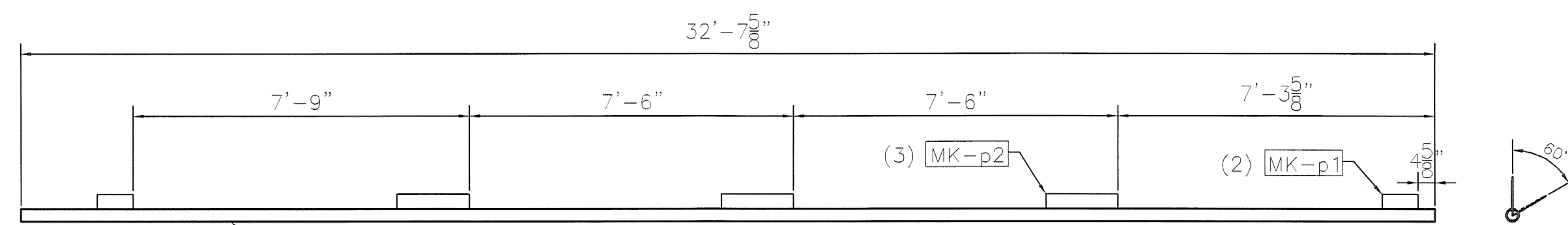


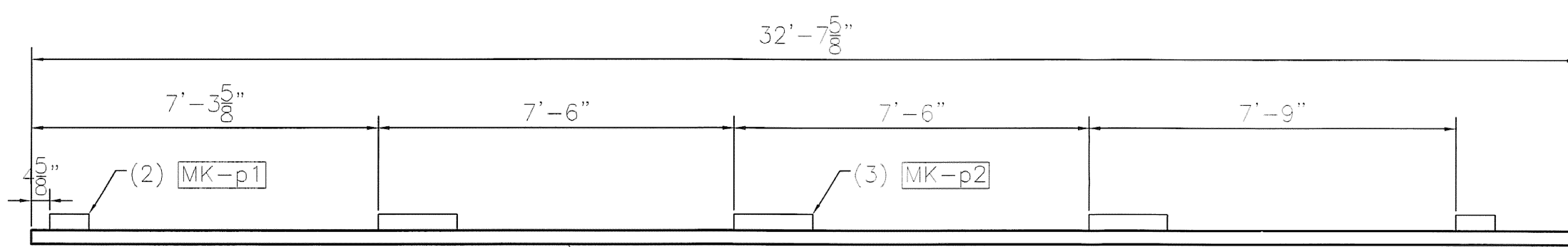
MK-RA1



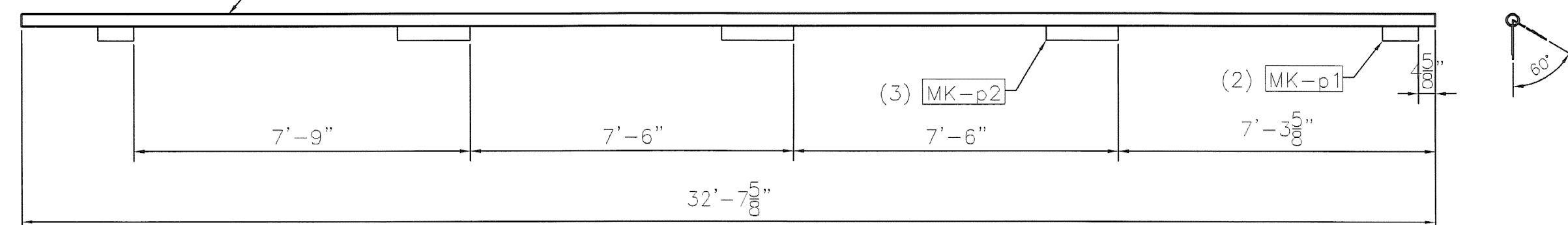
MK-RA4



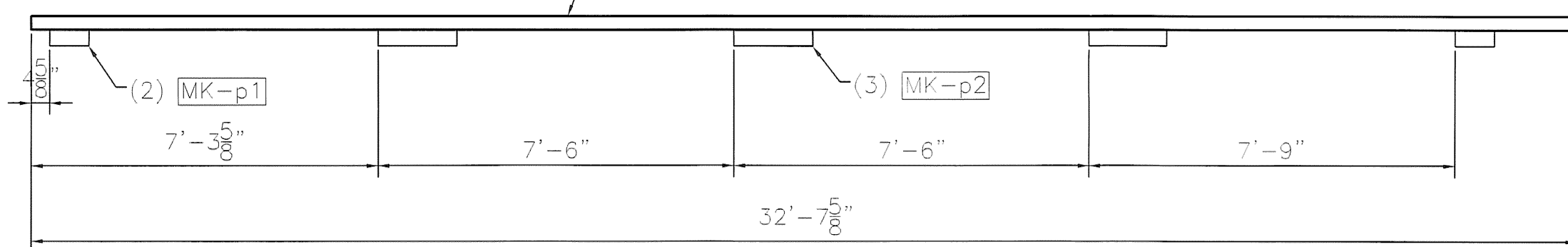
MK-RA2



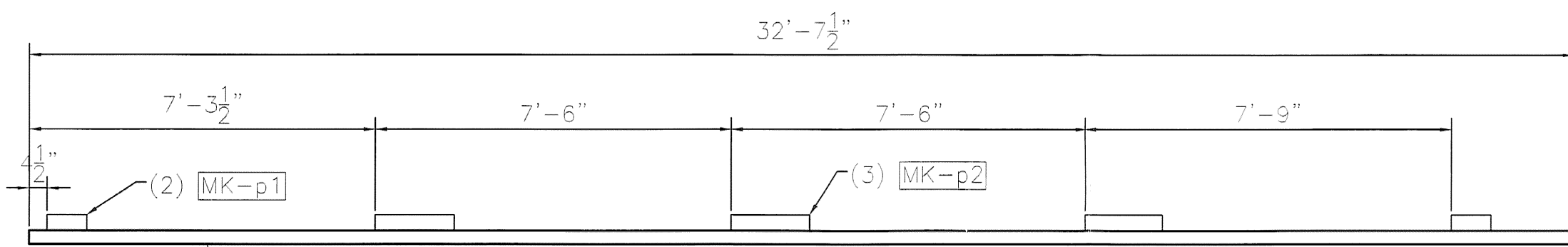
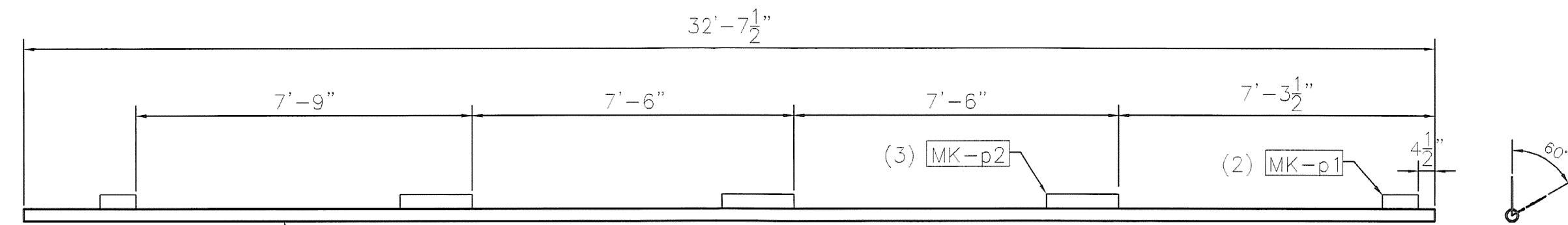
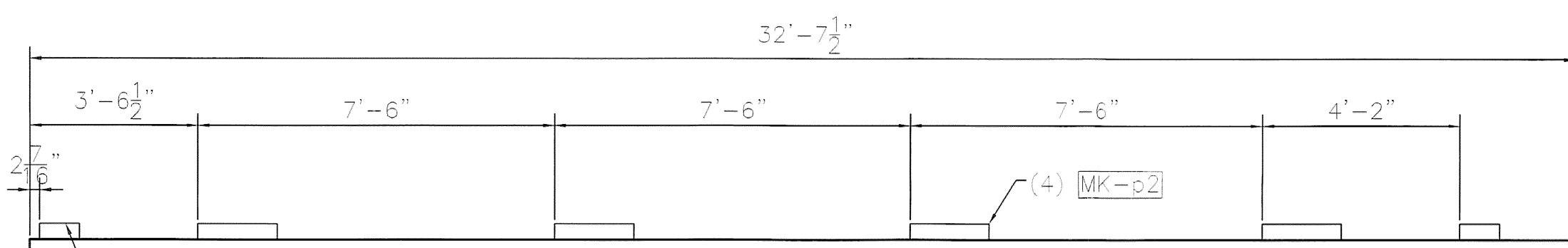
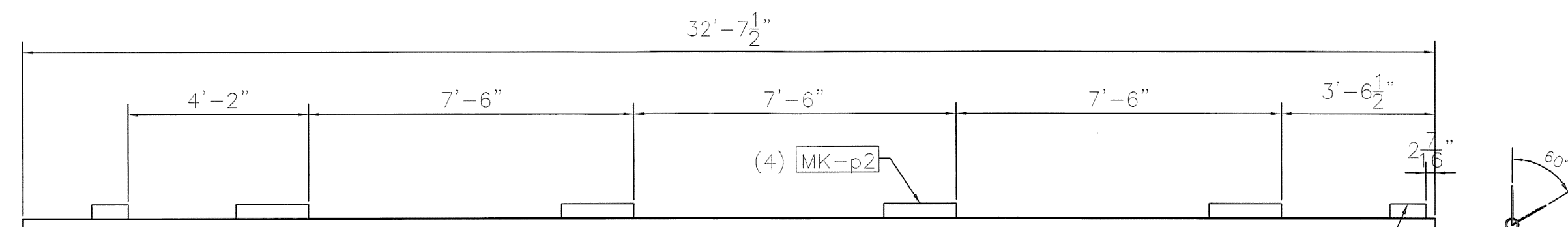
MK-RA5



MK-RA3



MK-RA6



GWL
R-T
X
06/14/07
6163
ASCC
QUALITY CONTROL
REGISTERED PROFESSIONAL

REVISIONS		
No.	Remarks	Date
0	Initial submittal	

HIGHWAY SAFETY CORP.
GLASTONBURY, CT

TRI-CHORD SIGN STRUCTURE
STATE OF VERMONT
COUNTY OF CALEDONIA
INTERSTATE RTE. 91 STA.128.70 SB
PROJECT No. AC IM 091-2(73)

DESIGNED BY: MHM
DATE: 3/23/07
SCALE: NTS
SHEET NO.: 5 of 8

GENERAL CONTRACTOR: F.R. LAFAYETTE