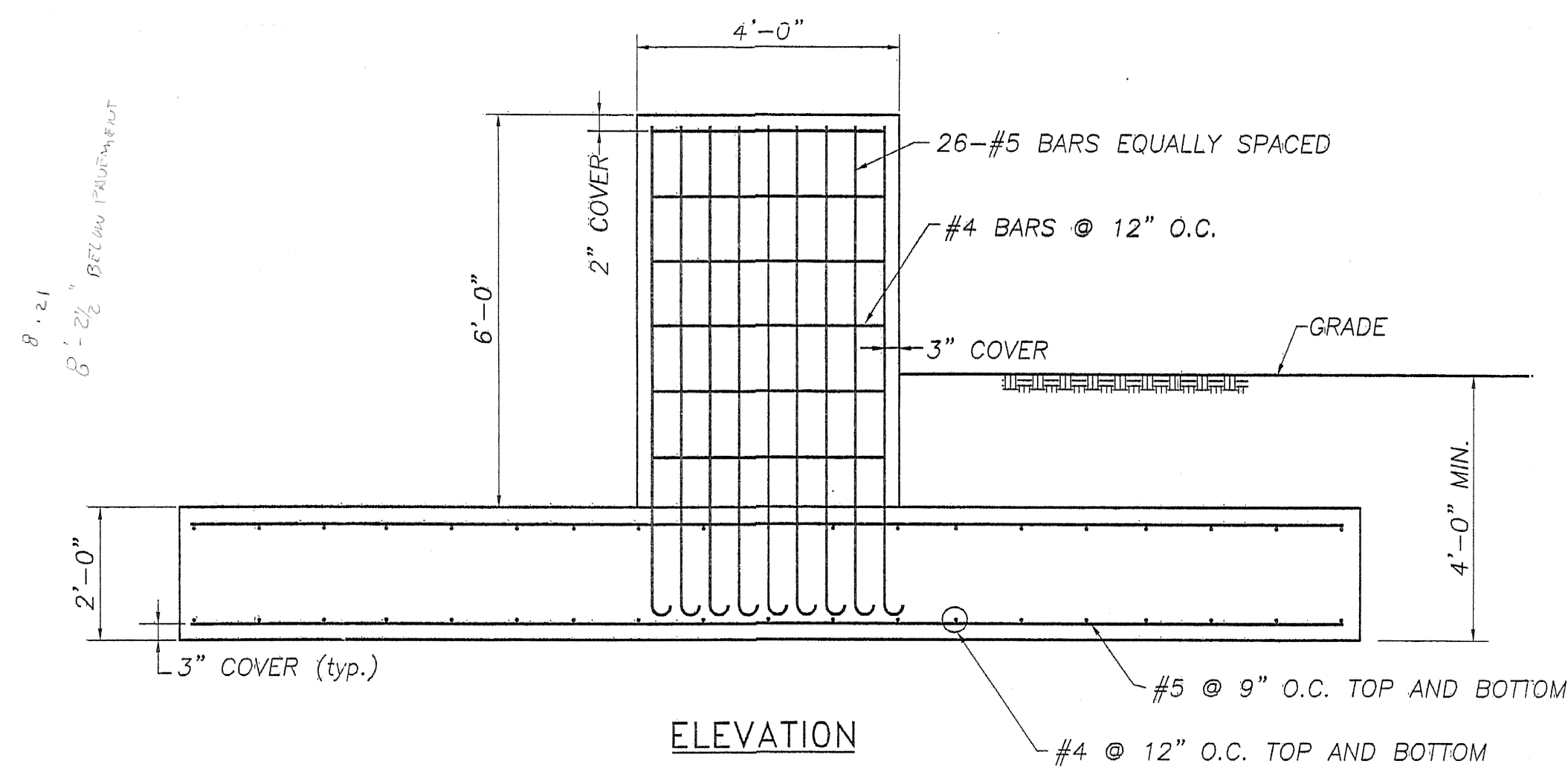


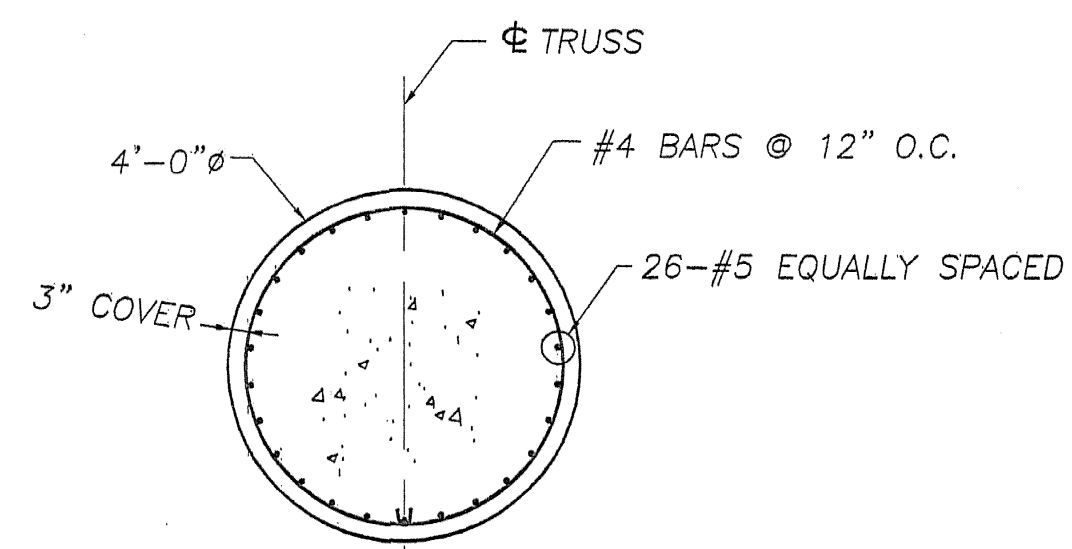
PLAN

REBAR LIST

REBAR	PCS. REQD.	LENGTH
#4	14	9'-4"
#4	76	12'-6"
#5	72	17'-6"
#5 (HOOK ONE END)	52	8'-6"



ELEVATION



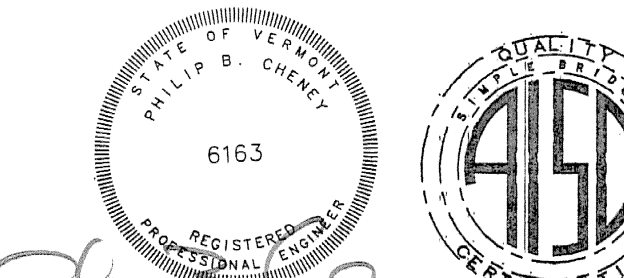
PLAN (STEM)

REVISIONS		
No.	Remarks	Date
0	Initial submittal	
1	Second submittal	6/22/07

NEWEST

18' X 13'
STEM 4'
26 #5 BARS

cal
X
07/13/07



HIGHWAY SAFETY CORP.
GLASTONBURY, CT

TRI-CHORD SIGN STRUCTURE
STATE OF VERMONT
COUNTY OF CALEDONIA
INTERSTATE RTE. 91 STA. 128.70 SB
PROJECT No. AC IM 091-2(73)

DRWN: MHM
CHKD: P. Radice
DATE: 3/23/07
SCALE: N.T.S.
HSG REFERENCE NO.: 1587a
SHEET NO.: 8 of 8

GENERAL CONTRACTOR: F.R. LAFAYETTE