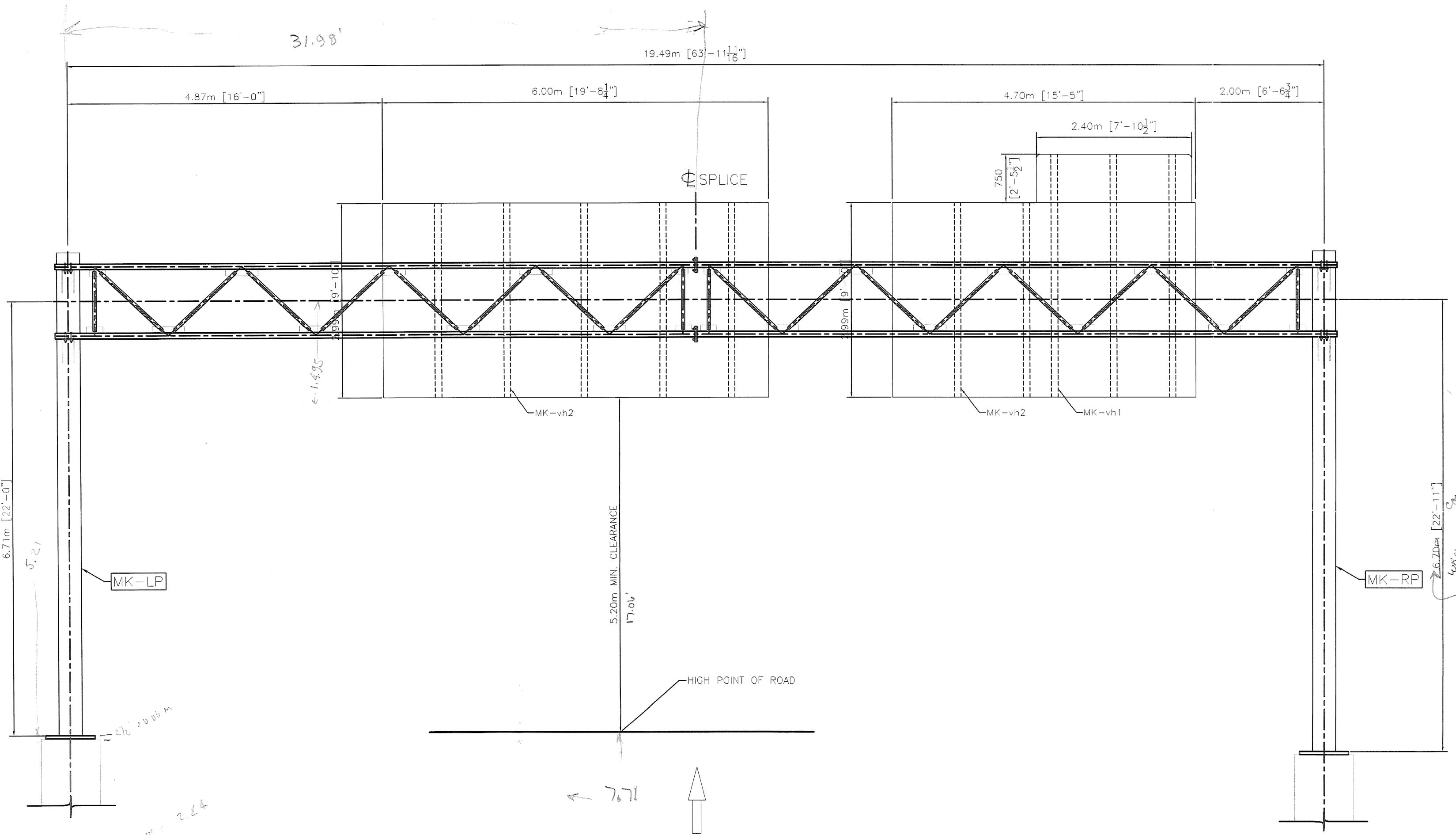


(A) SECTION

SIGN PANEL (typ.) BY OTHERS

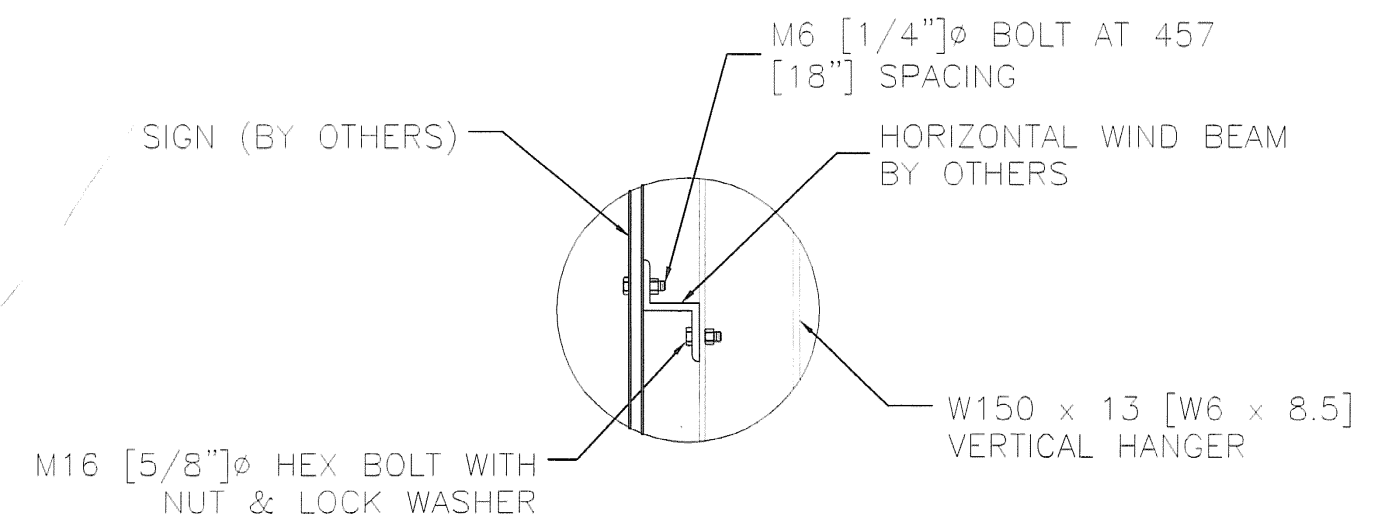


ELEVATION

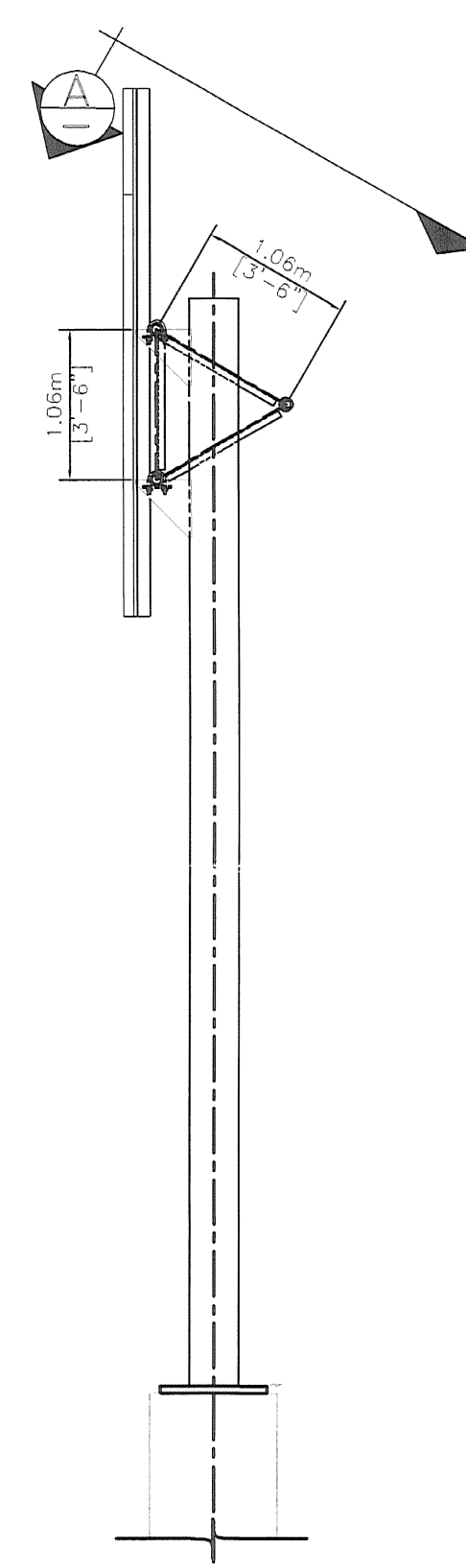
SB I-91 STA.128.70

LOOKING AT FACE OF SIGN
(OUT OF PLANE CHORDS NOT SHOWN FOR CLARITY)

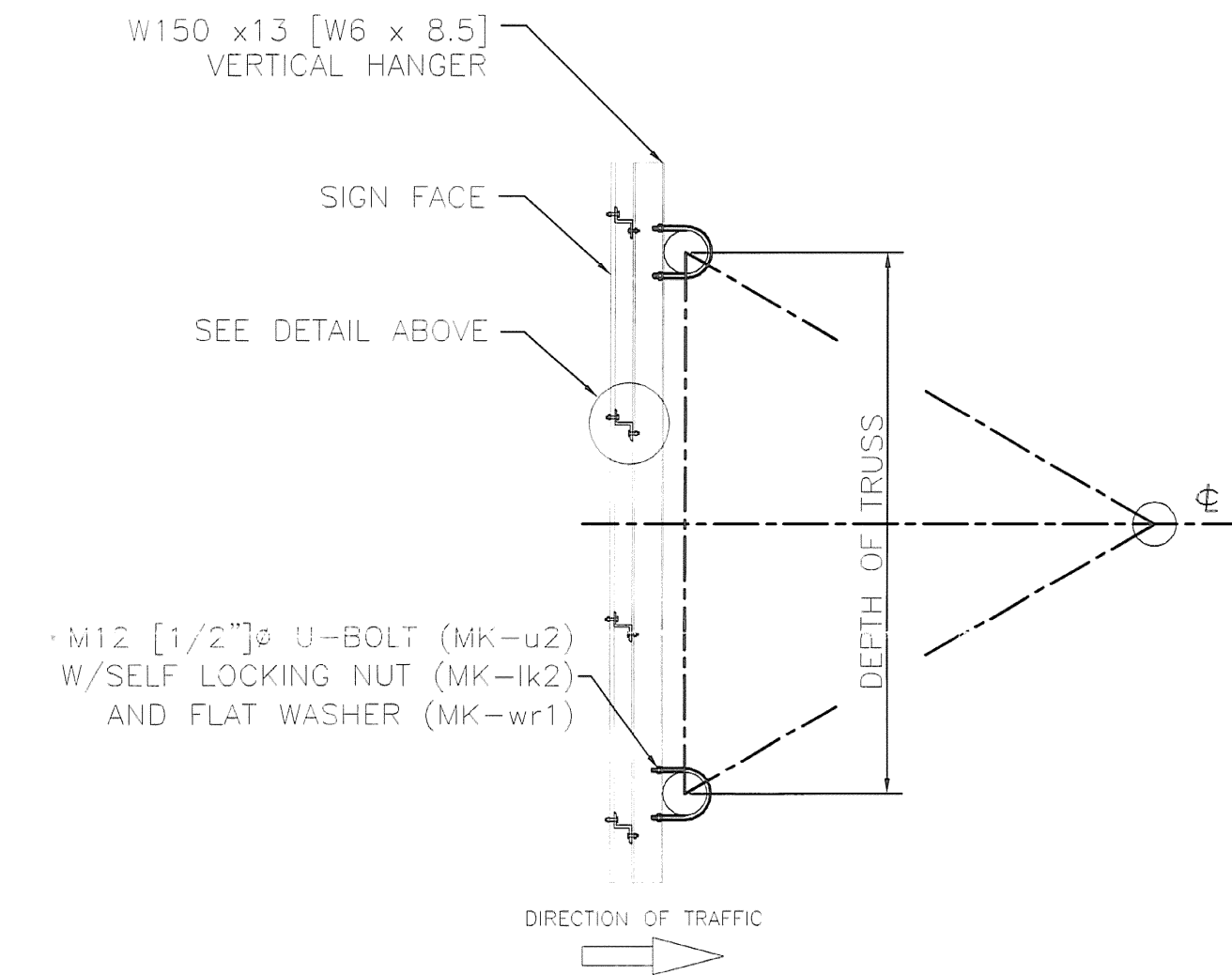
FOOTING ELEVATION IS ASSUMED.
CONTRACTOR TO VERIFY ELEVATIONS
BEFORE FABRICATION.



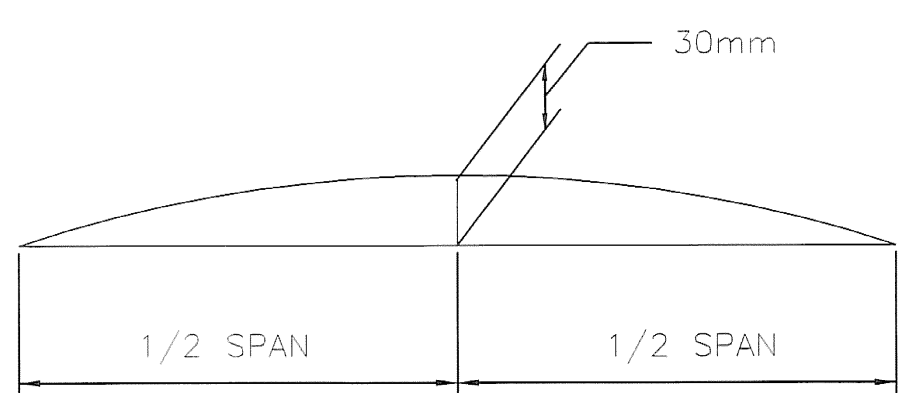
SIGN ATTACHMENT DETAIL



SIDE VIEW



SIGN MOUNTING DETAIL
VERTICAL HANGER BEAMS & U-BOLTS INCLUDED



CAMBER DIAGRAM

NOTE:

CAMBER WILL BE ACHIEVED BY SHORTENING LOWER CHORD PIPES BY AN AMOUNT SUCH THAT POSITIVE UPWARD DEFLECTION IS PRODUCED WHEN TRUSSES ARE BROUGHT TOGETHER AT SPLICES.

ALL DIMENSIONS SHOWN ARE IN MILLIMETERS (mm) UNLESS OTHERWISE NOTED. ENGLISH CONVERSION SHOWN IN [] FOR REFERENCE ONLY.



| REVISIONS | | |
|-----------|-------------------|------|
| No. | Remarks | Date |
| 0 | Initial submittal | |

HIGHWAY SAFETY CORP.
GLASTONBURY, CT

TRI-CHORD SIGN STRUCTURE
STATE OF VERMONT
COUNTY OF CALEDONIA
INTERSTATE RTE. 91 STA.128.70 SB
PROJECT No. AC IM 091-2(73)

DESIGNED BY: P. Radice
DATE: 3/23/07
SCALE: N.T.S.
PROJECT No. 1587a
SHEET No. 1 of 8