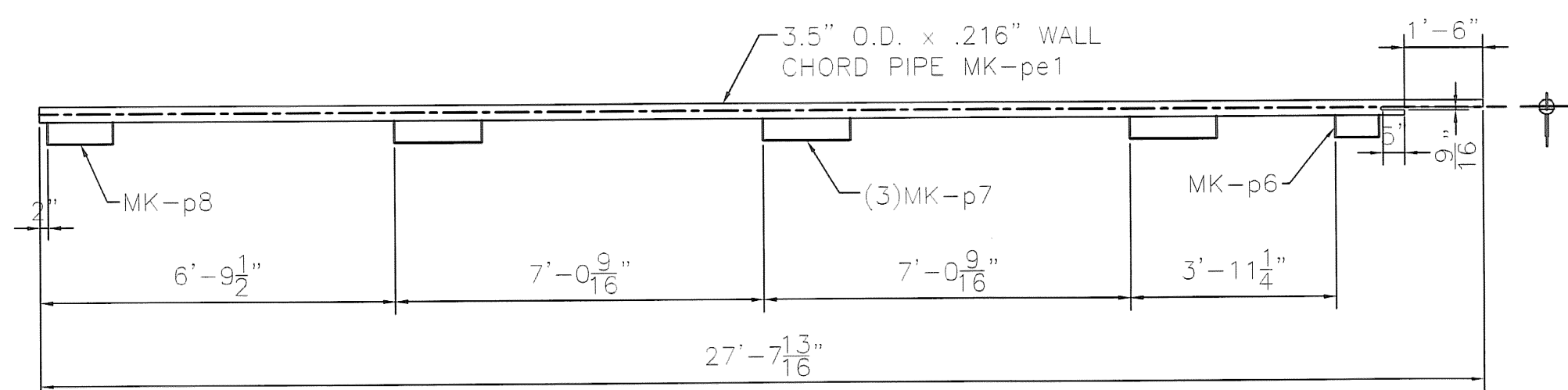
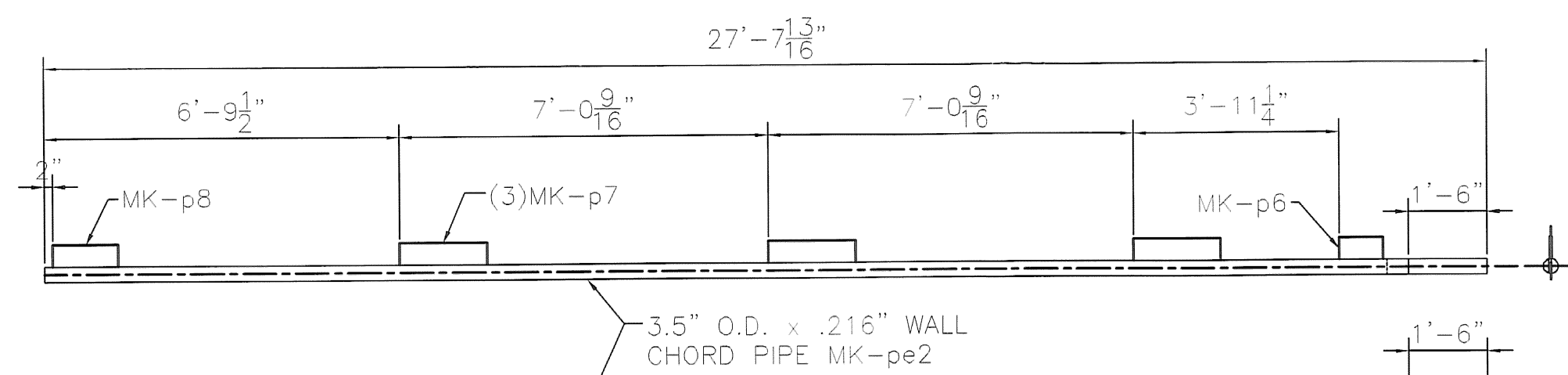


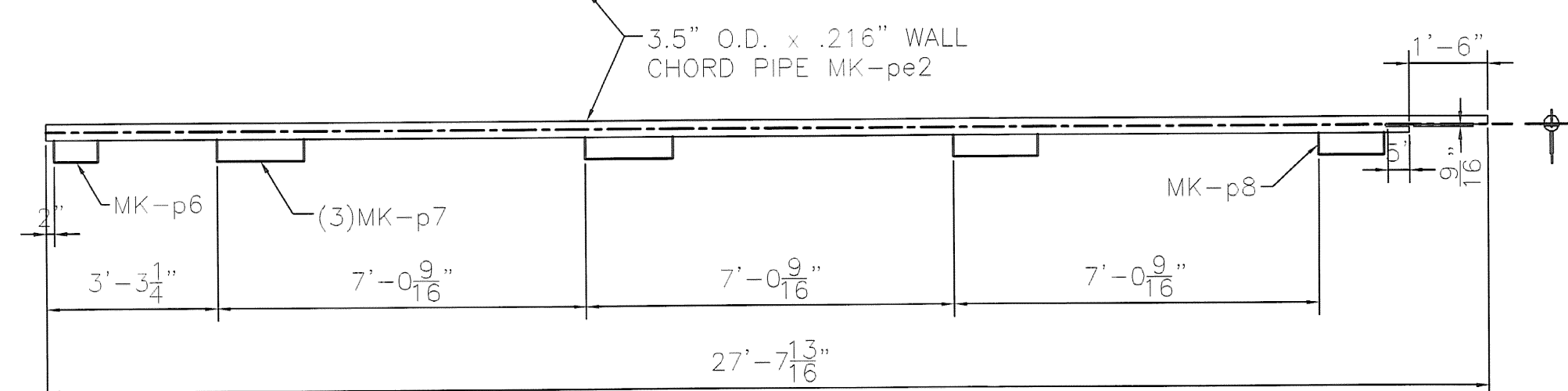
MK-A1



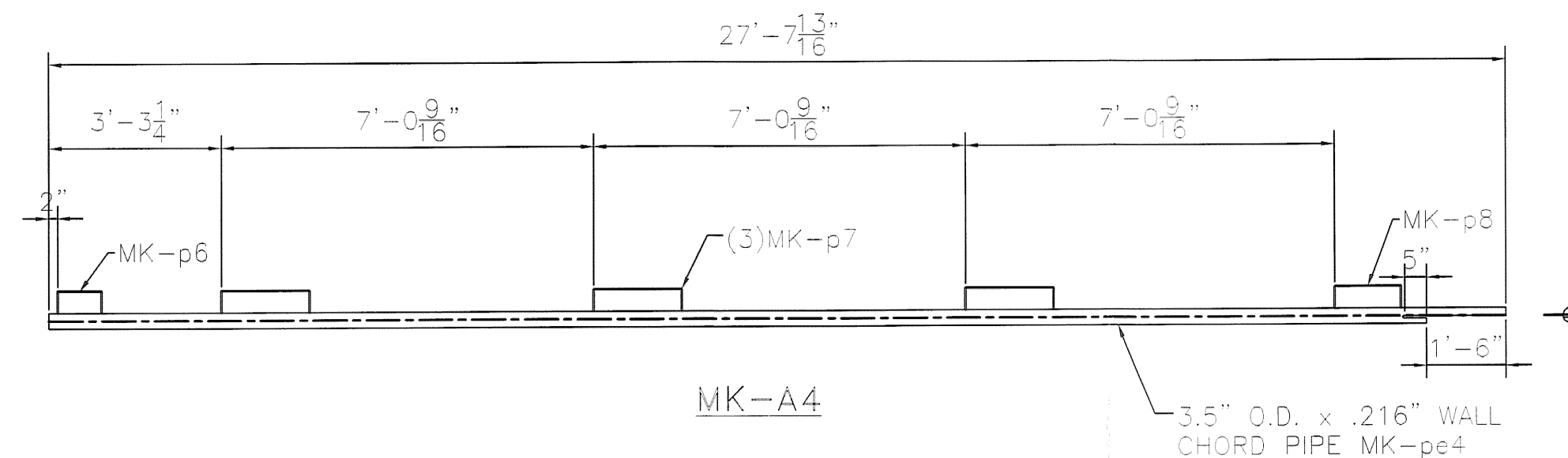
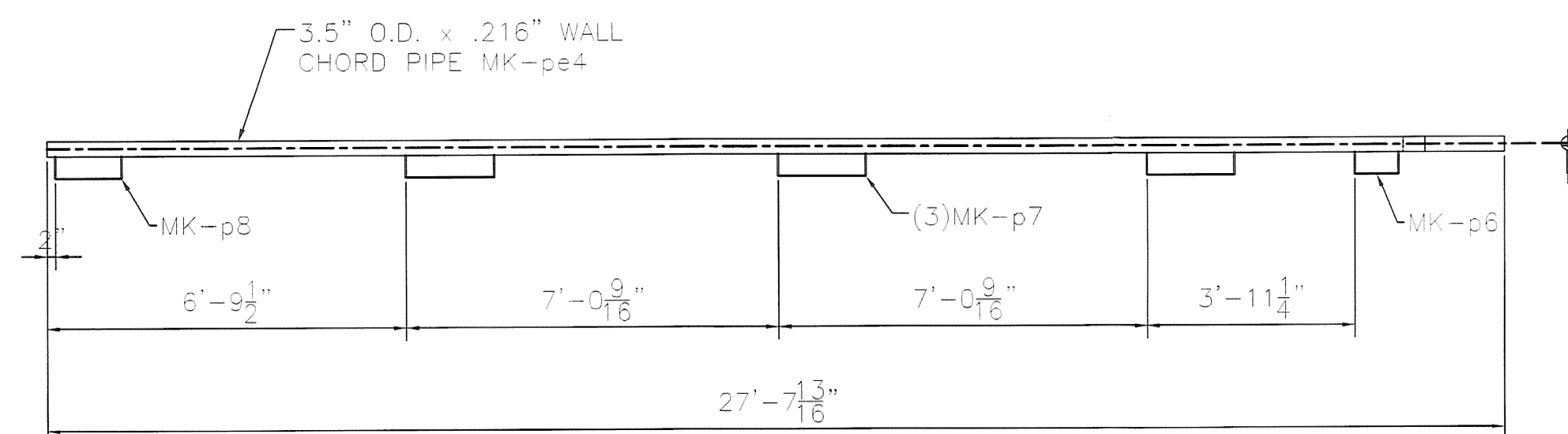
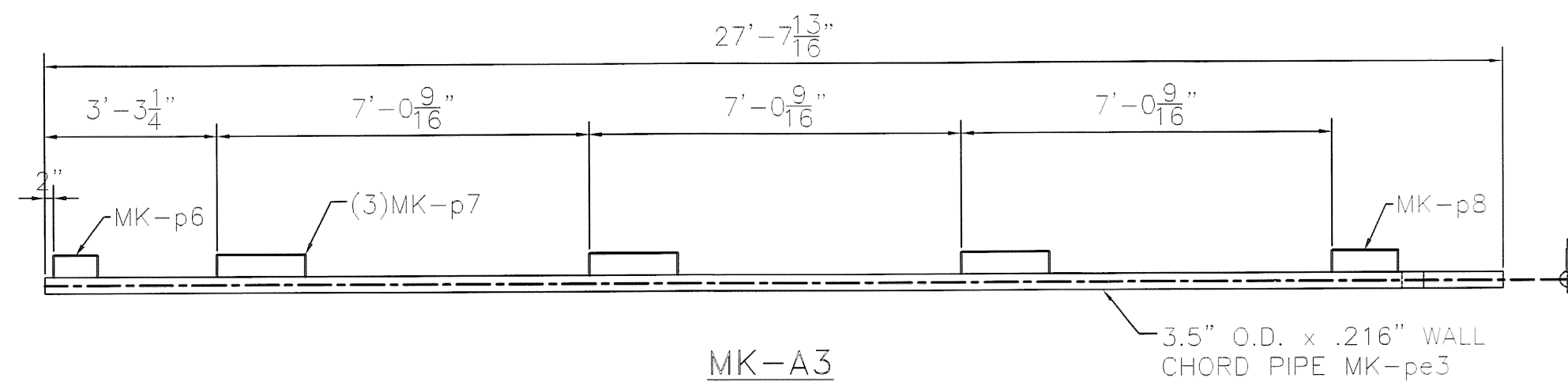
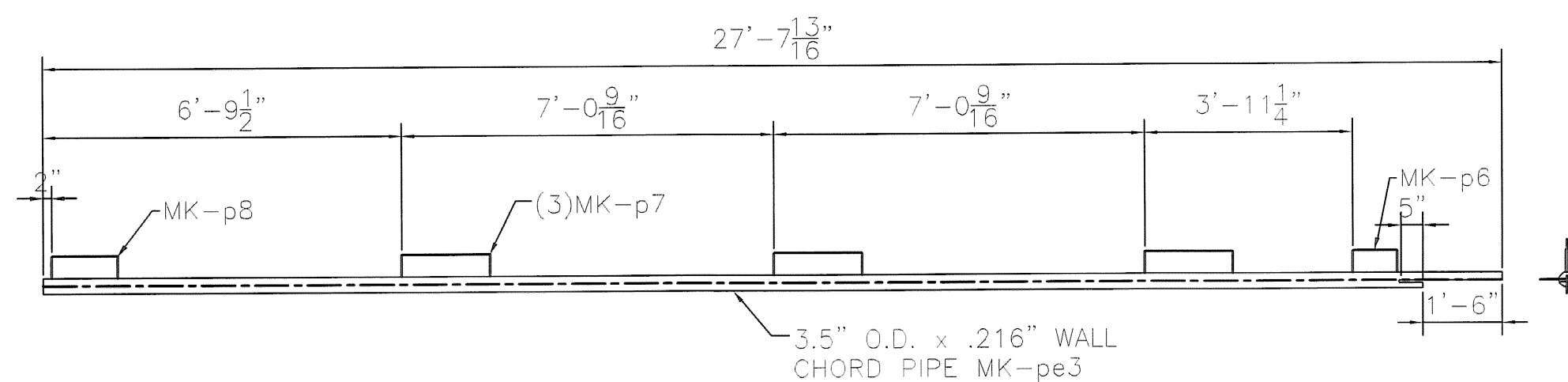
MK-A2



MK-A3



MK-A4



PROPOSED
 GAC
 MAY 15 2007
 X
 RVS 06/15/07



HIGHWAY SAFETY CORP.
 GLASTONBURY, CT

CANTILEVER SIGN STRUCTURE
 STATE OF VERMONT
 COUNTY OF CALEDONIA
 INTERSTATE RTE. 91 STA.127.980 NB
 PROJECT No. AC IM 091-2(73)

DESIGNED BY: MHM
 CHECKED BY: P. Radice
 DATE: 3/23/07
 SCALE: N.T.S.
 DRAWING NO.: 1587b
 SHEET NO.: 3 of 6

REVISIONS		
No.	Remarks	Date
0	Initial submittal	